

27 (05.00)-COMMUNICATIONS GENERAL SYMBOL LEGEND	CONDUIT SIZE	CABLE TYPE
EXPPOSED CONDUIT OR RACEWAY SYSTEM.	AS SHOWN ON DRWS.	AS SHOWN ON DRWS.
CONCEALED CONDUIT OR RACEWAY.	AS SHOWN ON DRWS.	AS SHOWN ON DRWS.
CONDUIT OR RACEWAY INSTALLED UNDERGROUND OR BELOW SLAB.	AS SHOWN ON DRWS.	AS SHOWN ON DRWS.
EXISTING CONDUIT OR RACEWAY TO REMAIN. NOTE: FOR PURPOSES OF CLARITY EXISTING CONDUIT AND RACEWAYS ON DEMONSTRATION DRAWINGS ARE SHOWN WITH CONTINUOUS LINETYPE. DASHED LINETYPE IS SHOWN ON RENOVATION DRAWINGS TO DIFFERENTIATE EXISTING FROM NEW.	AS SHOWN ON DRWS.	AS SHOWN ON DRWS.
4" X 4" FLUSH OUTLET BOX WITH SINGLE GANG PLATE AND CONDUIT EXTENDED TO NEAREST ACCESSIBLE CEILING SPACE. INSTALLED AT 18" UNLESS NOTED OTHERWISE. WALL PLATE COLOR AS SPECIFIED BY ARCHITECT UNLESS NOTED OTHERWISE.	MIN. 3/4" UNLESS NOTED OTHERWISE	N/A
4" X 4" FLUSH OUTLET BOX WITH SINGLE GANG PLATE. INSTALLED FLUSH IN CEILING. INSTALLED CENTERED IN CEILING TILE. WALL PLATE COLOR AS SPECIFIED BY ARCHITECT UNLESS NOTED OTHERWISE.	MIN. 3/4" UNLESS NOTED OTHERWISE	N/A
4" X 4" FLUSH OUTLET BOX WITH SINGLE GANG PLATE INSTALLED IN ACCESSIBLE AREA ABOVE CEILING. WALL PLATE COLOR AS SPECIFIED BY ARCHITECT UNLESS NOTED OTHERWISE.	MIN. 3/4" UNLESS NOTED OTHERWISE	N/A
4" X 4" FLUSH OUTLET BOX WITH SINGLE GANG PLATE INSTALLED IN AN EXPOSED, ACCESSIBLE LOCATION. WALL PLATE COLOR AS SPECIFIED BY ARCHITECT UNLESS NOTED OTHERWISE.	MIN. 3/4" UNLESS NOTED OTHERWISE	N/A
POWER POLE ATTACHED TO FLOOR OR FURNITURE. REFER TO ARCHITECTURAL AND ELECTRICAL DRAWINGS FOR ADDITIONAL INFORMATION.	N/A	AS SHOWN ON DRWS.
COMMUNICATIONS SYSTEMS GROUND BUS BAR BONDING CONDUCTOR CONNECTION TO EQUIPMENT.	AS SHOWN ON DRWS.	REFER TO DETAILS
DOWN THROUGH INSIDE OF WALL TO FLOOR BELOW.	AS SHOWN ON DRWS.	N/A
UP THROUGH INSIDE OF WALL TO FLOOR ABOVE.	AS SHOWN ON DRWS.	N/A

COMMUNICATIONS GENERAL SYMBOL LEGEND NOTES

GENERAL

1. THE COMMUNICATIONS GENERAL SYMBOL LEGEND AND ASSOCIATED NOTES APPLY TO ALL COMMUNICATIONS SYSTEM SHOWN WITHIN THESE DRAWINGS.
  2. READ SPECIFICATIONS FOR ALL COMMUNICATIONS SYSTEMS AND OTHER APPLICABLE SECTIONS. MAKE MODIFICATIONS AS NECESSARY TO PROPERLY COMPLETE ALL WORK REQUIREMENTS.
  3. IT IS THE CONTRACTOR'S RESPONSIBILITY TO COORDINATE THE WORK OF ALL TRADES ON THE PROJECT. THE CONTRACTOR SHALL ENSURE THAT DEVICES AND EQUIPMENT FOR ALL SYSTEMS DEVICES ARE INSTALLED LOGICALLY AND IN KEEPING WITH THE DESIGN INTENT. THE CONTRACTOR SHALL ENSURE THAT ALL DEVICES AND EQUIPMENT ARE PROPERLY COORDINATED WITH OTHER DIVISIONS DEVICES AND EQUIPMENT (E.G. DOORS, WINDOWS, MILLWORK, LIGHTING FIXTURES, ETC.) AS NECESSARY TO ENSURE A CORRECT AND FULLY COORDINATED INSTALLATION. ANY REQUIRED REMEDIAL WORK TO CORRECT COORDINATION DEFICIENCIES SHALL BE AT THE CONTRACTOR'S SOLE EXPENSE.
  4. DUE TO ARCHITECTURAL ASPECTS OF THE BUILDING, THE CONTRACTOR SHALL FIELD THE ROUTING OF CABLES FOR VARIOUS SYSTEMS INSTALLED USING "J" TYPE HOOKS (I.E. VOICE, DATA, TV, ETC.) WHERE INSTALLED CABLING PENETRATES ABOVE CEILING WALLS (RATED OR NOT) THE CONTRACTOR SHALL PROVIDE AND INSTALL FIRESTOPPED SLEEVES FOR ROUTING OF CABLES. SIZE AND QUANTITY OF SLEEVES AS NECESSARY FOR INSTALLED CABLES PLUS ONE (1) SPARE FOR THE OWNER'S FUTURE USE.
  5. "J" HOOK TYPE ROUTING SHALL BE ACCOMPLISHED IN A LOGICAL MANNER THAT PROVIDES A PATHWAY THAT IS ACCESSIBLE, INDEPENDENTLY SUPPORTS INSTALLED CABLING (E.G. CABLES NOT LAYING ON OR SUPPORTED BY OTHER EQUIPMENT, MATERIALS, ETC.), AND IS NOT IN CONFLICT WITH OTHER BUILDING SYSTEMS. J-HOOK SPACING SHALL NOT EXCEED FOUR FEET (5').
  6. REFER TO SPECIFICATIONS, RISER DIAGRAMS, BLOCK DIAGRAMS, AND DETAILS AS NECESSARY TO UNDERSTAND THE FULL INTENT AND SCOPE OF THE INDIVIDUAL SYSTEMS.
  7. CONTRACTOR SHALL EXAMINE AND BECOME FAMILIAR WITH THOSE AREAS OF THE BUILDING AND SITE AFFECTED BY THIS PROJECT PRIOR TO SUBMITTING A BID PRICE. SUBMISSION OF A BID PRICE WITHOUT BEING CONSIDERED EVIDENCE THAT THE CONTRACTOR HAS BECOME FAMILIAR WITH THE EXISTING CONDITIONS AND DIFFICULTIES THAT MAY AFFECT THE WORK OF THIS PROJECT. CLAIMS FOR LABOR, EQUIPMENT OR MATERIALS REQUIRED BECAUSE OF DIFFICULTIES ENCOUNTERED BY THE CONTRACT WILL NOT BE ACCEPTABLE.
  8. RACEWAY, POWER AND GROUNDING REQUIREMENTS SHALL COMPLY WITH APPLICABLE SPECIFICATION SECTIONS. WHERE A CONFLICT ARISES THE MOST STRINGENT REQUIREMENT SHALL APPLY.
  9. WHERE MINIMUM CONDUIT SIZE IS NOTED CONTRACTOR SHALL CONFIRM ACTUAL CONDUIT SIZE AND QUANTITY WITH SYSTEM INSTALLER PRIOR TO BID. CONDUITS SHALL BE SIZED IN ACCORDANCE WITH THE NATIONAL ELECTRIC CODE (NEC) AND OTHER CODES AND STANDARDS AS OUTLINED IN THE SPECIFICATIONS. THE CONTRACTOR SHALL INCREASE CONDUIT SIZE AS NECESSARY BASED ON QUANTITY AND SIZE OF CABLES TO BE INSTALLED. REFER TO SPECIFICATIONS.
  10. PROVIDE AND INSTALL CABLEWIRING AS RECOMMENDED BY MANUFACTURER AND APPLICABLE CODES AND STANDARDS, UNLESS OTHERWISE CALLED FOR ON DRAWINGS OR IN SPECIFICATIONS. WHERE CONFLICTS EXISTING, THE LARGEST SIZE CALLED FOR SHALL BE USED.
  11. SIZE PATHWAYS AS RECOMMENDED BY MANUFACTURER AND APPLICABLE CODES AND STANDARDS, UNLESS OTHERWISE CALLED FOR ON DRAWINGS OR IN SPECIFICATIONS. WHERE CONFLICTS EXISTING, THE LARGEST SIZE CALLED FOR SHALL BE USED.
  12. SIZE TERMINAL CABINETS AS REQUIRED TO HOUSE ALL REQUIRED EQUIPMENT, MATERIALS, TERMINATIONS, AND FIFTY PERCENT (50%) SPARE CAPACITY.
  13. CONTRACTOR SHALL COMPLY WITH ALL APPLICABLE CODE REQUIREMENTS WHETHER OR NOT SPECIFICALLY NOTED IN THE DRAWINGS AND SPECIFICATIONS. COORDINATE WITH THE AUTHORITY HAVING JURISDICTION (AHJ) AS NECESSARY.
  14. COMPLY WITH ADA REQUIREMENTS.
  15. EMPTY RACEWAYS SHALL HAVE A NYLON PULLSTRING (150 LBS. MIN) INSTALLED.
  16. ALL RACEWAYS SHALL BE LABELED ON BOTH ENDS INDICATING OTHER ENDS LOCATION.
  17. RACEWAY TERMINATIONS IN TERMINAL CABINETS OR WHERE EXPOSED SHALL BE PROVIDED WITH BUSHINGS. BUSHINGS SHALL NOT BE MODIFIED OR CUT FOR INSTALLATION PURPOSES.
  18. ALL RACEWAY TERMINATIONS SHALL HAVE BUSHINGS AND METALLIC RACEWAY TERMINATIONS SHALL BE GROUNDED.
  19. PROVIDE FIRESTOPPING ON ALL CONDUITS PENETRATING A RATED WALL OR FLOOR. FIRESTOPPING MATERIALS OR DEVICES SHALL HAVE THE SAME FIRE RESISTANCE RATING AS THE WALL OR FLOOR WHICH THEY ARE TO PROTECT.
  20. SPLICES IN COMMUNICATION SYSTEMS CABLES SHALL NOT BE ALLOWED UNLESS SPECIFICALLY NOTED ON DRAWINGS OR APPROVED IN WRITING BY DESIGNER.
- GENERAL
21. ALL COMMUNICATION SYSTEMS OUTLETS WITH ASSOCIATED POWER OUTLETS SHALL BE MOUNTED AT THE SAME HEIGHT AND ORIENTATION AS POWER OUTLETS UNLESS SPECIFICALLY NOTED OTHERWISE.
  22. LOCATION OF DEVICES ON PLANS IS APPROXIMATE ONLY. VERIFY EXACT LOCATIONS OF DEVICES WITH ARCHITECT AND DESIGNER PRIOR TO ROUGH-IN. COORDINATE WITH MILLWORK AS NECESSARY.
  23. COORDINATE EXACT LOCATION OR OUTLETS AND DEVICES WITH OTHER WORK (I.E. MILLWORK, CABINETS, DOORS, WINDOWS ETC.) PRIOR TO ROUGH-IN.
  24. PROVIDE AND INSTALL CABLE TO ALL OUTLETS AND DEVICES UNLESS SPECIFICALLY NOTED OTHERWISE.
  25. ALL RACEWAYS AND CABLES TO BE CONCEALED UNLESS SPECIFICALLY NOTED OTHERWISE OR APPROVED IN WRITING BY DESIGNER. SEE SPECIFICATIONS AND GENERAL NOTES FOR ADDITIONAL INFORMATION.

COMMUNICATIONS GENERAL SYMBOL LEGEND NOTES CONTINUED.

26. THE DESIGN INTENT IS THAT, WITH THE EXCEPTION OF BACKBONE CABLING AND CABLING TO OUTLETS AND DEVICES, SPECIFICALLY SHOWN AS BEING ROUTED UNDERGROUND OR IN SLABS, HORIZONTAL RACEWAYS AND THE ASSOCIATED CABLING TO OUTLETS AND OTHER DEVICES SHALL BE INSTALLED ABOVE GROUND AND HIDDEN IN CEILING CAVITIES OR OTHER INTERSTITIAL SPACES. WHERE CABLES ARE INSTALLED BELOW GRADE THEY SHALL BE RATED FOR WET LOCATIONS (I.E. GEL-FILLED OR WATER BLOCKER) CONTRACTOR DESIRES TO ROUTE CONDUITS AND CABLING TO OUTLETS AND DEVICES IN ABOVE-GRADE SLABS, INSTEAD OF IN CEILING CAVITIES AS OUTLINED ABOVE, HE SHALL OBTAIN THE WRITTEN APPROVAL OF THE DESIGNER PRIOR TO ROUGH-IN.
  27. WHERE BOXES OR DEVICES ARE INSTALLED BEHIND INACCESSIBLE CEILING OR WALLS CONTRACTOR SHALL SERVED AND INSTALL A PROPERLY SIZED ACCESS PANEL. WHERE CEILING OR WALL IS RATED ACCESS PANEL RATING SHALL MATCH WALL RATING.
  28. CONTRACTOR SHALL COORDINATE ITEMS ABOVE THE CEILING IN A MANNER THAT PREVENTS CONFLICTS AND MAINTAINS ACCESSIBILITY.
- EXISTING CONDITIONS
1. VERIFY EXISTING CONDITIONS PRIOR TO COMMENCEMENT OF ANY WORK.
  2. WHERE FIELD CONDITIONS VARY SUBSTANTIALLY FROM THOSE SHOWN IN THE CONTRACT DOCUMENTS CONTRACTOR SHALL NOTIFY DESIGNER IN WRITING UPON DISCOVERY.
  3. ALL EXISTING COMMUNICATIONS SYSTEMS DEVICES AND CABLING NOT SHOWN ON THE DRAWINGS ARE THE CONTRACTOR'S RESPONSIBILITY TO IDENTIFY EXISTING CIRCUITRY AND DEVICES TO REMAIN AND PROTECT DURING CONSTRUCTION. CONTRACTOR SHALL REMOVE AND REINSTALL EXISTING TO REMAIN AS NECESSARY TO ACCOMPLISH THE WORK OF THE PROJECT.
  4. DASHED LINES (I.E. - - -) AND SYMBOLS REPRESENT EITHER EXISTING TO REMAIN OR ITEMS PROVIDED AND INSTALLED BY OTHERS OUTSIDE THIS CONTRACT. OTHER LINES REPRESENT WORK TO BE PROVIDED AND INSTALLED BY CONTRACTOR.

27 (00.00)-VOICE/DATA LOCAL INFRA. SYMBOL LEGEND	CONDUIT SIZE	CABLE TYPE
VOICE/DATA WORKSTATION OUTLET. FLUSH MOUNTED IN WALL 18" A.F.F. UNLESS NOTED OTHERWISE. 4" X 4" OUTLET BOX WITH SINGLE GANG PLATE. ONE (1) CONDUIT ROUTED FROM OUTLET TO NEAREST ACCESSIBLE CEILING AREA IN ROOM BEING SERVED. PLATE SHALL ACCEPT UP TO SIX (6) VOICE/DATA JACKS. PROVIDE AND INSTALL QUANTITY OF JACKS INDICATED BY "X" ADJACENT TO SYMBOL ON PLANS FOR EACH DEVICE LOCATION. PROVIDE AND INSTALL ONE (1) CABLE TO EACH JACK. ALL EIGHT CONDUCTORS OF EACH CABLE TO BE PROPERLY TERMINATED. LEAVE A MINIMUM OF TWELVE INCHES (12") OF CABLE SLACK NEATLY COILED INSIDE OUTLET BOX AND FIFTEEN FEET (15') IN COMMUNICATIONS ROOM. MAINTAIN CABLE BEND RADIUS, JACKET REMOVAL, AND PAIR UNTWISTING REQUIREMENTS AS REQUIRED BY EIA/TIA.	1" MIN.	CATEGORY 6 CABLES; QUANTITY AS SHOWN ON DRAWINGS (IF NO QUANTITY SHOWN ADJACENT TO SYMBOL ON PLANS THEN PROVIDE AND INSTALL BLANK, STAINLESS STEEL PLATE)
WIRELESS ACCESS POINT (WAP) OUTLET. INSTALLED FLUSH IN CEILING UNLESS NOTED OTHERWISE. INSTALLED 4" X 4" OUTLET BOX WITH SINGLE GANG PLATE AND CHASE WIPPLE ON BACK SIDE FOR ROUTING CABLES. PLATE SHALL ACCEPT UP TO SIX (6) DATA JACKS. PROVIDE AND INSTALL QUANTITY OF JACKS TO MATCH NUMBER OF CABLES. ALL EIGHT CONDUCTORS OF EACH CABLE TO BE PROPERLY TERMINATED. LEAVE A MINIMUM OF TWELVE INCHES (12") OF CABLE SLACK NEATLY COILED INSIDE OUTLET BOX. MAINTAIN CABLE BEND RADIUS, JACKET REMOVAL, AND PAIR UNTWISTING REQUIREMENTS AS REQUIRED BY EIA/TIA.	1" MIN.	ONE (1) CATEGORY 6 CABLE
TELEPHONE MOUNTED IN WALL 18" A.F.F. UNLESS NOTED OTHERWISE. SINGLE GANG PLATE WITH DOUBLE GANG OUTLET BOX. ONE (1) CONDUIT ROUTED FROM OUTLET TO NEAREST ACCESSIBLE CEILING AREA IN ROOM BEING SERVED. PLATE SHALL ACCEPT UP TO SIX (6) VOICE/DATA JACKS. PROVIDE AND INSTALL ONE (1) JACK. PROVIDE AND INSTALL ONE (1) CABLE TO EACH JACK. ALL EIGHT CONDUCTORS OF CABLE TO BE PROPERLY TERMINATED. LEAVE A MINIMUM OF TWELVE INCHES (12") OF CABLE SLACK NEATLY COILED INSIDE OUTLET BOX. MAINTAIN CABLE BEND RADIUS, JACKET REMOVAL, AND PAIR UNTWISTING REQUIREMENTS AS REQUIRED BY EIA/TIA.	1" MIN.	ONE (1) CATEGORY 6 CABLE
WALL MOUNTED TELEPHONE OUTLET. FLUSH MOUNTED IN WALL AT 48" A.F.F. UNLESS NOTED OTHERWISE. SINGLE GANG PLATE WITH DOUBLE GANG OUTLET BOX. ONE (1) CONDUIT ROUTED FROM OUTLET TO NEAREST ACCESSIBLE CEILING AREA IN ROOM BEING SERVED. PLATE SHALL ACCEPT UP TO SIX (6) VOICE/DATA JACKS. PROVIDE AND INSTALL ONE (1) JACK. PROVIDE AND INSTALL ONE (1) CABLE TO EACH JACK. ALL EIGHT CONDUCTORS OF CABLE TO BE PROPERLY TERMINATED. LEAVE A MINIMUM OF TWELVE INCHES (12") OF CABLE SLACK NEATLY COILED INSIDE OUTLET BOX. MAINTAIN CABLE BEND RADIUS, JACKET REMOVAL, AND PAIR UNTWISTING REQUIREMENTS AS REQUIRED BY EIA/TIA.	1" MIN.	ONE (1) CATEGORY 6 CABLE
VOICE/DATA WORKSTATION OUTLET IN FLOOR BOX. REFER TO VOICE/DATA WORKSTATION OUTLET SYMBOL. REFER TO ELECTRICAL DRAWINGS AND SPECS FOR INFORMATION ON STANDARD FLOOR BOXES. REFER TO DIVISION 27 AND 28 SPECS FOR SPECIALTY FLOOR BOXES.	N/A	N/A
CABLE TRAY SYSTEM. INSTALLED WHERE SHOWN ON DRAWINGS. REFER TO SPECS FOR CABLE TRAY TYPE.	N/A	N/A
WALL MOUNTED BACKBOARD, 8" HIGH, BOTTOM EDGE 4" A.F.F. INSTALLED ALL ROUND ROOM AS SHOWN ON THE DRAWINGS. REFER TO SPECIFICATIONS FOR ADDITIONAL REQUIREMENTS.	N/A	N/A
SYSTEM GROUND BUS BAR. INSTALL 20 AWG BONDING CONDUCTOR FROM GROUND BUS BAR TO BUILDING GROUNDING SYSTEMS.	N/A	N/A
VOICE/DATA FREE-STANDING EQUIPMENT RACK. FOOTPRINT SECURED TO STRUCTURAL FLOOR PER MANUFACTURER'S RECOMMENDATIONS.	N/A	N/A
VOICE/DATA CABLE INFRASTRUCTURE SYSTEM EQUIPMENT CABINET. FLOOR MOUNTED, FREE-STANDING. INSTALLED IN LOCATION SHOWN ON DRAWINGS.	N/A	N/A
VOICE SYSTEM CABLES IN RACEWAY UNLESS OTHERWISE NOTED. INCREASE MIN. CONDUIT SIZE AND QUANTITY PER NEC FOR QUANTITY AND SIZE OF CABLES INSTALLED.	HORIZONTAL 1" MIN. BACKBONE 4" MIN.	AS SHOWN ON DRAWINGS
DATA SYSTEM CABLES IN RACEWAY UNLESS OTHERWISE NOTED. INCREASE MIN. CONDUIT SIZE AND QUANTITY PER NEC FOR QUANTITY AND SIZE OF CABLES INSTALLED.	HORIZONTAL 1" MIN. BACKBONE 4" MIN.	AS SHOWN ON DRAWINGS

VOICE/DATA CABLE INFRASTRUCTURE SYSTEM SYMBOL LEGEND NOTES

GENERAL

1. REFER TO COMMUNICATIONS GENERAL SYSTEM LEGEND AND GENERAL NOTES.
2. WIRE AND CABLE SHALL BE INSTALLED IN J-HOOK ASSEMBLIES AND CABLE TRAYS AS SHOWN ON THE DRAWINGS ABOVE ACCESSIBLE (DROP) CEILINGS. WIRE AND CABLE INSTALLED IN WALL CAVITIES, ABOVE INACCESSIBLE CEILINGS, OR IN AREAS OPEN TO STRUCTURE (E.G. NOT INSTALLED ABOVE ACCESSIBLE (DROP) CEILINGS) SHALL BE IN CONDUIT. ALL BACKBONE CABLING SHALL BE IN A COMPLETE CONDUIT SYSTEM.
3. PROVIDE AND INSTALL SYSTEM COMPLETE WITH ALL EQUIPMENT, DEVICES, MATERIALS, CABLES, PATHWAYS (I.E. RACEWAYS, CONDUITS, BOXES, ETC.), TERMINATIONS, AND TESTING.
4. ALL VOICE/DATA CABLE INFRASTRUCTURE SYSTEM WALL OUTLET BOXES SHALL BE PROVIDED WITH FLUSH OUTLET FACEPLATE.

27 (41.13)-AUDIO/VIDEO SYSTEMS SYMBOL LEGEND	CONDUIT SIZE	CABLE TYPE
CEILING MOUNTED SPEAKER ASSEMBLY. SPEAKER ASSEMBLY TO INCLUDE SPEAKER, TRANSFORMER, GRILLE, BACK BOX, AND TILE BRIDGE. SPEAKER ASSEMBLY TO BE MOUNTED FLUSH IN CEILING. WHERE INSTALLED IN CEILING TILE, SPEAKER ASSEMBLY SHALL BE CENTERED ON TILE.	3/4" MIN.	ONE (1) TWISTED PAIR CABLE. AWG. SIZED FOR LOAD. SEE SPECS
WALL MOUNTED AUDIO ATTENUATOR. SINGLE-GANG, STAINLESS STEEL PLATE WITH INTEGRAL STEPPED ATTENUATOR. SHALL INCLUDE ENGRAVED AND FILLED "VOLUME CONTROL" LABEL. FLUSH MOUNT. INSTALLED 48" A.F.F. TO CENTER.	3/4" MIN.	ONE (1) TWISTED PAIR CABLE. AWG. SIZED FOR LOAD. SEE SPECS
VIDEO INPUT (OUTPUT) PLATE. SINGLE-GANG, STAINLESS STEEL. FLUSH MOUNTED. INSTALLED AT 18" A.F.F. UNLESS OTHERWISE NOTED.	1" MIN.	REFER TO BLOCK DIAGRAM
VIDEO MONITOR WITH OUTLET AND PATCH CORD. SINGLE-GANG, STAINLESS STEEL. OUTLET PLATE WITH RG6H CONNECTOR. CONNECTOR STYLE TO MATCH CONNECTOR ON MONITOR. OUTLET TO BE INSTALLED FLUSH IN WALL UNLESS OTHERWISE NOTED. MONITOR MOUNTING HEIGHT TO BE 8" TO BOTTOM OF ASSEMBLY. OUTLET TO BE INSTALLED AT HEIGHT THAT IS CENTERED ON REAR OF MONITOR AT SAME HEIGHT AS POWER OUTLET.	ONE (1) 1" VIDEO; ONE (1) 3/4" AUDIO MIN.	REFER TO BLOCK DIAGRAM
VIDEO PROJECTOR WITH STRUCTURAL MOUNT, VIBRATION ISOLATORS, OUTLET PLATE, AND PATCH CORDS. TWO-GANG, STAINLESS STEEL. OUTLET PLATE WITH RG6H CONNECTOR. CONNECTOR STYLE TO MATCH CONNECTOR ON MONITOR. OUTLET TO BE INSTALLED FLUSH IN CEILING UNLESS OTHERWISE NOTED. PROJECTOR TO BE CEILING (TILE) WALL MOUNTED AS NOTED ON DRAWINGS. PROJECTOR MOUNTING HEIGHT TO BE AS REQUIRED FOR PROPER FOCUSING OF VIDEO IMAGE ON PROJECTION SCREEN.	ONE (1) 1" VIDEO; ONE (1) 3/4" CONTROL MIN.	REFER TO BLOCK DIAGRAM
AUDIO/VIDEO SYSTEM EQUIPMENT CABINET (AVC). FLOOR MOUNTED, FREE-STANDING. INSTALLED IN LOCATION SHOWN ON DRAWINGS.	N/A	N/A
AUDIO SYSTEM CABLES IN RACEWAY UNLESS OTHERWISE NOTED. SIZE CONDUIT PER NATIONAL ELECTRIC CODE FOR QUANTITY AND SIZE OF CABLES INSTALLED.	3/4" MIN.	AS SHOWN ON DRAWINGS
VIDEO SYSTEM CABLES IN RACEWAY UNLESS OTHERWISE NOTED. SIZE CONDUIT PER NATIONAL ELECTRIC CODE FOR QUANTITY AND SIZE OF CABLES INSTALLED.	1" MIN.	AS SHOWN ON DRAWINGS
CONTROL SYSTEM CABLES IN RACEWAY UNLESS OTHERWISE NOTED. SIZE CONDUIT PER NATIONAL ELECTRIC CODE FOR QUANTITY AND SIZE OF CABLES INSTALLED.	3/4" MIN.	AS SHOWN ON DRAWINGS

AUDIO/VIDEO SYSTEM SYMBOL LEGEND NOTES

GENERAL

1. REFER TO COMMUNICATIONS GENERAL SYSTEM LEGEND AND GENERAL NOTES.
  2. WIRE AND CABLE SHALL BE INSTALLED IN J-HOOK ASSEMBLIES ABOVE ACCESSIBLE (DROP) CEILINGS AND CABLE INSTALLED IN WALL CAVITIES, ABOVE INACCESSIBLE CEILINGS, OR IN AREAS OPEN TO STRUCTURE (E.G. NOT INSTALLED ABOVE ACCESSIBLE (DROP) CEILINGS) SHALL BE IN CONDUIT. ALL BACKBONE CABLING SHALL BE IN A COMPLETE CONDUIT SYSTEM.
  3. PROVIDE AND INSTALL SYSTEM COMPLETE WITH ALL EQUIPMENT, DEVICES, MATERIALS, CABLES, PATHWAYS (I.E. RACEWAYS, CONDUITS, BOXES, ETC.), PROGRAMMING, AND TESTING.
  4. MINIMUM RACEWAY SIZE SHALL BE 3/4" UNLESS OTHERWISE NOTED.
  5. COORDINATE WITH THE FIRE ALARM SYSTEM INSTALLER TO PROVIDE A SIGNAL TO MUTE THE AUDIO SYSTEM UPON ALARM.
- EXISTING CONDITIONS
6. PROVIDE ALL PROGRAMMING REVISIONS, FIRMWARE UPDATES, ETC. FOR EXISTING AUDIO/VIDEO EQUIPMENT AS REQUIRED TO ACCOMPLISH THE WORK OF THIS PROJECT.

27 (50.00)-TV DISTRIBUTION SYSTEM SYMBOL LEGEND	CONDUIT SIZE	CABLE TYPE
TV DISTRIBUTION SYSTEM OUTLET WITH PATCH CORD. SINGLE-GANG, STAINLESS STEEL PLATE WITH ONE (1) 75" TYPE CONNECTOR. FLUSH MOUNTED. INSTALLED AT 18" A.F.F. UNLESS NOTED OTHERWISE.	3/4" MIN.	ONE (1) RG6 COAXIAL CABLE
TV DISTRIBUTION SYSTEM CABLES IN RACEWAY UNLESS OTHERWISE NOTED. SIZE CONDUIT PER NATIONAL ELECTRIC CODE FOR QUANTITY AND SIZE OF CABLES INSTALLED.	HORIZONTAL 3/4" MIN. BACKBONE 2" MIN.	HORIZONTAL RG6 COAX. BACKBONE RG11 COAX

TV DISTRIBUTION SYSTEM SYMBOL LEGEND NOTES

GENERAL

1. REFER TO COMMUNICATIONS GENERAL SYSTEM LEGEND AND GENERAL NOTES.
2. WIRE AND CABLE SHALL BE INSTALLED IN J-HOOK ASSEMBLIES ABOVE ACCESSIBLE (DROP) CEILINGS. WIRE AND CABLE INSTALLED IN WALL CAVITIES, ABOVE INACCESSIBLE CEILINGS, OR IN AREAS OPEN TO STRUCTURE (E.G. NOT INSTALLED ABOVE ACCESSIBLE (DROP) CEILINGS) SHALL BE IN CONDUIT. ALL BACKBONE CABLING SHALL BE IN A COMPLETE CONDUIT SYSTEM.
3. PROVIDE AND INSTALL SYSTEM COMPLETE WITH ALL EQUIPMENT, DEVICES, MATERIALS, CABLES, PATHWAYS (I.E. RACEWAYS, CONDUITS, BOXES, ETC.), PROGRAMMING, AND TESTING.
4. ALL TV DISTRIBUTION SYSTEM WALL OUTLET BOXES SHALL BE PROVIDED WITH FLUSH OUTLET FACEPLATE.
5. PROVIDE AND INSTALL ONE (1) RG-6 CABLE FOR EACH ACTIVE CONNECTOR IN EACH TV DISTRIBUTION SYSTEM OUTLET. HOMERUN AS NOTED ON DRAWINGS.

28 (22.10)-ACCESS CONTROL SYMBOL LEGEND	CONDUIT SIZE	CABLE TYPE
DOOR CONTACT. FLUSH MOUNTED. INSTALLED IN CONDUIT ABOVE ACCESSIBLE (DROP) CEILING. PROVIDE AND INSTALL ONE (1) DOOR CONTACT FOR SINGLE DOORS. PROVIDE AND INSTALL ONE (1) DOOR CONTACT ON EACH LEAF OF DOUBLE DOORS.	3/4" MIN.	PER EQUIP. MANUF.
CARD READER. FLUSH MOUNTED. INSTALLED AT 48" A.F.F. UNLESS OTHERWISE NOTED.	3/4" MIN.	PER EQUIP. MANUF.
MOTION DETECTOR. WALL MOUNTED. INSTALLED UNLESS OTHERWISE NOTED. SIZE CONDUIT PER NATIONAL ELECTRIC CODE FOR QUANTITY AND SIZE OF CABLES INSTALLED.	3/4" MIN.	PER EQUIP. MANUF.
ACCESS CONTROL SYSTEM CONTROL PANEL. WALL MOUNTED.	3/4" MIN.	PER EQUIP. MANUF.
ACCESS CONTROL SYSTEM CABLES IN RACEWAY UNLESS OTHERWISE NOTED. SIZE CONDUIT PER NATIONAL ELECTRIC CODE FOR QUANTITY AND SIZE OF CABLES INSTALLED.	HORIZONTAL 3/4" MIN./ BACKBONE 2" MIN.	AS SHOWN ON DRAWINGS

ACCESS CONTROL SYSTEM SYMBOL LEGEND NOTES

GENERAL

1. REFER TO COMMUNICATIONS GENERAL SYSTEM LEGEND AND GENERAL NOTES.
2. WIRE AND CABLE SHALL BE INSTALLED IN J-HOOK ASSEMBLIES (AND CABLE TRAYS (AS SHOWN ON THE DRAWINGS)) ABOVE ACCESSIBLE (DROP) CEILINGS. WIRE AND CABLE INSTALLED IN WALL CAVITIES, ABOVE INACCESSIBLE CEILINGS, OR IN AREAS OPEN TO STRUCTURE (E.G. NOT INSTALLED ABOVE ACCESSIBLE (DROP) CEILINGS) SHALL BE IN CONDUIT. ALL BACKBONE CABLING SHALL BE IN A COMPLETE CONDUIT SYSTEM.
3. PROVIDE AND INSTALL SYSTEM COMPLETE WITH ALL EQUIPMENT, DEVICES, MATERIALS, CABLES, PATHWAYS (I.E. RACEWAYS, CONDUITS, BOXES, ETC.), PROGRAMMING, AND TESTING.
4. MINIMUM RACEWAY SIZE SHALL BE 3/4".
5. CIRCUIT ALL DEVICES TO LOCAL RESPECTIVE EQUIPMENT OR TERMINAL CABINET AS SHOWN ON THE DRAWINGS.
6. EACH DEVICE TO BE PROVIDED WITH A DEDICATED HOMERUN CABLE TO THE SYSTEM CONTROL PANEL AS SHOWN ON THE DRAWINGS. DASHY-CHAINING DEVICES (WITH THE EXCEPTION OF DOOR CONTACTS ON DUAL DOORS) SHALL NOT BE ACCEPTABLE.
7. COORDINATE CONNECTIONS REQUIRED WITH DOOR HARDWARE INSTALLER AND ELECTRICAL SUB-CONTRACTOR AS NECESSARY. PROVIDE AND INSTALL ALL EQUIPMENT AND MATERIALS AS REQUIRED FOR A COMPLETE AND FULLY FUNCTIONAL SYSTEM.

28 (31.00)-FIRE ALARM SYSTEM SYMBOL LEGEND	CONDUIT SIZE	CABLE TYPE
IONIZATION TYPE SMOKE DETECTOR. CEILING MOUNTED UNLESS OTHERWISE NOTED.	3/4" MIN.	PER EQUIP. MANUF.
PHOTOELECTRIC DUCT SMOKE DETECTOR. PROVIDED AND INSTALLED IN RETURN AIR DUCT FOR R AND INSTALLED IN SUPPLY AIR DUCT FOR S WITH SAMPLING TUBES SIZED FOR THE DUCT SURFACE MOUNTED ON SIDE OF DUCT WHERE ACCESSIBLE. WHERE DUCT DETECTORS ARE INSTALLED TO MONITOR FOR SMOKE, PROVIDE ABOVE TEN FEET CONTRACTOR SHALL PROVIDE AND INSTALL REMOTE TEST AND INDICATING STATION.	3/4" MIN.	PER EQUIP. MANUF.
MANUAL PULL STATION WITH KEY RESET AND DUAL ACTION OPERATION. FLUSH MOUNT. INSTALLED 48" A.F.F. TO TOP UNLESS OTHERWISE NOTED.	3/4" MIN.	PER EQUIP. MANUF.
RATE OF RISE HEAT DETECTOR. CEILING MOUNTED UNLESS OTHERWISE NOTED.	3/4" MIN.	PER EQUIP. MANUF.
AUDIBLE HORN WITH INTEGRAL STROBE LIGHT. FLUSH MOUNTED. INSTALLED 80" A.F.F. TO BOTTOM OF STROBE LENS UNLESS OTHERWISE NOTED.	3/4" MIN.	PER EQUIP. MANUF.
STROBE LIGHT. FLUSH MOUNTED. INSTALLED 80" A.F.F. TO BOTTOM OF STROBE LENS UNLESS OTHERWISE NOTED.	3/4" MIN.	PER EQUIP. MANUF.
BUZZER. FLUSH MOUNTED. INSTALLED 80" A.F.F. TO BOTTOM UNLESS OTHERWISE NOTED.	3/4" MIN.	PER EQUIP. MANUF.
ELECTRO-MAGNETIC WALL MOUNTED DOOR HOLDER. WALL MOUNTED 4" BELOW TOP OF DOOR EDGE UNLESS OTHERWISE NOTED.	3/4" MIN.	PER EQUIP. MANUF.
ELEVATOR "DO NOT USE" LIGHT. INSTALLED ADJACENT TO PHASE 1 RECALL SWITCH. PROVIDE AND INSTALL PHENOLIC ENGRAVED WHITE LABEL WITH RED LETTER 18" HIGH THAT READS "DO NOT USE ELEVATOR".	3/4" MIN.	PER EQUIP. MANUF.
DUCT DETECTOR REMOTE TEST AND INDICATING STATION. INSTALLED WHERE SHOWN ON THE DRAWINGS AND WHERE REQUIRED BY CODE.	3/4" MIN.	PER EQUIP. MANUF.
ANALOG ADDRESSABLE RELAY. INSTALLED WITHIN THREE FEET OF DEVICE BEING CONTROLLED OR MONITORED.	3/4" MIN.	PER EQUIP. MANUF.
FIRE ALARM SYSTEM CONTROL PANEL. SURFACE MOUNTED IN COMMUNICATIONS OR ELECTRICAL ROOMS. FLUSH MOUNTED IN ANY OTHER SPACE. INSTALLED 60" A.F.F. TO TOP UNLESS OTHERWISE NOTED.	BRANCH CIR. 3/4" MIN. BACKBONE 2" MIN.	PER EQUIP. MANUF.
FIRE ALARM SYSTEM REMOTE POWER SUPPLY. SURFACE MOUNTED. INSTALLED 60" A.F.F. TO TOP UNLESS OTHERWISE NOTED.	3/4" MIN.	PER EQUIP. MANUF.
FIRE ALARM TERMINAL CABINET.	3/4" MIN.	PER EQUIP. MANUF.
FIRE ALARM SYSTEM CABLES IN RACEWAY UNLESS OTHERWISE NOTED. SIZE CONDUIT PER NATIONAL ELECTRIC CODE FOR QUANTITY AND SIZE OF CABLES INSTALLED.	BRANCH CIR. 3/4" MIN. BACKBONE 2" MIN.	PER EQUIP. MANUF.

FIRE ALARM SYSTEM SYMBOL LEGEND NOTES

GENERAL

1. ALL WIRE AND CABLE SHALL BE IN A COMPLETE RACEWAY SYSTEM. INSTALL/SIZE RACEWAY SYSTEM IN ACCORDANCE WITH THE SPECIFICATIONS, NATIONAL ELECTRIC CODE, AND THE EQUIPMENT MANUFACTURER'S RECOMMENDATIONS.
2. PROVIDE AND INSTALL SYSTEM COMPLETE WITH ALL EQUIPMENT, DEVICES, MATERIALS, CABLES, PATHWAYS (I.E. RACEWAYS, CONDUITS, BOXES, ETC.), PROGRAMMING, AND TESTING.
3. MINIMUM RACEWAY SIZE SHALL BE 3/4".
4. ALL FIRE ALARM SYSTEM EQUIPMENT AND DEVICES SHALL BE ANALOG ADDRESSABLE.
5. EACH DEVICE TO BE INDIVIDUALLY ANNUNCIATED AT CONTROL PANEL.
6. PROVIDE REMOTE INDICATION OF TROUBLE AND ALARM OF ALL DUCT SMOKE DETECTORS IN LOCATIONS ACCEPTABLE TO THE AUTHORITY HAVING JURISDICTION.
7. COORDINATE INTERCONNECTION BETWEEN FIRE ALARM SYSTEM AND LIGHTING DIMMING SYSTEMS AS NECESSARY TO MEET CODE REQUIREMENTS.
8. COORDINATE WITH OWNER ON REQUIREMENTS FOR MONITORING THE FIRE ALARM SYSTEM AND PROVIDE AND INSTALL ALL REQUIRED EQUIPMENT AND MATERIALS.
9. THE CONTRACTOR SHALL COORDINATE WITH THE OWNER FOR FINAL ROOM NUMBERING PRIOR TO PROGRAMMING THE FIRE ALARM SYSTEM. THE FIRE ALARM SYSTEM PROGRAMMING SHALL REFLECT THE FINAL ROOM NUMBERING AS DISPLAYED ON THE INSTALLED SIGNAGE THROUGHOUT THE FACILITY. THE CONTRACTOR SHALL ENSURE THAT AS-BUILT DOCUMENTATION ALSO REFLECTS UPDATED ROOM NUMBERING INFORMATION.
10. THE CONTRACTOR SHALL NOT INSTALL WALL MOUNTED FIRE ALARM CABINETS. POWER SUPPLIES ETC. ON PLYWOOD BACKBOARD. CONTRACTOR SHALL COORDINATE FIRE ALARM EQUIPMENT INSTALLATION WITH PLYWOOD BACKBOARD PRIOR TO INSTALLATION.

FIRE ALARM SYSTEM SYMBOL LEGEND NOTES CONTINUED

MECHANICAL SYSTEMS

11. CONTRACTOR SHALL PROVIDE, INSTALL AND TERMINATE ALL ELECTRICAL AND FIRE ALARM SYSTEM EQUIPMENT INCLUDING, BUT NOT LIMITED TO, RACEWAYS, WIRE/CABLE, CIRCUIT BREAKERS, MODULES, RELAYS (UL LISTED FOR USE WITH FIRE ALARMS), ETC. NECESSARY TO SHUT-DOWN AIR HANDLING UNIT (AHU), SUPPLY FAN, FAN TERMINAL BOX (FTB) ETC. (I.E. ANY AIR MOVING EQUIPMENT) REQUIRED TO BE SHUT-DOWN BY THE FIRE ALARM SYSTEM. IN ADDITION, ELECTRIC DUCT HEATERS SHALL BE SHUT-DOWN. THIS REQUIREMENT FOR CONNECTION OF THE FIRE ALARM SYSTEM TO ANOTHER DEVICE OR ANOTHER DEVICE OR SYSTEM SHALL BE EXTENDED TO INCLUDE ANY APPLICABLE CODE OR STANDARD, DIRECTLY OR INDIRECTLY REFERENCED BY THE SPECIFICATIONS, THAT REQUIRES INTERFACE WITH THE FIRE ALARM SYSTEM FOR CONTROLS OR MONITORING OF AN AIR MOVING DEVICE IN ORDER TO PROVIDE AND COMPLETE CODE COMPLIANT FIRE ALARM SYSTEM. COORDINATE ALL WORK WITH MECHANICAL SYSTEMS SUB-CONTRACTOR PRIOR TO ROUGH-IN.
12. COORDINATE SHUT-DOWN OF ALL MECHANICAL AIR SYSTEMS (AHU'S, EXHAUST FANS, FAN TERMINAL BOXES ETC.) AND ELECTRIC DUCT HEATERS WITH MECHANICAL SYSTEMS SPECIFICATIONS, DRAWINGS, AND INSTALLER.
13. PROVIDE ALL WORK AND EQUIPMENT TO SHUT-DOWN ALL AIR MOVING EQUIPMENT AS REQUIRED BY APPLICABLE CODES.
14. VERIFY WITH MECHANICAL SYSTEMS SUB-CONTRACTOR PRIOR TO ROUGH-IN LOCATION AND REQUIREMENTS FOR THE INTERFACE TO SHUT-DOWN EQUIPMENT UPON FIRE ALARM SIGNAL.
15. UNITS REQUIRED TO BE SHUT DOWN BY THE STANDARDS MECHANICAL CODE AND NOT REQUIRED TO BE SHUT-DOWN BY THE FIRE ALARM SYSTEM ARE TO HAVE ALL WORK AND EQUIPMENT PROVIDED AND INSTALLED BY MECHANICAL SUB-CONTRACTOR.
16. WHERE REQUIRED FIRE ALARM INSTALLER SHALL PROVIDE AND INSTALL AN INDIVIDUAL, ADDRESSABLE RELAY WITHIN THREE FEET (3') OF EACH PIECE OF EQUIPMENT (I.E. AHU, EXHAUST FAN TERMINAL BOX, ETC.) TO BE SHUT-DOWN UPON ALARM. DASHY-CHAINING MULTIPLE PIECES OF EQUIPMENT TO A COMMON RELAY OR MODULE OR ANOTHER DEVICE OR SYSTEM SHALL BE EXTENDED TO INCLUDE ANY APPLICABLE CODE OR STANDARD, DIRECTLY OR INDIRECTLY REFERENCED BY THE SPECIFICATIONS, THAT REQUIRES INTERFACE WITH THE FIRE ALARM SYSTEM FOR CONTROLS OR MONITORING OF A DEVICE IN ORDER TO PROVIDE AND COMPLETE CODE COMPLIANT FIRE ALARM SYSTEM. COORDINATE ALL WORK WITH MECHANICAL SYSTEMS SUB-CONTRACTOR PRIOR TO ROUGH-IN.
17. CONTRACTOR SHALL PROVIDE, INSTALL AND TERMINATE ALL ELECTRICAL AND FIRE ALARM SYSTEM EQUIPMENT INCLUDING, BUT NOT LIMITED TO, RACEWAYS, WIRE/CABLE, CIRCUIT BREAKERS, MODULES, RELAYS (UL LISTED FOR USE WITH FIRE ALARMS), ETC. NECESSARY FOR CONNECTION TO A SMOKE DAMPER, FIRE DAMPER, COMBINATION SMOKE/FIRE DAMPER OR ASSOCIATED DEVICE REQUIRED TO BE SHUT-DOWN BY THE FIRE ALARM SYSTEM. THIS REQUIREMENT FOR CONNECTION OF THE FIRE ALARM SYSTEM OR ANOTHER DEVICE OR SYSTEM SHALL BE EXTENDED TO INCLUDE ANY APPLICABLE CODE OR STANDARD, DIRECTLY OR INDIRECTLY REFERENCED BY THE SPECIFICATIONS, THAT REQUIRES INTERFACE WITH THE FIRE ALARM SYSTEM FOR CONTROLS OR MONITORING OF A DEVICE IN ORDER TO PROVIDE AND COMPLETE CODE COMPLIANT FIRE ALARM SYSTEM. COORDINATE ALL WORK WITH MECHANICAL SYSTEMS SUB-CONTRACTOR PRIOR TO ROUGH-IN.

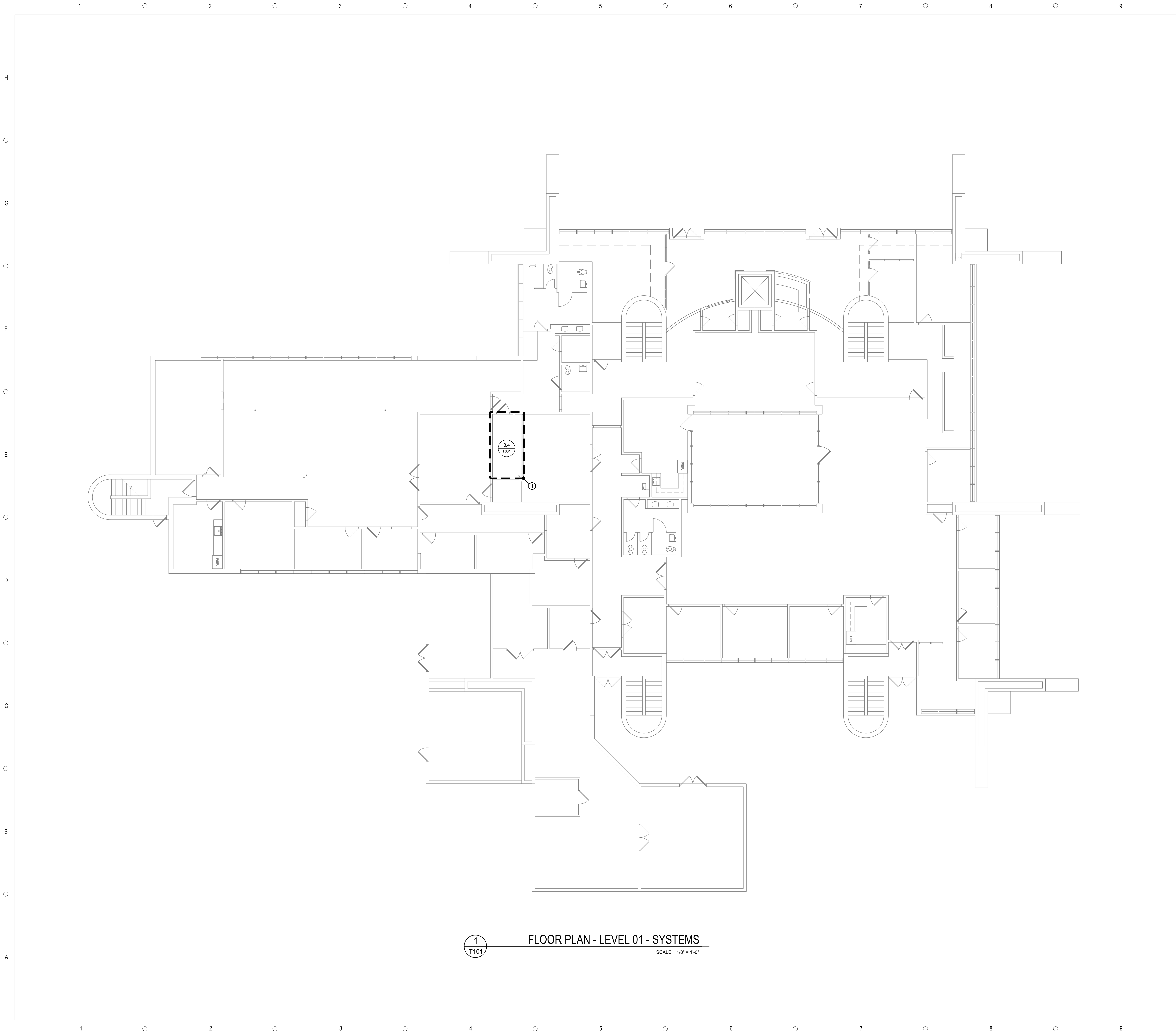
SPRINKLER SYSTEMS

18. CONTRACTOR SHALL PROVIDE, INSTALL AND TERMINATE ALL ELECTRICAL AND FIRE ALARM SYSTEM EQUIPMENT INCLUDING, BUT NOT LIMITED TO, RACEWAYS, WIRE/CABLE, CIRCUIT BREAKERS, MODULES, RELAYS (UL LISTED FOR USE WITH FIRE ALARMS), ETC. NECESSARY FOR CONNECTION TO A TAMPER SWITCH, FLOW SWITCH, PRESSURE SWITCH, POST INDICATOR VALVE OR OR ANY OTHER FIRE PROTECTION DEVICE REQUIRE TO BE SHUT-DOWN BY THE FIRE ALARM SYSTEM. THIS REQUIREMENT FOR CONNECTION OF THE FIRE ALARM SYSTEM TO ANOTHER DEVICE OR SYSTEM SHALL BE EXTENDED TO INCLUDE ANY APPLICABLE CODE OR STANDARD, DIRECTLY OR INDIRECTLY REFERENCED BY THE SPECIFICATIONS, THAT REQUIRES INTERFACE WITH THE FIRE ALARM SYSTEM FOR CONTROLS OR MONITORING OF A DEVICE IN ORDER TO PROVIDE AND COMPLETE CODE COMPLIANT FIRE ALARM SYSTEM. COORDINATE ALL WORK WITH SPRINKLER SYSTEM DRAWINGS, SPECIFICATIONS AND INSTALLER PRIOR TO ROUGH-IN.
19. COORDINATE EXACT REQUIREMENTS FOR FIRE ALARM SYSTEM INTERFACE TO SPRINKLER SYSTEM WITH SPRINKLER SYSTEM INSTALLER PRIOR TO ROUGH-IN. PROVIDE ALL WORK AND MATERIALS AS REQUIRED.

GENERAL ELEVATOR NOTES

20. OPERATION OF ELEVATORS UNDER FIRE OR OTHER EMERGENCY CONDITION SHALL CONFIRM TO THE REQUIREMENTS OF ANSI A17.1 SAFETY CODE FOR ELEVATORS AND ESCALATORS (LATEST ADOPTED EDITION), AS INCORPORATED HEREIN BY REFERENCE.
21. WHEN AN AUTOMATIC SPRINKLER SYSTEM IS REQUIRED TO BE INSTALLED THROUGHOUT A BUILDING FOR COMPLETE FIRE PROTECTION COVERAGE, THE PROVISIONS OF ANSI 17.1 (LATEST ADOPTED EDITION), WHICH IS INCORPORATED HEREIN BY REFERENCE, SHALL BE APPLICABLE. WHEN AN AUTOMATIC SPRINKLER SYSTEM IS REQUIRED TO BE INSTALLED, THE AUTOMATIC SPRINKLER SYSTEM SHALL BE A PRE-ACTION SYSTEM AND SHALL BE INSTALLED IN THE ELEVATOR MACHINE ROOM AND ELEVATOR HOISTWAY. AN APPROVED FIXED TEMPERATURE (155 DEGREES F.) HEAT DETECTOR SHALL BE INSTALLED IN THE ELEVATOR MACHINE ROOM AND ELEVATOR HOISTWAY AS AN INTEGRAL PART OF THE PRE-ACTION SPRINKLER SYSTEM TO AUTOMATICALLY DISCONNECT THE MAIN POWER SUPPLY TO THE AFFECTED ELEVATORS PRIOR TO THE APPLICATION OF WATER. THE MAIN POWER SUPPLY SHALL NOT BE SELF-RESETTING. THE ACTIVATION OF SPRINKLERS OUTSIDE OF THE HOISTWAY OR CHANGING ROOM SHALL NOT DISCONNECT THE MAIN POWER SUPPLY. THE SPRINKLER LEAD LOCATED IN THE ELEVATOR MACHINE ROOM AND THE ELEVATOR HOISTWAY SHALL HAVE AN ACTIVATION TEMPERATURE GREATER THAN THE APPROVED FIXED TEMPERATURE HEAT DETECTOR.
22. IN ADDITION TO THE REQUIREMENTS OF ANSI A17.1 (LATEST ADOPTED EDITION), ONE OR MORE APPROVED SMOKE DETECTORS SHALL BE INSTALLED IN THE ELEVATOR HOISTWAY, ELEVATOR LOBBY AND THE ELEVATOR MACHINE ROOM MEETING THE REQUIREMENTS OF FLORIDA ADMINISTRATIVE CODE RULE 69A-47.011. THE ACTIVATION OF THE SMOKE DETECTORS) IN THE MACHINE ROOM OR ELEVATOR LOBBY OR THE ELEVATOR HOISTWAY SHALL CAUSE A SUITABLE WARNING LIGHT TO FLASH. THE LIGHT IS TO BE LOCATED AS REQUIRED BY ANSI A17.1 (LATEST ADOPTED EDITION).

SHEET INDEX		
SHEET	SHEET NAME	SCALE
T001	SYMBOL LEGEND AND SHEET INDEX - SYSTEMS	NTS
T101	FIRST FLOOR - SYSTEMS	1/8"=1"
T202	SECOND FLOOR DEMO PLAN - SYSTEMS	1/8"=1"
T202	SECOND FLOOR RENO PLAN - SYSTEMS	1/8"=1"
T601	ENLARGED PLAN - SYSTEMS	1/4"=1"
T901	DETAILS	NTS
T902	DETAILS & RISER DIAGRAM	NTS



1  
T101

**FLOOR PLAN - LEVEL 01 - SYSTEMS**

SCALE: 1/8" = 1'-0"

**NOTES**

- GENERAL NOTES**
- REFER TO TELECOMMUNICATIONS GENERAL NOTES ON SHEET T001.
- HEX NOTES**
- LOCATION OF FIRST FLOOR ELECTRIC ROOM, FACT AND FIRE ALARM POWER SUPPLIES ARE LOCATED WITHIN THIS ROOM. CONTRACTOR SHALL REWORK EQUIPMENT AND CIRCUITS AS NECESSARY FOR ARCHITECTURAL CHANGES TO SPACE AS WELL AS RENOVATION WORK ON THE SECOND FLOOR OF BUILDING. REFER TO ARCHITECTURAL DRAWINGS. REFER TO ENLARGED PLANS.

rhodes + brito  
ARCHITECTS

AA0002809

605 E. ROBINSON STREET, SUITE 750  
ORLANDO, FL 32801

PH (407) 648 - 7288  
www.rhodesbrito.com

Consultants



Orange County Government

**Orange County  
Government Capital  
Project Division**

**Orange County  
Code Enforcement Office  
Renovations**

2450 West 33rd Street,  
Orlando, Florida 32839

ALL REPRODUCTION AND INTELLECTUAL  
PROPERTY RIGHTS RESERVED ©

**BID DOCUMENTS**

DATE	SUBMISSION / REVISION	NO.

**FLOOR PLAN LEVEL 01  
SYSTEMS**

SCALE:	AS INDICATED
DRAWN BY:	DW
CHECK BY:	LJT
DATE:	03/29/2018
PROJECT NUMBER:	15012-0020

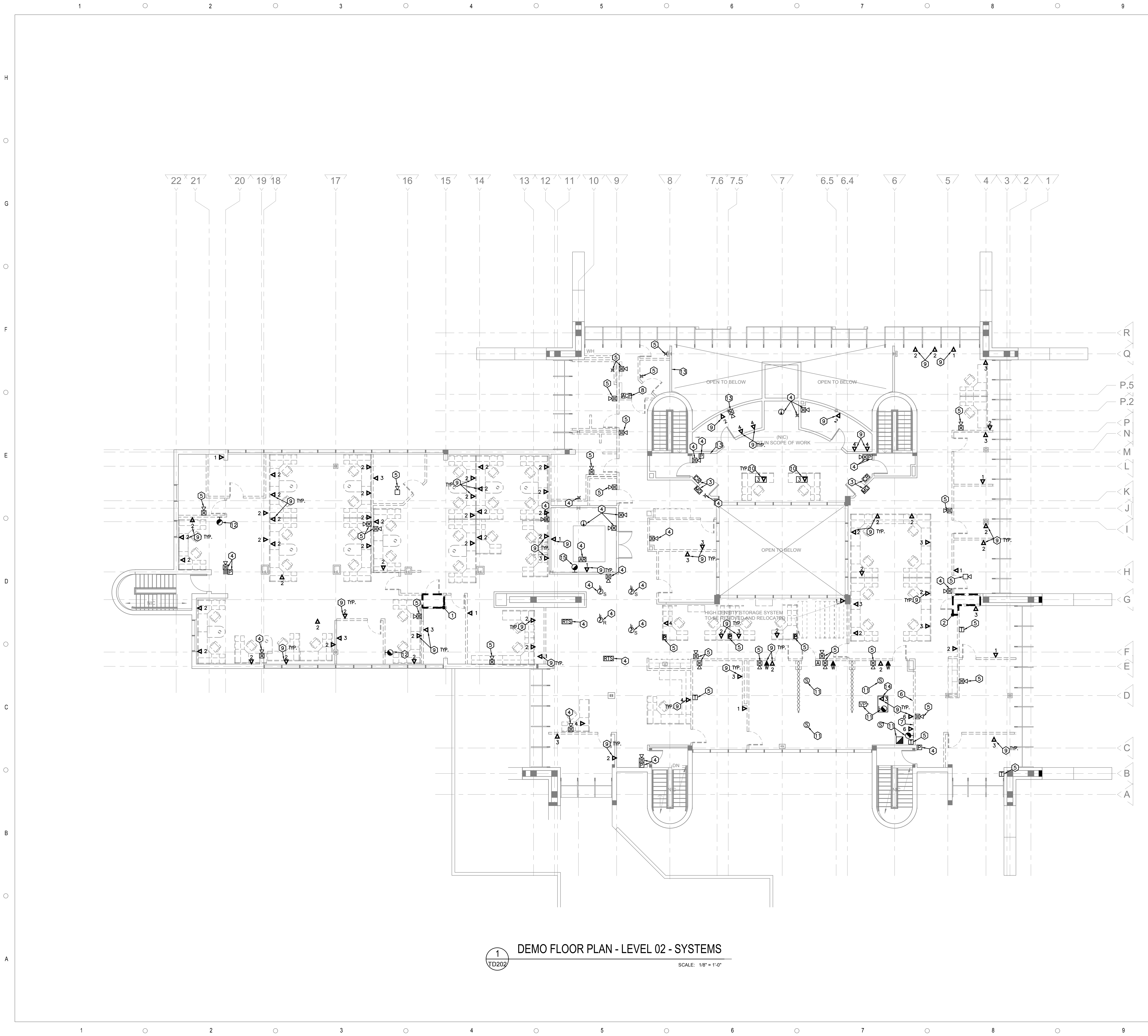
**TECHNOLOGY RESEARCH  
& CONSULTING, INC.**

437 Gaston Foster Rd., Orlando, FL 32807

Voice: (407) 273-6000  
Fax: (407) 273-6004  
Web: http://www.techrecon.net

**T101**





**NOTES**

**GENERAL NOTES**

1. REFER TO TELECOMMUNICATIONS GENERAL NOTES ON SHEET T001.
2. INFORMATION RELATED TO EXISTING SYSTEMS IS BASED ON THE OWNER'S AS-BUILT DRAWINGS AND VARIOUS WALK-THROUGH INVESTIGATIONS OF THE BUILDING DURING THE DESIGN PHASE. NOT EVERY DEVICE OR LOCATION HAS BEEN VERIFIED. CONTRACTOR SHALL FIELD VERIFY DEVICE LOCATIONS AS NECESSARY TO ACCOMPLISH THE WORK OF THIS PROJECT.
3. CONTRACTOR MAY USE EXISTING RACEWAY WHERE IN LIKE NEW CONDITION AND CODE COMPLIANT. WHERE DEVICE OUTLET BOXES ARE TO BE REUSED CONTRACTOR SHALL FIELD VERIFY THE DEVICE MOUNTING HEIGHT IS IN COMPLIANCE WITH CODE AND CONTRACT DOCUMENT REQUIREMENTS. IF NOT, CONTRACTOR SHALL ADJUST THE OUTLET BOX HEIGHT OR INSTALL NEW, PATCH AND REPAIR WALLS TO MATCH THE SURROUNDING AREA.
4. CONTRACTOR SHALL PROVIDE AND INSTALL NEW PATHWAYS (E.G. OUTLET BOXES, RACEWAYS, PULL BOXES, ETC.) WHERE NEW DEVICE LOCATIONS ARE IDENTIFIED ON THE RENOVATION DRAWINGS.
5. CONTRACTOR SHALL DEMOLISH AND REMOVE COMPLETE ANY MATERIALS (I.E. RACEWAYS, CABLING, ETC.) ABANDONED ABOVE CEILINGS. DEMOLITION SHALL BE COMPLETE TO SOURCE.
6. DEVICES SHOWN ON DEMOLITION DRAWINGS ARE EXISTING TO REMAIN UNLESS SPECIFICALLY NOTED OTHERWISE. EXISTING TO REMAIN DEVICES ARE NOT SHOWN ON RENOVATION DRAWINGS. CONTRACTOR SHALL FIELD VERIFY AND PROTECT THROUGHOUT CONSTRUCTION.

**HEX NOTES**

- ① EXISTING COMM. ROOM 220. CONTRACTOR TO PROTECT ALL EQUIPMENT IN THIS SPACE AND MODIFY AS NECESSARY FOR EXPANSION OF COMM. ROOM. REFER TO ENLARGED PLANS.
- ② EXISTING COMM. ROOM 206. CONTRACTOR TO PROTECT ALL EQUIPMENT IN THIS SPACE AND MODIFY AS NECESSARY FOR EXPANSION OF COMM. ROOM. REFER TO ENLARGED PLANS.
- ③ REMOVE AND REINSTALL ACCESS CONTROL DEVICES AS NECESSARY IN CONJUNCTION WITH RELOCATING ACCESS CONTROL HEAD END.
- ④ DEMOLISH EXISTING FIRE ALARM DEVICE AND REPLACE WITH NEW, AND REWORK FIRE ALARM CIRCUITS AS NECESSARY FOR NEW DEVICES. REFER TO RENOVATION DRAWINGS. TYPICAL. DEMOLISH DEVICE COMPLETE TO SOURCE.
- ⑤ EXISTING SMART BOARD AT THIS LOCATION. OWNER'S VENDOR TO REMOVE AND REINSTALL. REFER TO RENOVATION DRAWINGS.
- ⑦ EXISTING CONFERENCE WEB CAM AT THIS LOCATION. OWNER'S VENDOR TO REMOVE AND REINSTALL. REFER TO RENOVATION DRAWINGS.
- ⑧ EXISTING ACCESS CONTROL EQUIPMENT PANEL. TO BE RELOCATED TO ACCESSIBLE ABOVE CEILING AREA.
- ⑨ CONTRACTOR TO DEMOLISH OUTLETS, CONDUIT, AND CABLING COMPLETE TO SOURCE AND REPLACE WITH NEW. REFER TO RENOVATION DRAWINGS. TYPICAL.
- ⑩ CONTRACTOR SHALL FIELD VERIFY ROUTING OF CATEGORY CABLING FEEDING FLOOR BOX.
- ⑪ OWNER'S VENDOR TO REMOVE AND REINSTALL AUDIO/VIDEO EQUIPMENT AS NECESSARY FOR EXPANSION OF CONFERENCE ROOM. REFER TO RENOVATION DRAWINGS.
- ⑫ OUTLET BOX FEEDING EXISTING SYSTEMS FURNITURE. CONTRACTOR TO DEMOLISH AFTER OWNER'S VENDOR REMOVES CABLING.
- ⑬ DEMOLISH FIRE ALARM DEVICES AND CIRCUITS AND REWORK AS NECESSARY IN CONJUNCTION WITH MECHANICAL DAMPER DEMOLITION. REFER TO MECHANICAL DRAWINGS.
- ⑭ DEMOLISH FLOOR BOX COMPLETE TO SOURCE. PATCH FLOOR AS NECESSARY.
- ⑮ FIRE ALARM SYSTEM PULL BOX. CONTRACTOR SHALL REWORK AS NECESSARY.



Consultants



Orange County Government

**Orange County  
Government Capital  
Project Division**

**Orange County  
Code Enforcement Office  
Renovations**

2450 West 33rd Street,  
Orlando, Florida 32839

ALL REPRODUCTION AND INTELLECTUAL  
PROPERTY RIGHTS RESERVED ©

**BID DOCUMENTS**

DATE	SUBMISSION / REVISION	NO.

**DEMO FLOOR PLAN  
LEVEL 02 - SYSTEMS**

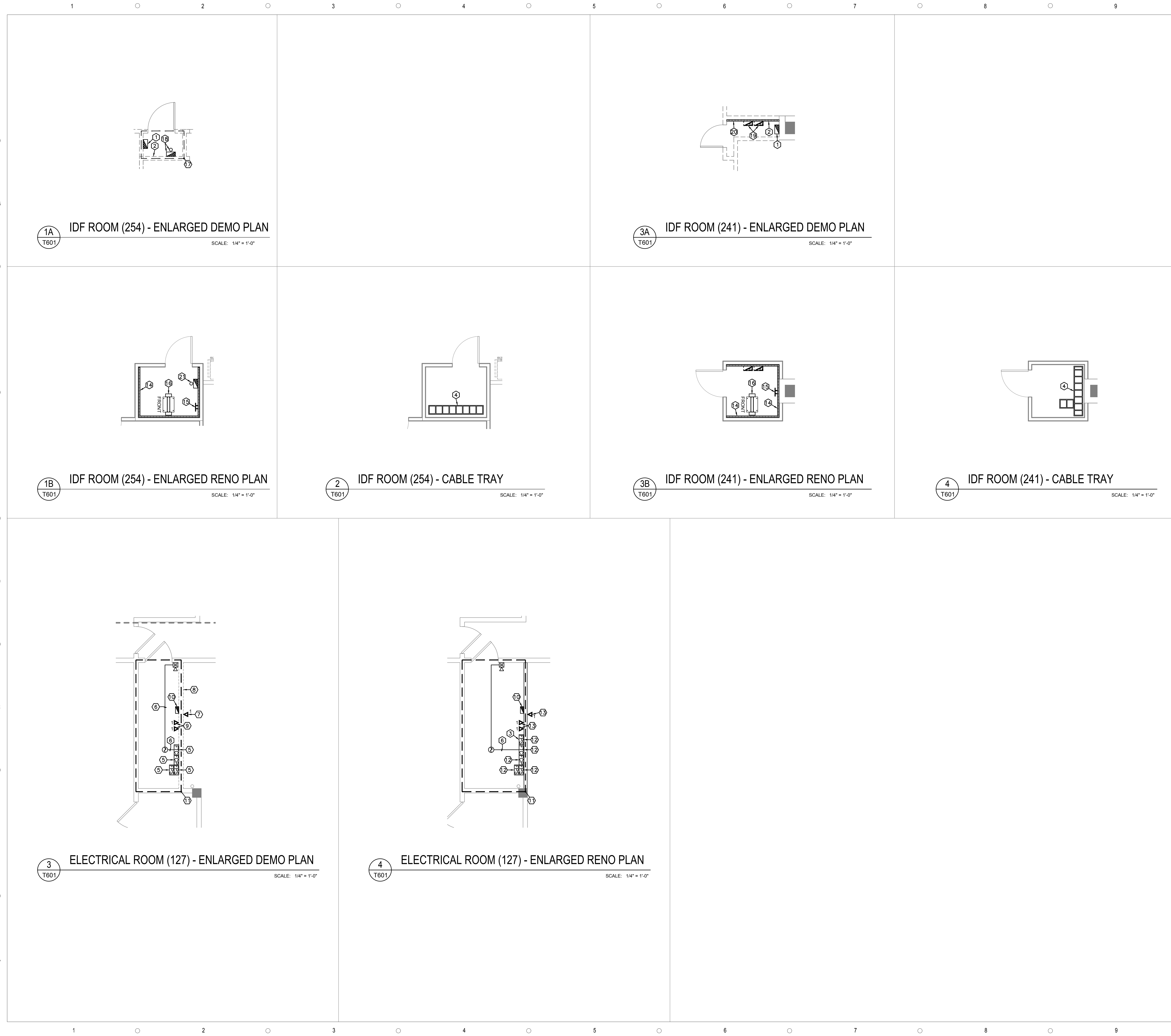
SCALE:	AS INDICATED
DRAWN BY:	DW
CHECK BY:	LJT
DATE:	03/29/2018
PROJECT NUMBER:	15012-0020

**TECHNOLOGY RESEARCH  
& CONSULTING, INC.**  
437 Gaston Foster Rd., Orlando, FL 32807  
Voice: (407) 273-6000  
Fax: (407) 273-6004  
Web: <http://www.techrescon.net>

**TD202**

**1 DEMO FLOOR PLAN - LEVEL 02 - SYSTEMS**  
SCALE: 1/8" = 1'-0"





**NOTES**

**GENERAL NOTES**

1. REFER TO TELECOMMUNICATIONS GENERAL NOTES ON SHEET T001.

**HEX NOTES**

- ① EXISTING VOICE DATA EQUIPMENT RACK TO BE DEMOLISHED COMPLETE TO SOURCE AND REPLACE WITH NEW EQUIPMENT RACK, INCLUDING PATCH PANELS, WIRE MANAGEMENT, ETC. TURN OVER NETWORK ELECTRONICS TO OWNER IN GOOD WORKING CONDITION. REFER TO RACK ELEVATIONS.
- ② REMOVE AND REINSTALL EXISTING I/P BASED CAMERA AS NECESSARY FOR EXPANSION OF EXISTING COMMUNICATION ROOMS.
- ③ CONTRACTOR SHALL FIELD VERIFY LOAD AND BATTERY CALCULATIONS FOR FIRE ALARM IN THEIR SUBMITTALS. CONTRACTOR SHALL ADD REMOTE POWER SUPPLIES WHERE EXISTING EQUIPMENT DOES NOT HAVE ADEQUATE CAPACITY FOR NEW DEVICES BEING INSTALLED AS PART OF THIS PROJECT.
- ④ CABLE TRAY. REFER TO SPECIFICATIONS.
- ⑤ CONTRACTOR SHALL REMOVE AND REINSTALL FIRE ALARM EQUIPMENT AS NECESSARY IN SUPPORT OF ARCHITECTURAL CHANGE TO ROOM. RECONNECT AND TEST EXISTING CIRCUITS AS NECESSARY TO MAINTAIN A COMPLETE, FULLY FUNCTIONAL CODE COMPLIANT FIRE ALARM SYSTEM. WHERE EQUIPMENT WILL BE OFF-LINE FOR MORE THAN FOUR HOURS THE CONTRACTOR SHALL SET A FIRE WATCH AND NOTIFY THE AUTHORITY HAVING JURISDICTION IN ACCORDANCE WITH CODE REQUIREMENTS.
- ⑥ CONTRACTOR TO EXTEND CONDUIT AND CABLING AS NECESSARY TO MAINTAIN EXISTING CIRCUITS.
- ⑦ REMOVE, REWIRE, AND REINSTALL DATA OUTLET AS NECESSARY. REFER TO RENO DRAWINGS.
- ⑧ EXISTING WALL BEING DEMOLISHED. REFER TO ARCHITECTURAL DRAWINGS.
- ⑨ EXISTING RJ21X JACKS FOR TELEPHONE LINES FOR FIRE ALARM SYSTEM MONITORING. CONTRACTOR SHALL REWORK AS NECESSARY FOR NEW EQUIPMENT LOCATION. NOTIFY AND COORDINATE WITH MONITORING COMPANY PRIOR TO STARTING ANY WORK.
- ⑩ EXISTING ENCLOSURE FOR SMOKE DAMPER CONTACTOR. RELOCATE AS PART OF FIRE ALARM EQUIPMENT. COORDINATE WITH ELECTRICAL FOR RELOCATION OF POWER CIRCUIT AS PART OF WORK.
- ⑪ EXISTING EQUIPMENT, RACEWAY, CABLES, ETC. AFFECTED BY ARCHITECTURAL WALL BEING MOVED SHALL BE REWORKED BY CONTRACTOR AS NECESSARY. WHERE CABLING IS NOT LONG ENOUGH TO REACH NEW EQUIPMENT LOCATIONS CONTRACTOR SHALL PROVIDE AND INSTALL NEW FROM PREVIOUS POINT OF TERMINATION.
- ⑫ APPROXIMATE NEW LOCATION OF FIRE ALARM EQUIPMENT. CONTRACTOR SHALL PROVIDE IN HIS SUBMITTALS AN ELEVATION OF THIS WALL SHOWING DIMENSIONED LOCATIONS OF HOW EQUIPMENT IS TO BE ORGANIZED AND WHERE SPECIFICALLY EACH PANEL WILL BE LOCATED IN REFERENCE TO OTHER EQUIPMENT. ELEVATION SHALL SHOW ALL CONDUIT RUNS AND OTHER INFORMATION AS NECESSARY FOR THE DESIGNER TO CLEARLY UNDERSTAND THE ORDER OF THE WORK AND WHAT THE FINAL PRODUCT WILL LOOK LIKE. SUBMITTALS FOR THIS WORK SHALL BE STAMPED "REVIEWED" PRIOR TO CONTRACTOR STARTING ANY WORK IN ELECTRICAL ROOM (127).
- ⑬ CONTRACTOR SHALL INSTALL NEW CABLE TO EXISTING PATCH PANEL IF EXISTING CABLE IS NOT LONG ENOUGH TO REACH NEW OUTLET LOCATION.
- ⑭ PROVIDE AND INSTALL 4' W BY 8' H BY 3/4" CLASS A/B PLYWOOD BACKBOARD ON THIS WALL. CORNER TO CORNER. PAINT WITH GRAY FIRE RETARDANT PAINT.
- ⑮ COMMUNICATIONS SYSTEMS GROUND BUS BAR. REFER TO DETAILS.
- ⑯ FLOOR MOUNTED EQUIPMENT RACK. REFER TO DETAILS.
- ⑰ CONTRACTOR SHALL DEMOLISH EXISTING HORIZONTAL DATA CABLES TO WORKSTATION OUTLETS ON THIS FLOOR AND REPLACE WITH NEW. REFER TO RENO FLOOR PLANS.
- ⑱ EXISTING EQUIPMENT TO BE RELOCATED TO SIDE WALL OF ROOM. PROVIDE AND INSTALL NEW SLEEVE THROUGH FLOOR AND SEAL EXISTING SLEEVE. REFER TO RENO DRAWINGS.
- ⑲ EXISTING COPPER BACKBONE AND FIBER OPTIC CABLE AND TERMINATIONS. EXISTING TO REMAIN. REFER TO RENO DRAWINGS.
- ⑳ EXISTING PLYWOOD BACKBOARD. EXISTING TO REMAIN. REFER TO RENO DRAWINGS.
- ㉑ NEW FLOOR PENETRATION FOR REROUTING OF EXISTING COPPER BACKBONE CABLE. CONTRACTOR SHALL REWORK AS NECESSARY FOR EXPANSION OF COMM ROOM.



Orange County Government

Orange County  
Government Capital  
Project Division

Orange County  
Code Enforcement Office  
Renovations

2450 West 33rd Street,  
Orlando, Florida 32839

ALL REPRODUCTION AND INTELLECTUAL  
PROPERTY RIGHTS RESERVED ©

**BID DOCUMENTS**

DATE	SUBMISSION / REVISION	NO.

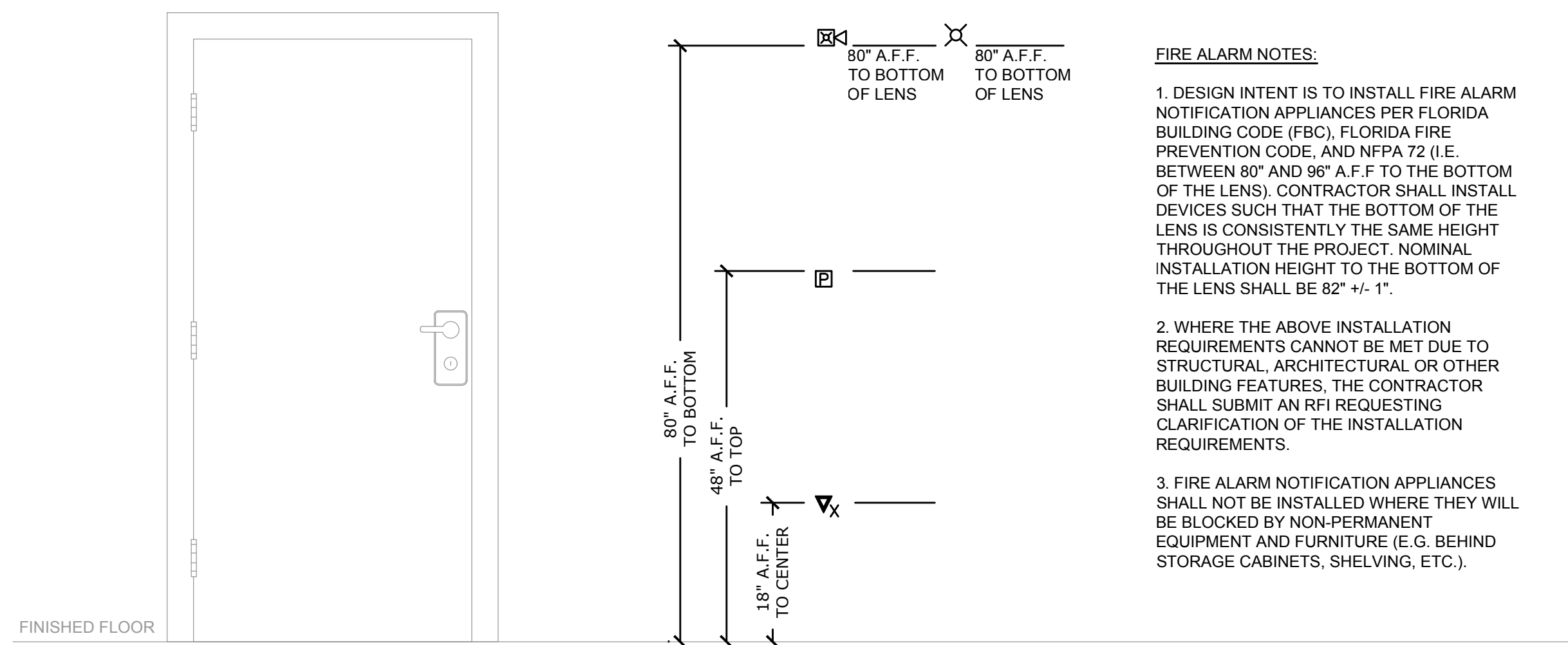
**ENLARGED PLANS  
SYSTEMS**

SCALE:	AS INDICATED
DRAWN BY:	DW
CHECK BY:	LJT
DATE:	03/29/2018
PROJECT NUMBER:	15012-0020

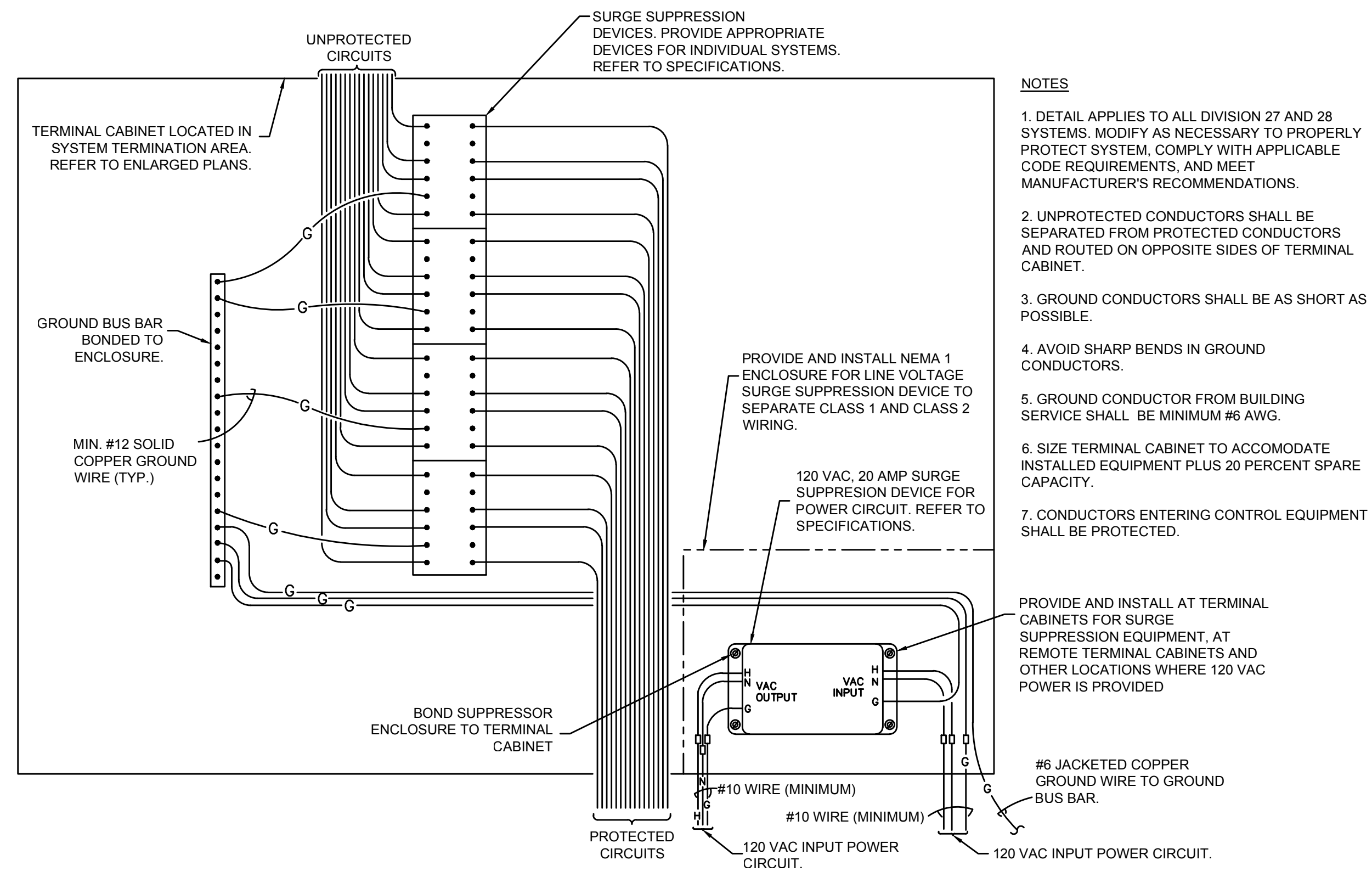


**T601**





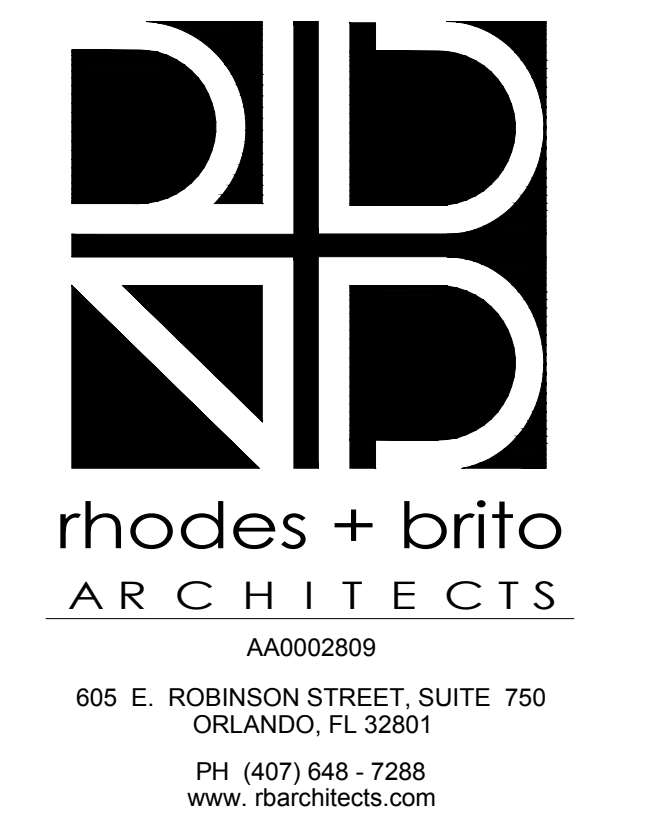
1 27 05 00 DEVICE ELEVATION DETAIL  
SCALE: 3/32" = 1'-0"



2 27 05 00 SURGE SUPPRESSION DETAIL  
SCALE: 3/32" = 1'-0"

NOTES

- GENERAL NOTES
- REFER TO TELECOMMUNICATIONS GENERAL NOTES ON SHEET T001.



Orange County Government

Orange County Government Capital Project Division

Orange County Code Enforcement Office Renovations

2450 West 33rd Street, Orlando, Florida 32839

ALL REPRODUCTION AND INTELLECTUAL PROPERTY RIGHTS RESERVED ©

BID DOCUMENTS

DATE	SUBMISSION / REVISION	NO.

DETAILS

SCALE: AS INDICATED

DRAWN BY: DW

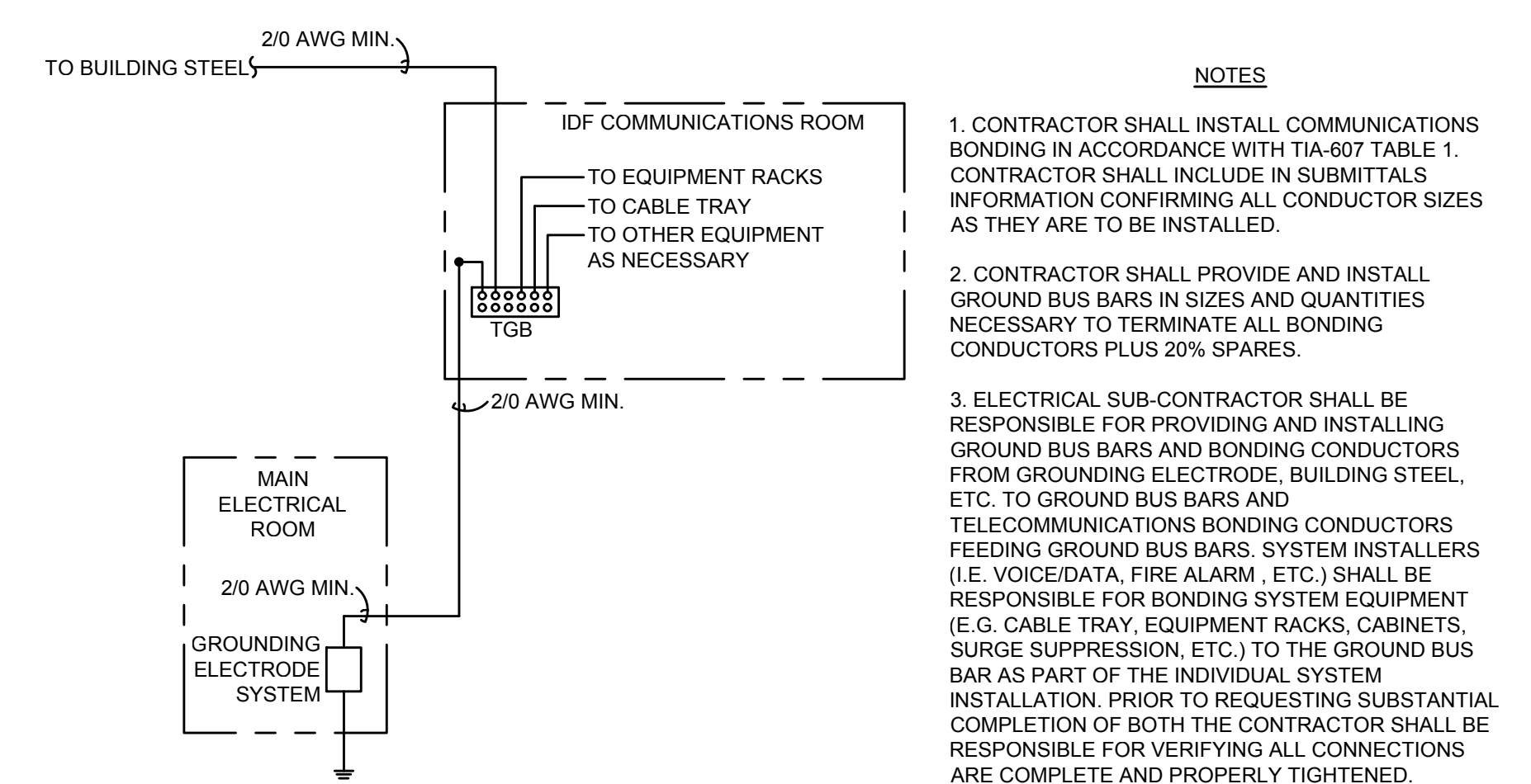
CHECK BY: LJT

DATE: 03/29/2018

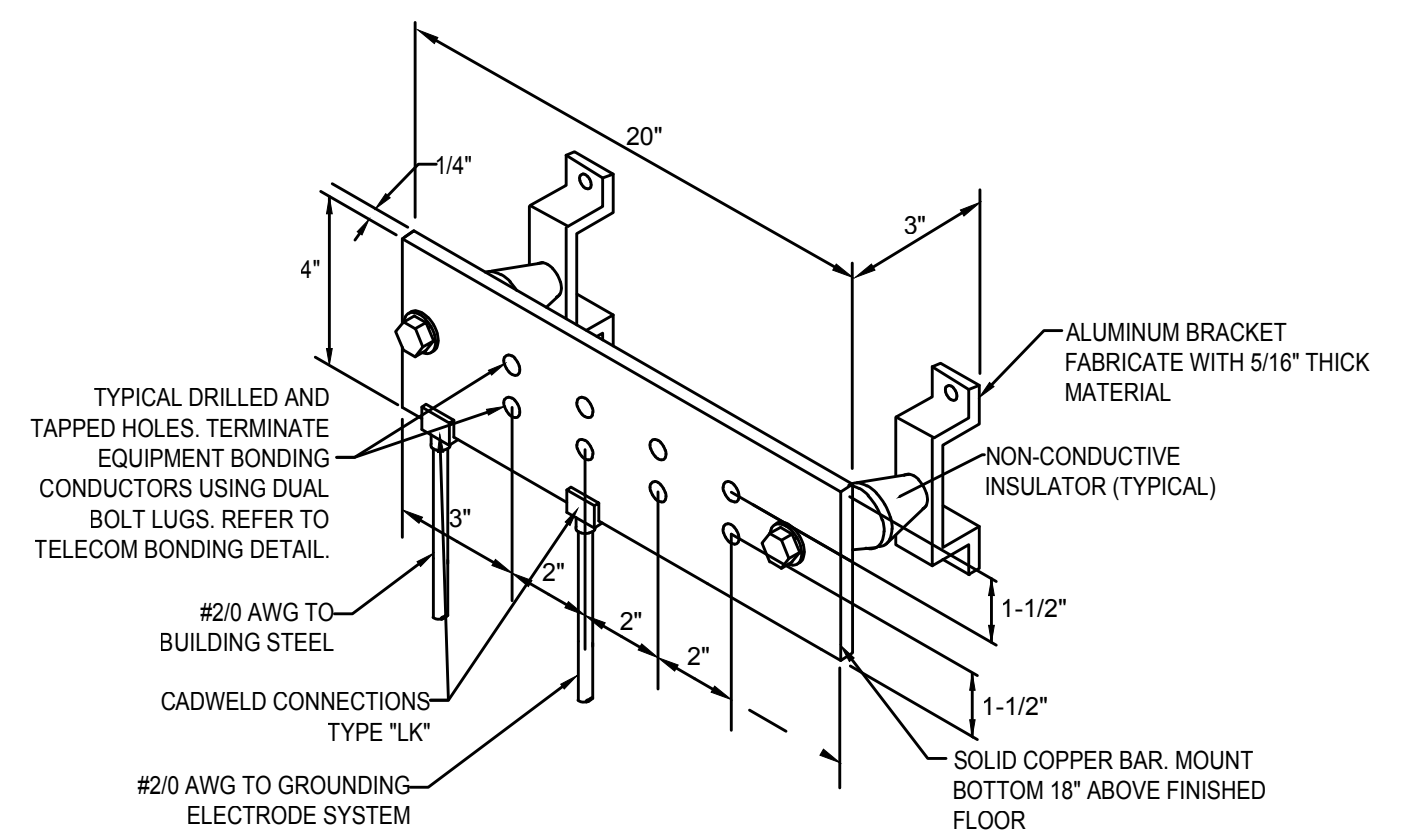
PROJECT NUMBER: 15012-0020

**TECHNOLOGY RESEARCH & CONSULTING, INC.**  
437 Gaston Foster Rd., Orlando, FL 32807  
Voice: (407) 273-6000  
Fax: (407) 273-6004  
Web: http://www.techcon.net

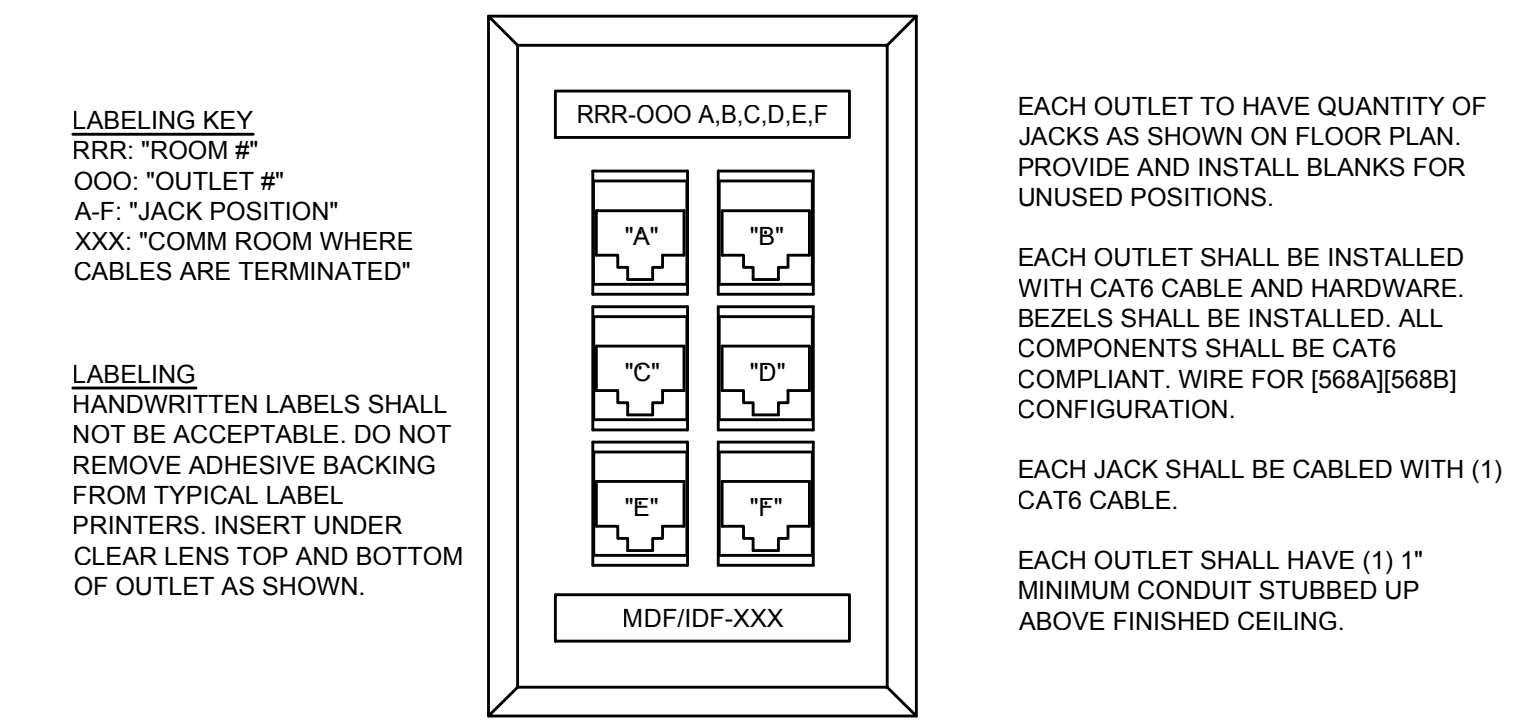
T901



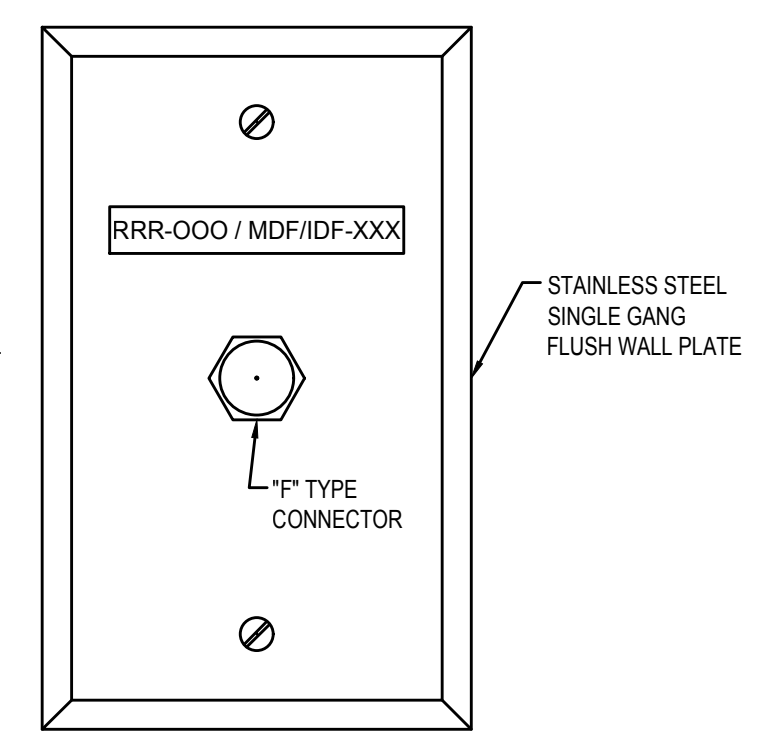
3 27 26 26 TYP. TELECOM RM BONDING DETAIL  
SCALE: 3/32" = 1'-0"



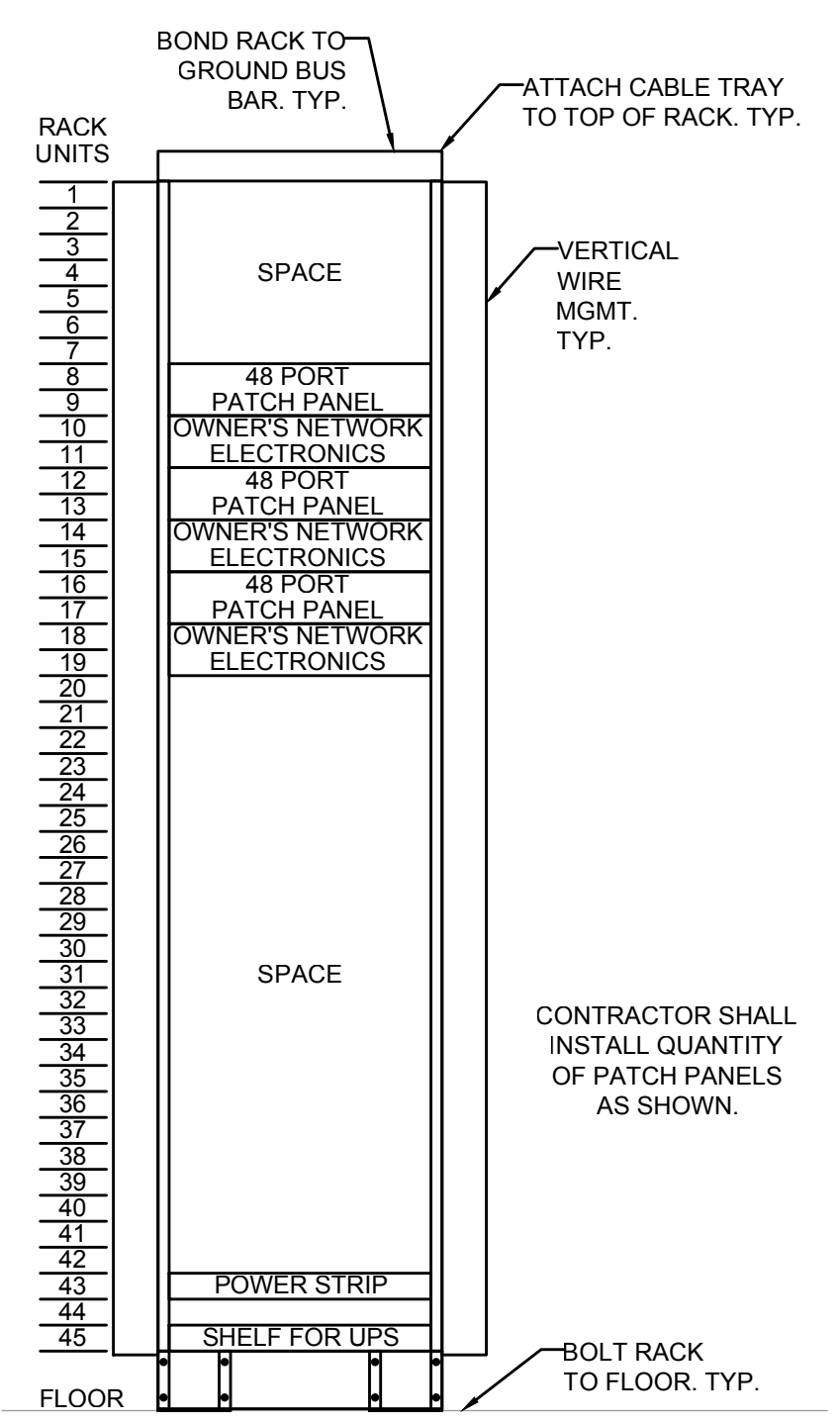
4 27 26 26 GROUND BUS BAR DETAIL  
SCALE: 3/32" = 1'-0"



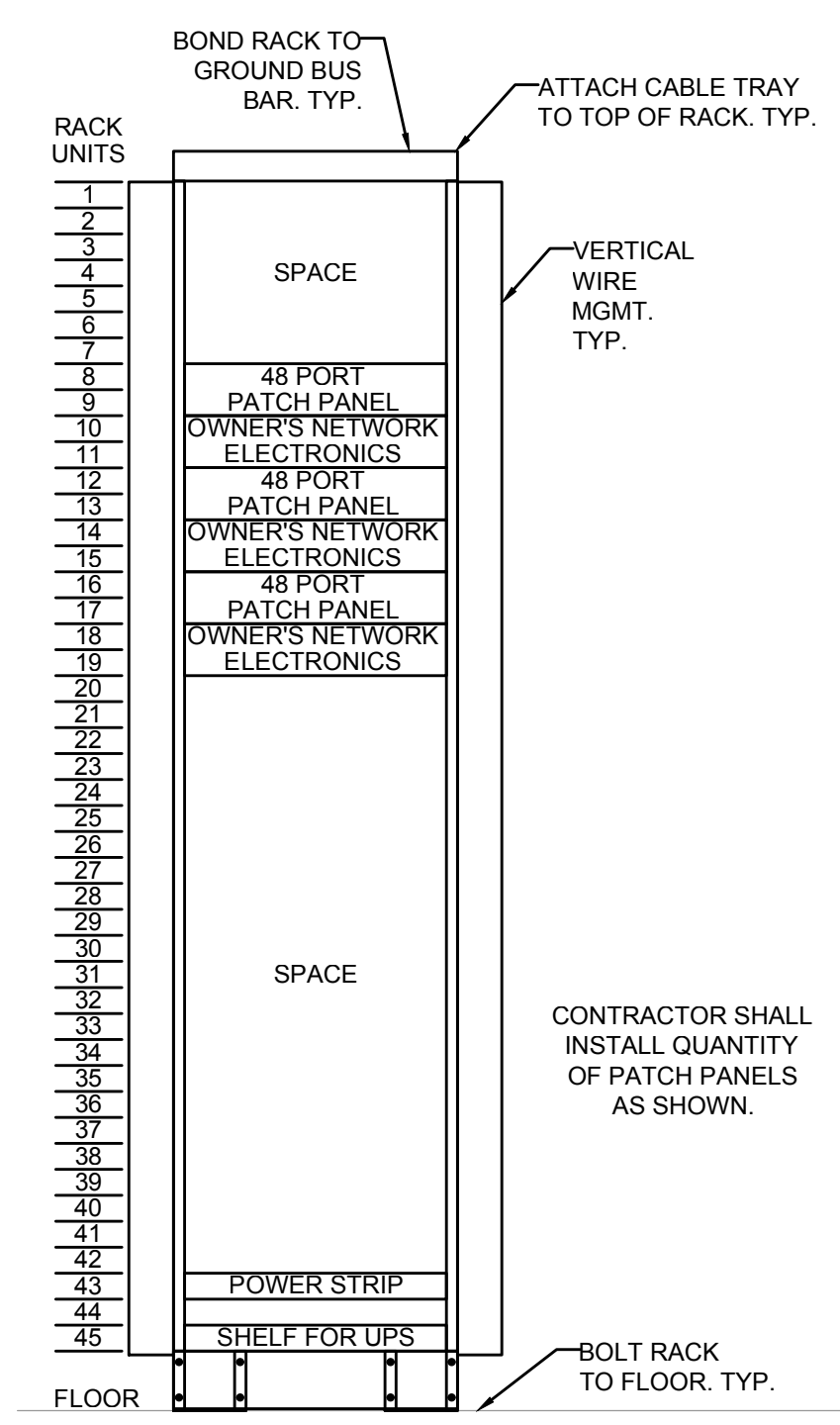
5 27 26 26 VOICE DATA OUTLET DETAIL  
SCALE: 3/32" = 1'-0"



6 27 58 00 TV OUTLET DETAIL  
SCALE: 3/32" = 1'-0"



7 27 26 26 IDF (241) RACK ELEVATION  
SCALE: 3/32" = 1'-0"



8 27 26 26 IDF (241) RACK ELEVATION  
SCALE: 3/32" = 1'-0"

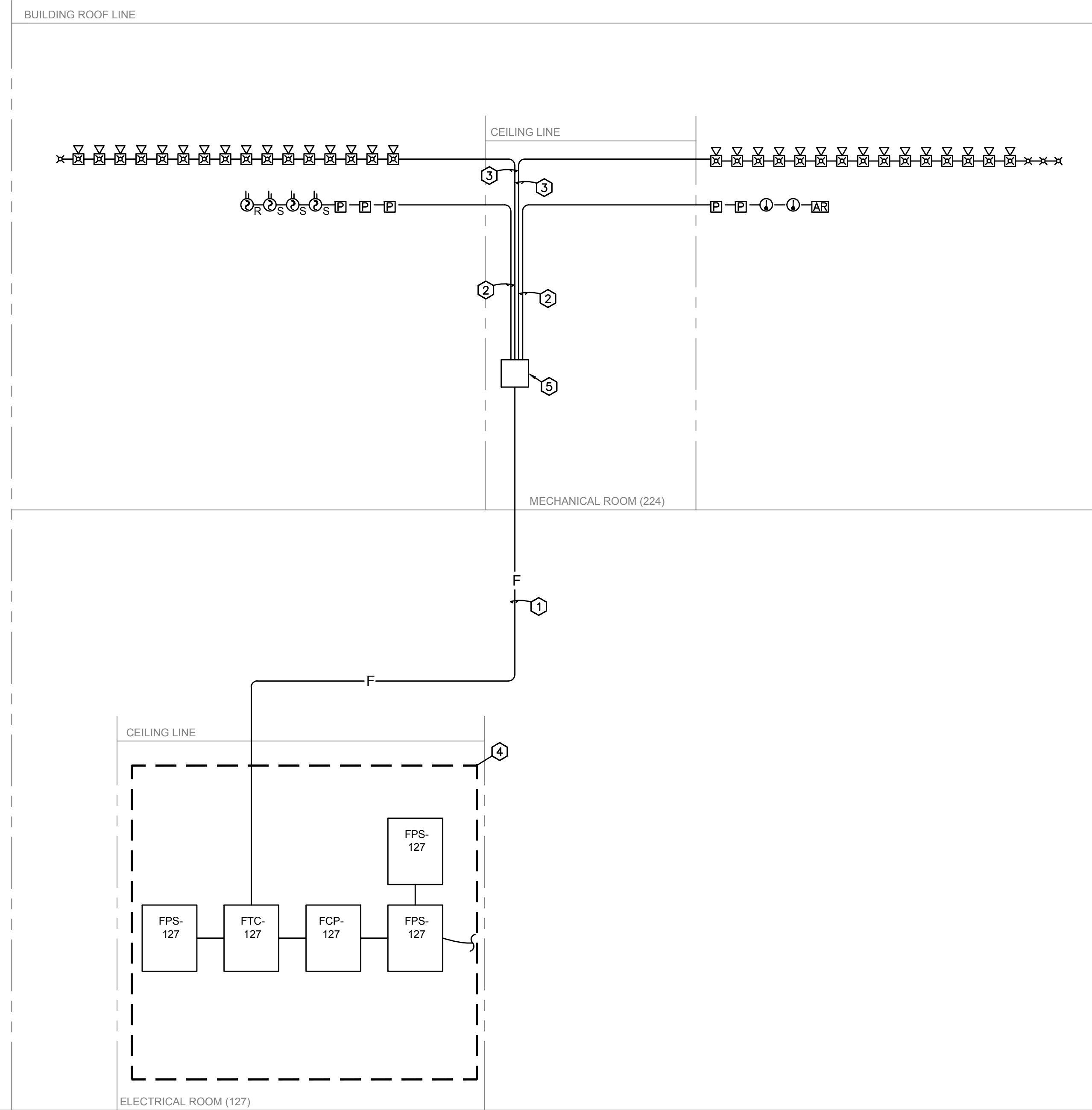
CABLE PURPOSE	CABLE DESCRIPTION
INITIATION DEVICE CIRCUIT (IDC)	TWO (2) CONDUCTOR, JACKETED, 14 AWG, FPL RATED
VISUAL NOTIFICATION APPLIANCE CIRCUIT (NAC)	TWO (2) CONDUCTOR, JACKETED, 12 AWG, FPL RATED
AUDIBLE NOTIFICATION APPLIANCE CIRCUIT (NAC)	TWO (2) CONDUCTOR, JACKETED, 18 AWG, FPL RATED
ADDRESSABLE SIGNALING LINE CIRCUIT (SLC)	TWO (2) CONDUCTOR, JACKETED, 18 AWG, FPL RATED
MAGNETIC DOOR HOLD OPEN CIRCUIT	TWO (2) CONDUCTOR, JACKETED, 14 AWG, FPL RATED
24 VDC POWER CIRCUIT	TWO (2) CONDUCTOR, JACKETED, 18 AWG, FPL RATED
DUCT DETECTOR INDICATOR SWITCH	FOUR (4) CONDUCTOR, JACKETED, 14 AWG, FPL RATED
SERIAL LINE CIRCUIT TO ANNUNCIATOR PANEL	TWO (2) CONDUCTOR, JACKETED, 14 AWG, FPL RATED
WET LOCATION RATED SITE SERIAL LINE CIRCUIT	TWO (2) CONDUCTOR, JACKETED, 14 AWG, FPL RATED
WET LOCATION RATED INITIATION DEVICE CIRCUIT (IDC)	TWO (2) CONDUCTOR, 14 AWG, THWN RATED
WET LOCATION RATED SIGNALING LINE CIRCUIT (SLC)	TWO (2) CONDUCTOR, 14 AWG, THWN RATED
WET LOCATION RATED NOTIFICATION APPLIANCE CIRCUIT (NAC)	TWO (2) CONDUCTOR, 14 AWG, THWN RATED
WET LOCATION RATED 24 VDC POWER CIRCUIT	TWO (2) CONDUCTOR, 14 AWG, THWN RATED

- NOTES:
- FIRE ALARM SYSTEM CABLEING SHALL BE AS RECOMMENDED BY THE EQUIPMENT MANUFACTURER
  - CONDUCTOR SIZES SHOWN ARE MINIMUM. CONTRACTOR SHALL INCREASE SIZE AS NECESSARY FOR THE INSTALLED LOAD.
  - MAINTAIN SEPARATION OF CIRCUITS AS REQUIRED BY MANUFACTURER OR CODE.
  - FPL DENOTES FIRE POWER LIMITED CABLE.
  - FPLR RATED CABLE SHALL BE USED IN RISER APPLICATIONS. FPLR RATED CABLE SHALL BE USED WHERE FREE-WIRED IN PLENUM SPACES.

**1** 27 31 00 FIRE ALARM CABLE REQ.  
T902 SCALE: 3/32" = 1'-0"

	FIRE ALARM SEQUENCE OF OPERATION												
	ACTIVATE BUILDING EVACUATION	ACTIVATE FLOOR SIGNAL	ACTIVATE STROBE SIGNAL	PRINTOUT OF SIGNAL	SIGNAL AT REMOTE ANNUNCIATOR	TRANSMIT TO CENTRAL STATION	RELEASE MANUALLY HELD DOORS	UNLOCK ELECTRICALLY LOCKED DOORS	SHUTDOWN OF MUSIC SYSTEM	INITIATE FIRE RECALL	INITIATE ELEVATOR SHUT DOWN	SMOKE CONTROL SYSTEM AFFECTED	AIR HANDLERS
MANUAL FIRE ALARM BOXES	X	X	X	X	X	X	X	X	X	X			
AREA SMOKE DETECTORS	X	X	X	X	X	X	X	X	X			X	X
DUCT SMOKE DETECTORS	X	X	X	X	X	X	X	X	X				X
SMOKES AT DOOR HOLD-OPENS	X	X	X	X	X	X	X	X	X				
GUEST ROOM SMOKE DETECTORS	X	X	X	X	X	X	X	X	X				
SMOKE DETECTORS IN ELEV. MACH. RM.	X		X	X	X	X	X	X	X			X	X
HEAT DETECTORS IN ELEV. MACH. RM.	X		X	X	X	X	X	X	X			X	X
ELEVATOR LOBBY SMOKE DETECTORS	X		X	X	X	X	X	X	X			X	X
HEAT DETECTORS	X		X	X	X	X	X	X	X			X	X
SPINKLER WATER FLOW	X		X	X	X	X	X	X	X			X	X
SPRINKLER TAMPER SWITCH	X		X	X	X	X	X	X	X			X	X
FIRE PUMP CONTROLLER	X		X	X	X	X	X	X	X			X	X
FIRE ALARM TROUBLE		X	X	X	X	X	X	X	X				
FIRE ALARM SUPERVISORY		X	X	X	X	X	X	X	X				
SUPPRESSION SYS SUPERVISORY		X	X	X	X	X	X	X	X				
CARBON MONOXIDE DETECTORS		X	X	X	X	X	X	X	X				
EMERGENCY GENERATOR SIGNALS		X	X	X	X	X	X	X	X				
KITCHEN AND SPECIAL SUPPRESSION	X		X	X	X	X	X	X	X				X

**2** 27 31 00 FIRE ALARM SEQUENCE OF OPS.  
T902 SCALE: 3/32" = 1'-0"

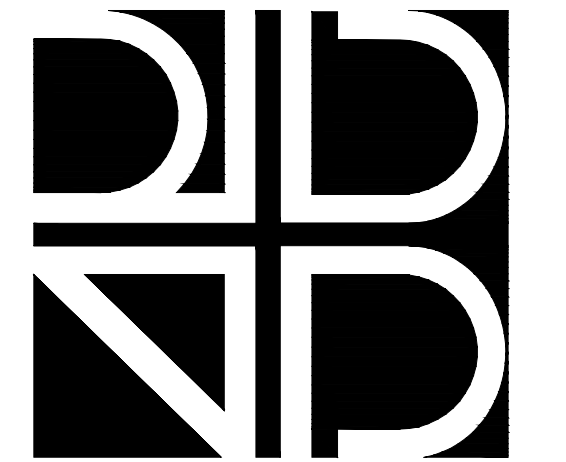


NOTE: RISER DIAGRAM IS DIAGRAMMATIC. CONTRACTOR SHALL INCLUDE IN HIS SUBMITTALS A DETAILED RISER DIAGRAM SHOWING ALL SYSTEM DEVICES INCLUDED IN SCOPE OF WORK, IDENTIFYING EACH BY ROOM NUMBER, AND SHOWING CIRCUITING AND CABLE TYPES AS RECOMMENDED BY THE EQUIPMENT MANUFACTURER.

**3** 27 31 00 RISER DIAGRAM  
T902 SCALE: 3/32" = 1'-0"

NOTES

- GENERAL NOTES
- REFER TO TELECOMMUNICATIONS GENERAL NOTES ON SHEET T001.
- HEX NOTES
- EXISTING FIRE ALARM CONDUIT WITH NEW CABLE.
  - SLC LOOP CIRCUIT.
  - NAC CIRCUIT.
  - EXISTING EQUIPMENT, RACEWAY, CABLES, ETC. AFFECTED BY ARCHITECTURAL WALL BEING MOVED SHALL BE REWORKED BY CONTRACTOR AS NECESSARY. WHERE CABLEING IS NOT LONG ENOUGH TO REACH NEW EQUIPMENT LOCATIONS CONTRACTOR SHALL PROVIDE AND INSTALL NEW FROM PREVIOUS POINT OF TERMINATION.
  - EXISTING PULLBOX TO REMAIN.



rhodes + brito  
ARCHITECTS  
AA0002809  
605 E. ROBINSON STREET, SUITE 750  
ORLANDO, FL 32801  
PH (407) 648 - 7288  
www.rbarchitects.com

Consultants



Orange County Government

Orange County  
Government Capital  
Project Division

Orange County  
Code Enforcement Office  
Renovations

2450 West 33rd Street,  
Orlando, Florida 32839

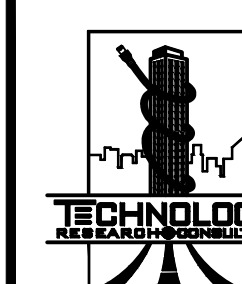
ALL REPRODUCTION AND INTELLECTUAL  
PROPERTY RIGHTS RESERVED ©

BID DOCUMENTS

DATE	SUBMISSION / REVISION	NO.

DETAILS & RISER  
DIAGRAM

SCALE: AS INDICATED  
DRAWN BY: DW  
CHECK BY: LJT  
DATE: 03/29/2018  
PROJECT NUMBER: 15012-0020



TECHNOLOGY RESEARCH  
& CONSULTING, INC.  
437 Gaston Foster Rd., Orlando, FL 32807  
Voice: (407) 273-6000  
Fax: (407) 273-6004  
Web: http://www.techrescon.net

T902