



# CONSTRUCTION PLANS FOR WALLACE ROAD INTERSECTION IMPROVEMENTS

ORANGE COUNTY - DISTRICT NO. 1  
PROJECT NO: 2722  
FPID 435587-1-58-01

THERESA JACOBS, COUNTY MAYOR

## BOARD OF COUNTY COMMISSIONERS

BETSY VANDERLEY DISTRICT 1  
ROD A. LOVE DISTRICT 2  
PETE CLARKE DISTRICT 3  
JENNIFER THOMPSON DISTRICT 4  
EMILY BONILLA DISTRICT 5  
VICTORIA P. SIPLIN DISTRICT 6

MARK V. MASSARO, P.E., PUBLIC WORKS DIRECTOR

GOVERNING STANDARDS AND SPECIFICATIONS:  
FLORIDA DEPARTMENT OF TRANSPORTATION  
DESIGN STANDARDS DATED 2017-18,  
AND ORANGE COUNTY SPECIFICATIONS, AS  
AMENDED BY CONTRACT DOCUMENTS.

NOTE: THE SCALE OF THESE PLANS MAY HAVE  
CHANGED DUE TO REPRODUCTION.

### LENGTH OF PROJECT

	LINEAR FT.	MILES
NET LENGTH OF PROJ.	1131.64	0.214
EXCEPTIONS	0.00	0.000
GROSS LENGTH OF PROJ.	1131.64	0.214

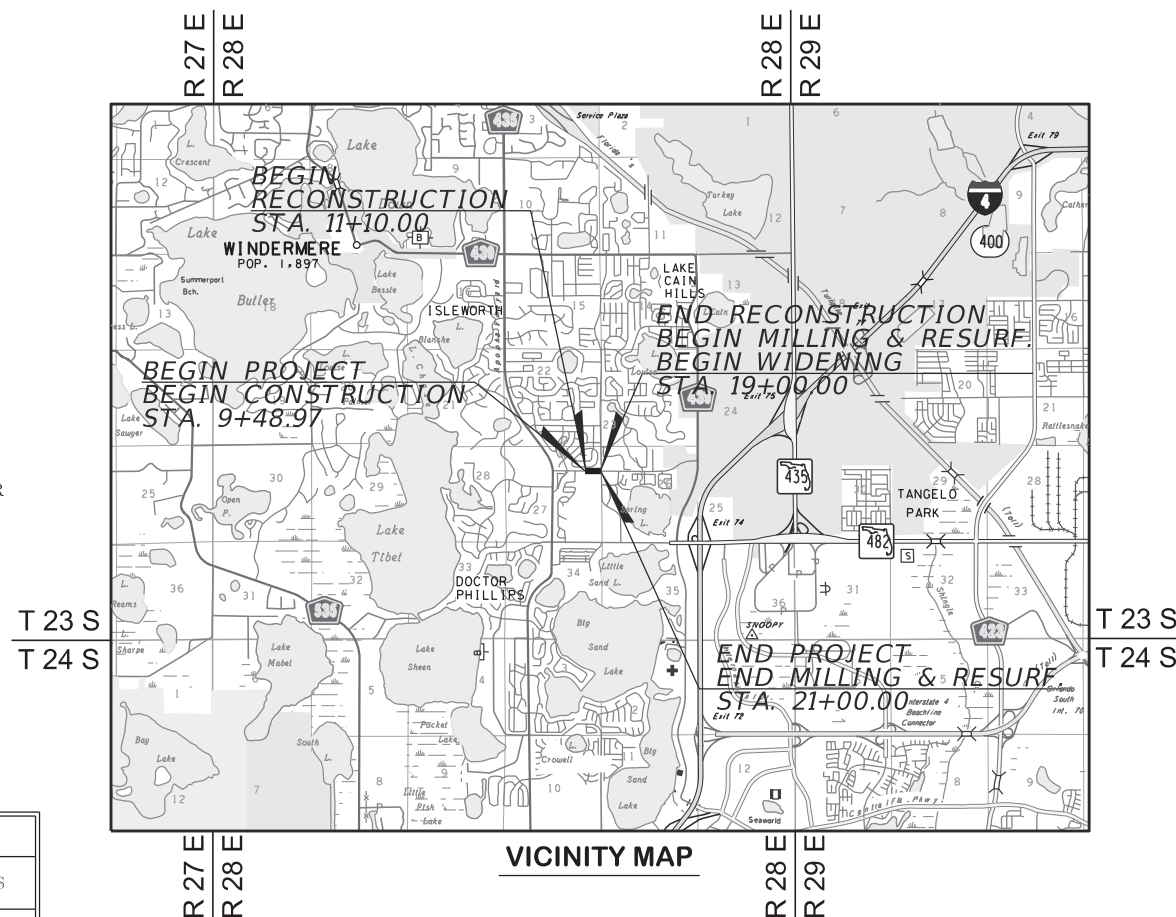
### SOURCE OF BENCH MARK DATUM

ALL ELEVATIONS SHOWN HEREON ARE IN 88 DATUM AND REFERENCED TO THE FOLLOWING BENCHMARKS:

L-1127-007 - RECOVERED 2 1/2" BRASS ORANGE COUNTY CONTROL DISC IN THE CENTERLINE OF ORANGE TREE SUBDIVISION ENTRANCE, 75 FEET +/- EAST OF THE CENTERLINE OF DR. PHILLIPS BOULEVARD AND 250' +/- SOUTH OF THE CENTERLINE OF CARAWAY DRIVE. ELEVATION = 159.286'

R-502-004 - RECOVERED "X" CUT SOUTHEAST CORNER OF 7' X 4' DROP INLET 25 FEET +/- SOUTH ENTERLINE OF WALLACE ROAD AND 240 FEET +/- EAST OF VALERIAN BOULEVARD. ELEVATION = 147.785'

L-829-005 - RECOVERED BOX CUT IN NORTH SIDE OF 5 FEET SIDEWALK, ON THE SOUTH SIDE OF WALLACE ROAD, 40 FEET +/- SOUTH OF CENTERLINE OF WALLACE ROAD, WEST OF CENTERLINE OF TEASEL DRIVE. ELEVATION = 155.529'



### NOTE:

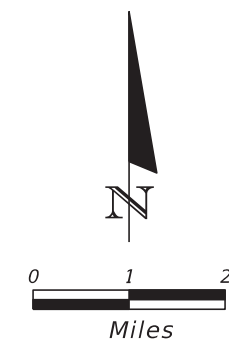
PLANS WERE PREPARED ACCORDING TO AVAILABLE INFORMATION TO ADEQUATELY ADDRESS CONDITIONS AS THEY EXISTED AT THE TIME OF PLANS PREPARATION. NEEDS, CONDITIONS AND OWNERSHIP OF PROPERTIES MAY HAVE CHANGED SINCE PROJECT DESIGN. THE COUNTY'S REPRESENTATIVE WILL ADDRESS CHANGES AND NEEDS WITH THE PROPERTY OWNER OR THEIR REPRESENTATIVES. CONTRACTOR SHALL WORK WITH THE COUNTY'S REPRESENTATIVE IN ADDRESSING AND MEETING NEEDS AND CONDITIONS THAT MAY HAVE CHANGED SINCE PLANS PREPARATION.

### CERTIFICATION TO PLANS

I HEREBY CERTIFY that the design for this project and the attached construction plans comply with the requirements of Section 336.045 of the Florida Statutes and are in substantial conformance with

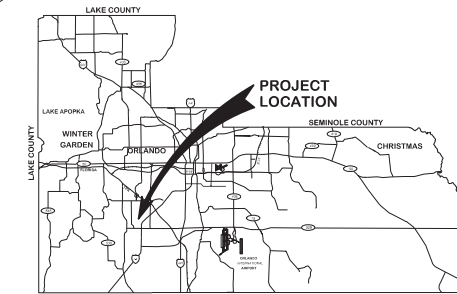
the standards contained in the edition of the "Manual of Uniform Minimum Standards for Design, Construction and Maintenance for Streets and Highways" in effect on this date as adopted by the Florida Department of Transportation pursuant to Subsection 336.045(1) of the Florida Statutes.

DATE: \_\_\_\_\_ ENGINEER: CLAUDE L. CASSAGNOL, P.E. REG. NO. 35490  
State of Florida



### LEGEND

- LIGHT POLE
- SIGN
- 4" GAS
- WATER VALVE
- WATER SERVICE
- FIRE HYDRANT
- 10" WM
- OVERHEAD ELECTRIC
- ELECTRIC POLE
- GUY WIRE
- SANITARY MANHOLE
- FIBER OPTIC DUCT RUN
- FIBER OPTIC BOX
- 16" FM
- 4' CHAIN LINK FENCE
- 6' WOOD FENCE
- PALM TREE
- OAK TREE
- BUSH
- F.S.E. FILL SLOPE EASEMENT
- D.E. DRAINAGE EASEMENT
- ABND ABANDONED
- OS OUT OF SERVICE
- ESTIMATED SEASONAL HIGH WATER TABLE
- ENCOUNTERED GROUNDWATER TABLE (6/11/10)



SEC. 26 & 27 TWP. 23 S, RGE. 28 E

### LOCATION MAP

### INDEX OF SHEETS

SHEET	DESCRIPTION
1	COVER SHEET
1A	SIGNATURE SHEET
2	GENERAL NOTES
3	STANDARD DRAWINGS AND DETAILS
4	SUMMARY OF PAY ITEMS
5	DRAINAGE MAP
6	TYPICAL SECTIONS
7	SUMMARY OF QUANTITIES
8	SUMMARY OF DRAINAGE STRUCTURES
9-11	PLAN AND PROFILE SHEETS
12	INTERSECTION DETAIL
13-14	DRAINAGE STRUCTURE SHEET
15-16	GEOTECHNICAL SHEETS
17-27	CROSS SECTIONS
28-30	EROSION CONTROL PLAN
31-33	UTILITY ADJUSTMENT PLAN
34-41	MAINTENANCE OF TRAFFIC
S-1 TO S-3	SIGNING AND PAVEMENT MARKING PLANS
T-1 TO T-7	SIGNALIZATION PLANS
SC-1	SURVEY CONTROL SHEET

### UTILITIES ENCOUNTERED

DUKE ENERGY	407-772-5308
BRIGHT HOUSE NETWORKS	407-532-8509
COMCAST	352-516-3824
TECO PEOPLES GAS	407-420-6609
ORANGE COUNTY UTILITES	407-254-9700
AT&T DISTRIBUTION	407-380-0938
FLORIDA PUBLIC UTILITIES	386-668-9319
ORLANDO UTILITIES COMMISSION	407-244-8736

### GTC Engineering Corporation

98 South Semoran Blvd, Orlando, FL 32807  
Phone Number - 407.380.0402

Certificate of Authorization Number 6758 Claude L. Cassagnol, P.E. P.E. Number 35490

REVISIONS	DATE	BY

DESIGNED BY: CLC/AM	DATE: 5/30/18
DRAWN BY: AM	DATE: 5/30/18
CHECKED BY: CLC	DATE: 5/30/18
APPROVED BY: CLC	DATE: 5/30/18
PROJECT NO: 2722	

SHEET 1 OF 53

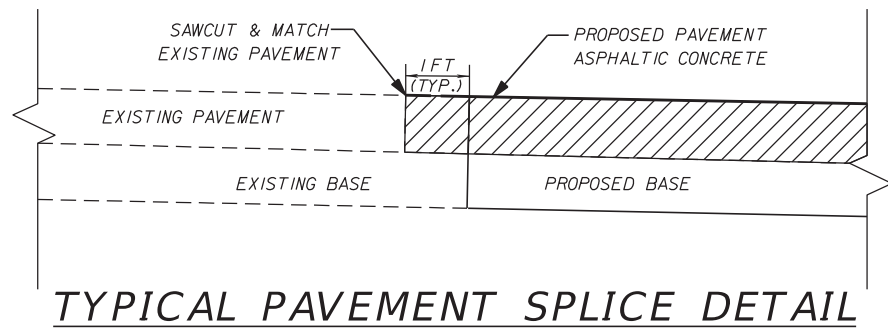
FINAL SUBMITTAL  
MAY, 2018

# GENERAL NOTES

- 1 ALL CONSTRUCTION SHALL BE IN ACCORDANCE WITH AND CONFORM TO THE MOST STRINGENT REQUIREMENT OF THE PROJECT SPECIFICATIONS, THE YEAR 2017 EDITION OF THE FLORIDA DEPARTMENT OF TRANSPORTATION STANDARD SPECIFICATIONS FOR ROAD AND BRIDGE CONSTRUCTION (FDOT), AND SUPPLEMENTS THERETO, AND ORANGE COUNTY ROAD CONSTRUCTION SPECIFICATIONS.
- 2 SUBSURFACE INFORMATION SHOWN ON THESE DRAWINGS WAS OBTAINED FOR USE IN ESTABLISHING DESIGN CRITERIA FOR THE PROJECT. THE ACCURACY OF THIS INFORMATION IS NOT GUARANTEED AND IS NOT TO BE CONSTRUED AS PART OF THE PLANS GOVERNING CONSTRUCTION OF THE PROJECT. IT IS THE RESPONSIBILITY OF THE CONTRACTOR TO INQUIRE OF THE ENGINEER IF ADDITIONAL INFORMATION IS AVAILABLE, TO MAKE ARRANGEMENTS TO REVIEW SAME PRIOR TO BIDDING, AND TO MAKE HIS OWN DETERMINATION AS TO ALL SUBSURFACE CONDITIONS.
- 3 ALL PERSONAL PROPERTY, EXCEPT MAIL BOXES, WITHIN THE RIGHT-OF-WAY NOT RELOCATED BY THE PROPERTY OWNER SHALL BE REMOVED BY THE CONTRACTOR AS NECESSARY TO CONSTRUCT THE PROJECT IN ACCORDANCE WITH THE PLANS. MAIL BOXES SHALL BE RELOCATED BY THE CONTRACTOR IN ACCORDANCE WITH FDOT DESIGN STANDARD 532. PAYMENT WILL BE INCLUDED IN THE PAY ITEM NO. 110-1 (CLEARING & GRUBBING).
- 4 THE DISPOSAL OF EXCESS EARTHWORK MATERIALS SHALL BE THE RESPONSIBILITY OF THE CONTRACTOR. APPROVALS OF DISPOSAL SITES SHALL BE OBTAINED FROM ORANGE COUNTY PRIOR TO DISPOSAL. ALL EXCESS MATERIAL IS THE PROPERTY OF THE CONTRACTOR.
- 5 ALL EXISTING TREES WITHIN THE LIMITS OF CONSTRUCTION ARE TO BE REMOVED UNLESS OTHERWISE NOTED ON THE PLANS OR AS DIRECTED BY THE ENGINEER. ANY TREE REMOVAL TO BE PERFORMED UNDER CLEARING AND GRUBBING.
- 6 SOD ALL DISTURBED AREAS UNLESS OTHERWISE SHOWN ON THE PLANS. SOD SHALL MATCH EXISTING TYPE SOD UNLESS OTHERWISE DIRECTED BY THE ENGINEER.
- 7 INSTALL TOPSOIL TREATMENT ON ALL PERMANENT GRASS AREAS. COST TO BE INCLUDED IN CONTRACT UNIT PRICE FOR SOD.
- 8 PEGGED SOD TO BE PLACED ON ALL SLOPES 3:1 OR STEEPER.
- 9 SAWCUT CONCRETE DRIVEWAYS AS REQUIRED FOR CONSTRUCTION. COST TO BE INCLUDED IN PAY ITEM 110-1-1 CLEARING & GRUBBING.
- 10 ALL PAVEMENT OFFSETS SHOWN ARE FROM PROPOSED CENTERLINE OF CONSTRUCTION; ALL RADII AND DIMENSIONS ARE TO PROPOSED EDGE OF PAVEMENT.
- 11 FOR STABILIZATION AT TURNOUTS AND DRIVEWAY CONNECTIONS, SEE STANDARD INDEX No. 515 AND TYPICAL SECTIONS FOR DEPTH AND LBR.
- 12 DRIVEWAY LOCATIONS AND WIDTHS SHOWN ARE APPROXIMATE AND MAY BE ADJUSTED AS DIRECTED BY THE ENGINEER.
- 13 THE CONTRACTOR SHALL PERFORM HIS WORK IN ACCORDANCE WITH REQUIREMENTS OF THE VARIOUS PERMITS INCLUDED IN THE BID SPECIFICATIONS. PAYMENT IS INCLUDED IN THE BID PRICE FOR PAY ITEM 104-14; "PREVENTION, CONTROL, AND ABATEMENT OF EROSION AND WATER POLLUTION (LS)", EXCLUDING ITEMS SPECIFIED ELSEWHERE. ENVIRONMENTAL CONTROLS SHALL BE USED AT LOCATIONS DESIGNATED IN THE PLANS AND/OR DESIGNATED BY THE ENGINEER.
- 14 THE INFORMATION SHOWN ON THESE DRAWINGS CONCERNING TYPE AND LOCATION OF UNDERGROUND AND OTHER UTILITIES IS BASED ON AVAILABLE RECORDS AND SURVEYS BUT IS NOT GUARANTEED TO BE ACCURATE OR ALL INCLUSIVE. THE CONTRACTOR SHALL MAKE HIS OWN DETERMINATION AS TO THE TYPE AND LOCATION OF UTILITIES AS MAY BE NECESSARY TO AVOID DAMAGE THERETO AND IS RESPONSIBLE FOR COORDINATING UTILITY RELOCATION WITH PROJECT CONSTRUCTION. PRIOR TO ORDERING DRAINAGE STRUCTURES, THE CONTRACTOR SHALL DETERMINE IF DRAINAGE/UTILITY CONFLICTS EXIST. INFORMATION ON CONFLICTS IS TO BE SUBMITTED TO THE ENGINEER AS SOON AS POSSIBLE AFTER DISCOVERY FOR RESOLUTION. SUNSHINE STATE ONE CALL MUST BE NOTIFIED FOR LOCATES AT 1-800-432-4770.
- 15 UTILITIES ARE TO BE ADJUSTED BY OTHERS OR AS DIRECTED BY THE ENGINEER.
- 16 THE CONTRACTOR SHALL NOTIFY ALL GAS UTILITY COMPANIES A MINIMUM OF TWO WORKING DAYS PRIOR TO EXCAVATION AS REQUIRED BY CHAPTER 553.851 AND 556.105 OF THE FLORIDA STATUTES.
- 17 ALL DRAINAGE PIPES SHALL BE STEEL REINFORCED CONCRETE PIPE, CLASS III, UNLESS OTHERWISE NOTED.
- 18 MEASUREMENT OF DRAINAGE PIPE FOR PAYMENT SHALL BE DETERMINED FROM ACTUAL LENGTHS INSTALLED.
- 19 ALL MANHOLE COVERS SHALL INCLUDE THE ORANGE COUNTY LOGO AND BE IDENTIFIED AS "ORANGE COUNTY SANITARY", "ORANGE COUNTY STORM", OR "ORANGE COUNTY WATER", AS APPROPRIATE. (SEE STANDARD DRAWINGS AND DETAILS SHEET)
- 20 ALL INLET/MANHOLE - PIPE JOINTS SHALL BE FILLED WITH NON-SHRINK GROUT, COVERED WITH AN ASPHALTIC MASTIC COATING, AND WRAPPED WITH A FILTER FABRIC MATERIAL PER SECTION 13.03.03 OF THE ORANGE COUNTY ROAD CONSTRUCTION SPECIFICATIONS.
- 21 ALL CURB INLETS, DITCH BOTTOM INLETS, AND MANHOLES SHALL HAVE TRAFFIC BEARING FRAMES AND COVERS OR GRATES MEETING HS-20 LOADING REQUIREMENTS.
- 22 DESIGN CHANGES OF PIPE INVERTS NOT EXCEEDING PLUS OR MINUS ONE FOOT WILL NOT BE CONSIDERED AS A BASIS FOR ADDITIONAL COMPENSATION FOR THE PERTINENT PIPE BID ITEM OR FOR MODIFICATION OF PRECAST STRUCTURES.
- 23 ALL (P.R.M.'S) IRONS AND MONUMENTS SHOWN ON PLANS, OR FOUND, SHALL BE PRESERVED. THOSE SHOWN IN PROPOSED PAVEMENT SHALL BE PROTECTED WITH A CAST IRON VALVE BOX.
- 24 ANY U.S.C. AND G.S. MONUMENTS WITHIN THE LIMITS OF CONSTRUCTION SHALL BE PROTECTED. IF IN DANGER OF DAMAGE, THE CONTRACTOR SHALL NOTIFY THE PROJECT ENGINEER, ORANGE COUNTY SURVEY SECTION AT 407-836-7940, AND BOTH SHALL NOTIFY:  

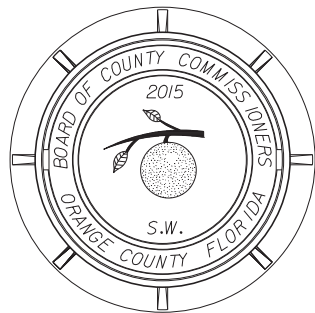
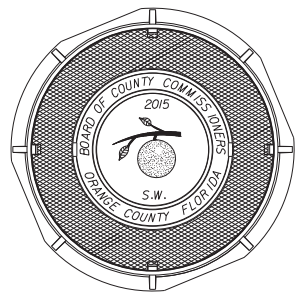
STATE GEODETIC ADVISOR, BUREAU OF SURVEY AND MAPPING MS 105 3800 COMMONWEALTH BLVD. TALLAHASSEE, FL 32399-3000 PHONE: (850) 245-2555 FAX: (850) 245-2645	ORANGE COUNTY SURVEYOR ENGINEERING DIVISION, PUBLIC WORKS DEPT. 4200 S. JOHN YOUNG PARKWAY ORLANDO, FL 32839-9205 PHONE: (407) 836-7940 FAX: (407) 836-8024
--	---
- 25 PUBLIC LAND CORNERS WITHIN THE LIMITS OF CONSTRUCTION SHALL BE PROTECTED. IF A CORNER MONUMENT IS IN DANGER OF BEING DESTROYED OR DISTURBED, THE CONTRACTOR SHALL NOTIFY THE PROJECT ENGINEER AND THE COUNTY SURVEYOR, WITHOUT DELAY, BY TELEPHONE (407-836-7940). THE CONTRACTOR SHALL PROVIDE WRITTEN FOLLOW UP CONFIRMATION WITHIN 48 HOURS OF TELEPHONE NOTIFICATION.
- 26 PRIOR TO BEGINNING ANY CONSTRUCTION, THE CONTRACTOR SHALL SUBMIT TO ORANGE COUNTY HIGHWAY CONSTRUCTION DIVISION A SET OF FIELD NOTES VERIFYING THE BENCHMARK ELEVATIONS AND THE REFERENCE POINT TIES SHOWN ON THE TITLE SHEET, SURVEY CONTROL SHEET, AND PLAN/PROFILE SHEETS, AND/OR A SET OF FIELD NOTES FOR ALL ADDITIONAL BENCHMARK AND REFERENCE POINT TIES PROPOSED TO BE USED IN CONSTRUCTING THE PROJECT WITH THEIR LOCATION, DESCRIPTION AND ELEVATION, BASED ON ORANGE COUNTY DATUM. ALL SUBMITTALS SHALL BE SIGNED AND SEALED BY A PROFESSIONAL LAND SURVEYOR REGISTERED IN THE STATE OF FLORIDA.
- 27 WITHIN 21 CALENDAR DAYS AFTER NOTICE TO PROCEED, THE CONTRACTOR SHALL STAKE THE RIGHT-OF-WAY AT 100' INTERVALS AND AT RIGHT-OF-WAY BREAKS WITH STATIONING SHOWN ON THE STAKES. NO INVOICE FOR PAYMENT WILL BE PROCESSED UNTIL THE RIGHT-OF-WAY HAS BEEN STAKED TO THE SATISFACTION OF THE ENGINEER. PAYMENT IS INCLUDED IN THE PRICE BID FOR ITEM NO. 101-1 "MOBILIZATION".
- 28 EXISTING TRAFFIC SIGNS SHALL REMAIN IN PLACE OR BE RELOCATED AS NEEDED BY THE CONTRACTOR UNTIL THE NEW SIGNS ARE INSTALLED. ONCE THE NEW SIGNS HAVE BEEN INSTALLED, THE EXISTING SIGNS SHALL BE REMOVED BY THE CONTRACTOR AND DELIVERED TO THE ORANGE COUNTY SIGN SHOP AT 4200 SOUTH JOHN YOUNG PARKWAY. COST OF RELOCATION, MAINTENANCE, REMOVAL, AND DELIVERY SHALL BE INCLUDED IN PAY ITEM 102-1, MAINTENANCE OF TRAFFIC.
- 29 ALL EXISTING DRAINAGE PIPE AND STRUCTURES AND UTILITIES WITHIN THE LIMITS OF CONSTRUCTION ARE TO REMAIN UNLESS OTHERWISE NOTED.
- 30 INLET ELEVATIONS SHOWN IN THE PLANS REFER TO THE TOP OF THE GRATE FOR DITCH BOTTOM INLETS.
- 31 ALL EXCAVATIONS SHALL BE REQUIRED TO CONFORM WITH THE PROVISIONS OF PART IV OF CHAPTER 553.60, F.S., ALSO KNOWN AS THE "TRENCH SAFETY ACT", TO PROTECT EXISTING PAVEMENT, STRUCTURES, FOUNDATIONS, AND CONSTRUCTION PERSONNEL DURING CONSTRUCTION OF THE PROJECT.
- 32 THE CONTRACTOR SHALL PROTECT EXISTING TREES THAT ARE TO REMAIN, INCLUDING MAINTAINING MINIMUM UNDISTURBED AREAS. WHEN NECESSARY TO CUT ROOTS OVER 1-1/2" DIA., THE CUT MUST BE CLEAN. TEMPORARILY COVER EXPOSED ROOTS WITH WET BURLAP TO PREVENT DRYING AND COVER WITH EARTH AS SOON AS POSSIBLE. INTERFERING BRANCHES MAY BE REMOVED AT THE DIRECTION OF A QUALIFIED TREE SURGEON. CONTRACTOR SHALL BE RESPONSIBLE FOR THE REPLACEMENT OF TREES DAMAGED BEYOND REPAIR WITH 3 TREES OF SIMILAR QUALITY AND SPECIES SIZED AT THE DIRECTION OF THE COUNTY. ALL TREES THAT ARE TO REMAIN, AS INDICATED IN THE PLANS, SHALL BE PROTECTED WITH A "TREE PROTECTION BARRICADE" PER FDOT INDEX NO. 544. THIS WORK IS TO BE PAID FOR AND INCLUDED UNDER CLEARING AND GRUBBING. CONTRACTOR TO USE EXTREME CAUTION WHEN WORKING IN THE VICINITY OF ANY TREES TO BE SAVED, WHETHER WITHIN THE WORK AREA OR OUTSIDE THE WORK AREA.
- 33 EROSION AND SEDIMENT CONTROL MEASURES ARE TO BE PLACED IN ACCORDANCE TO FDOT STANDARD INDEX NOS. 102 AND 103 PRIOR TO OR AS THE FIRST STEP IN CONSTRUCTION. SILT FENCE, ROCK BAGS, TURBIDITY BARRIERS, SYNTHETIC BALES, AND ALL OTHER EROSION AND SEDIMENT CONTROL DEVICES MUST REMAIN IN PLACE AND IN GOOD CONDITION AT ALL LOCATIONS SHOWN IN PLANS OR AS REQUIRED UNTIL THE CONTRACT IS COMPLETED AND SOILS ARE STABILIZED AND VEGETATION HAS BEEN ESTABLISHED. MEASURES SHOWN ARE THE MINIMUM REQUIRED, AND THE CONTRACTOR WILL ENSURE THAT THERE IS NO DIRECT OR INDIRECT DISCHARGE OF CONSTRUCTION MATERIALS IN TURBID WATERS, WATERWAYS, OR OFFSITE AREAS.
- 34 CONTRACTOR IS TO MAINTAIN UNINTERRUPTED ACCESS TO ALL DRIVEWAYS AND SIDESTREETS AT ALL TIMES AND TO NOTIFY PROPERTY OWNERS FIVE DAYS PRIOR TO STARTING CONSTRUCTION.

REVISIONS				<b>GTC Engineering Corporation</b> <small>98 South Semoran Blvd, Orlando, FL 32807 Phone Number - 407.380.0402</small>	<b>ORANGE COUNTY PUBLIC WORKS</b>			<b>GENERAL NOTES</b>	SHEET NO.  2
DATE	DESCRIPTION	DATE	DESCRIPTION		GTC PROJECT NO.	WALLACE ROAD INTERSECTION IMPROVEMENTS	OCPW PROJECT NO.		
				<small>Certificate of Authorization Number 6758</small>	<small>Claude L. Cassagnol, P.E. P.E. Number 35490</small>	<b>FLO 20.05</b>	<b>2722</b>		



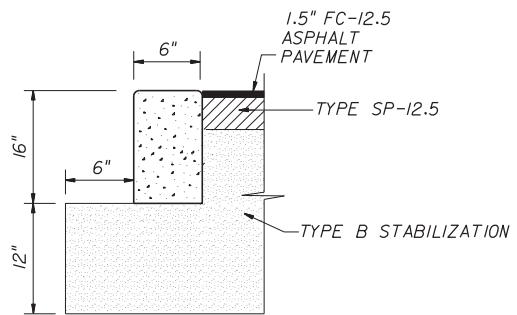
**TYPICAL PAVEMENT SPLICE DETAIL**

N.T.S.



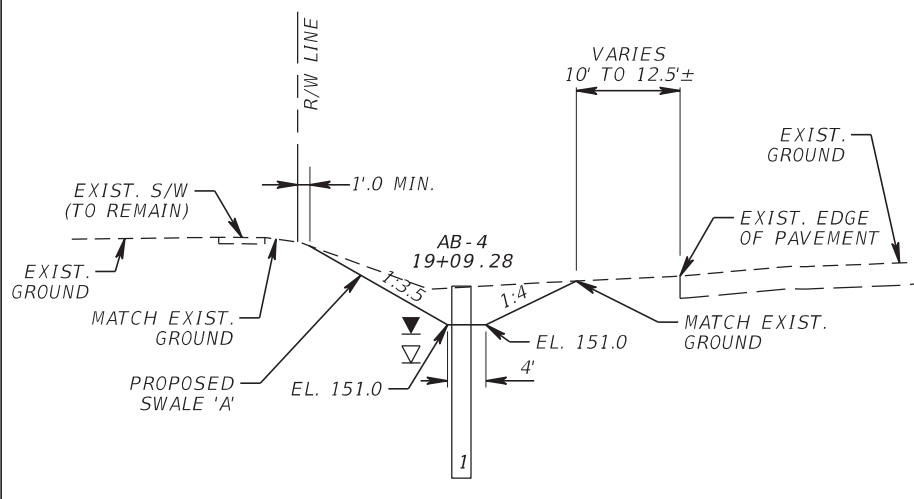
**STANDARD MANHOLE COVER**

N.T.S.

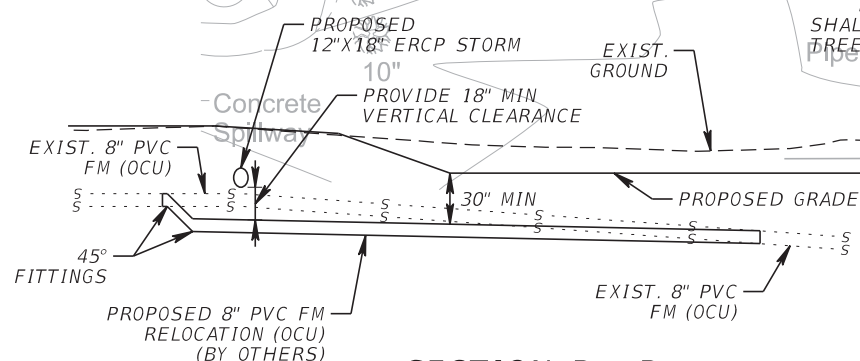


**6"x16" RIBBON CURB**

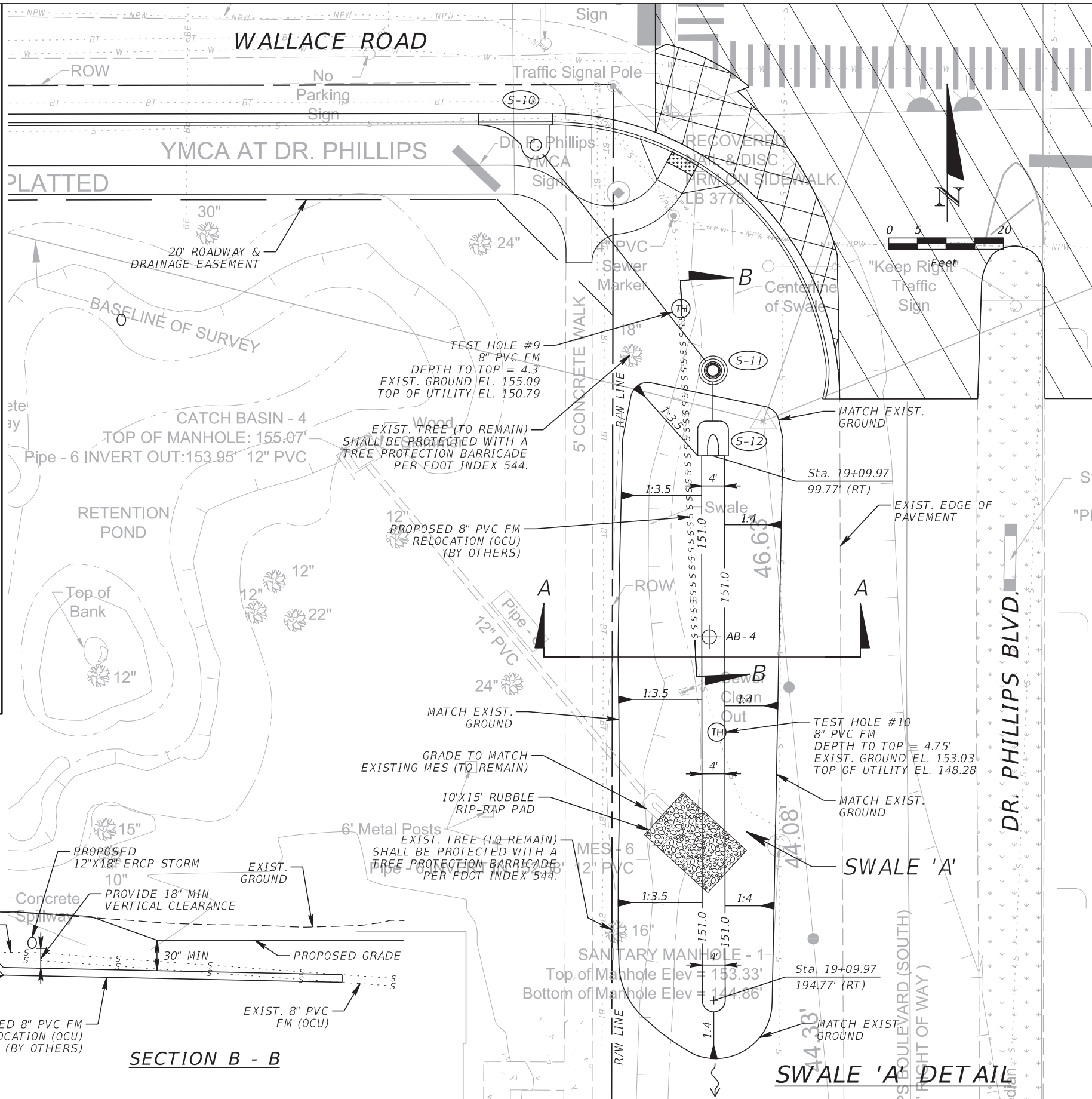
N.T.S.



**SECTION A - A**



**SECTION B - B**



REVISIONS			
DATE	DESCRIPTION	DATE	DESCRIPTION

**GTC Engineering Corporation**  
 98 South Semoran Blvd, Orlando, FL 32807  
 Phone Number - 407.380.0402  
 Certificate of Authorization Number 6758  
 Claude L. Cassagnol, P.E.  
 P.E. Number 35490

**ORANGE COUNTY PUBLIC WORKS**  
 GTC PROJECT NO. FLO 20.05  
 WALLACE ROAD INTERSECTION IMPROVEMENTS  
 OCPW PROJECT NO. 2722

**STANDARD DRAWINGS AND DETAILS**

SHEET NO. 3

**SUMMARY OF PAY ITEMS**

ITEM NUMBER	DESCRIPTION	UNIT	QUANTITY TOTAL	
			PLANS	FINAL
101-1	MOBILIZATION	LS	1	
102-1	MAINTENANCE OF TRAFFIC	LS	1	
104-14	PREVENTION, CONTROL AND ABATEMENT OF EROSION AND WATER POLLUTION	LS	1	
110-1-1	CLEARING & GRUBBING	LS	1	
120-9	EXCAVATION, EMBANKMENT AND GRADING	LS	1	
160-4	TYPE "B" STABILIZATION (12") (MIN. LBR 40)	SY	5,012	
270-12	12" SOIL CEMENT BASE COURSE (300 PSI)	SY	3,784	
285-7-13	BASE GROUP 13 - (8") (TYPE B-12.5) BLACK BASE	SY	58	
327-70-4	MILLING EXISTING ASPHALT PAVEMENT (3" AVG DEPTH),	SY	2,200	
334-1-13	TYPE SP-12.5 ASPHALTIC CONCRETE (1.5") (TRAFFIC LEVEL C)	SY	6,042	
337-7-43	ASPHALTIC CONCRETE FRICTION COURSE (1.5" FC-12.5) (TRAFFIC LEVEL C) (INCL. TACK COAT)	SY	6,042	
425-1-311	INLETS, CURB, TYPE P-1, <10'	EA	1	
425-1-321	INLETS, CURB, TYPE P-2, <10'	EA	1	
425-1-521	INLETS, DITCH BOTTOM, TYPE C, <10'	EA	1	
425-1-541	INLETS, DITCH BOTTOM, TYPE D, <10'	EA	1	
425-1-910	INLETS, CLOSED FLUME (TYPE I) (SINGLE BARREL)	EA	3	
425-2-41	MANHOLES, P-7, <10'	EA	1	
425-2-61	MANHOLES, P-8, <10'	EA	3	
430-175-118	PIPE CULVERT, STEEL REINFORCED CONCRETE, CLASS III, ROUND, 18"	LF	21	
430-175-215	PIPE CULVERT, STEEL REINFORCED CONCRETE, CLASS IV, ELLIPTICAL, 12"X18"	LF	78	
430-175-224	PIPE CULVERT, STEEL REINFORCED CONCRETE, CLASS IV, ELLIPTICAL, 19"X30"	LF	182	
430-94-2	DESILTING PIPE, 0 - 24"	LF	343	
430-982-623	MITERED END SECTION, CLASS IV, ELLIPTICAL, 12"X18" CD	EA	1	
520-1-7	CONCRETE CURB & GUTTER (TYPE E)	LF	1,072	
520-1-8	CONCRETE CURB & GUTTER, SPECIAL (RIBBON)	LF	77	
520-1-10	CONCRETE CURB & GUTTER (TYPE F)	LF	1,465	
520-3	VALLEY GUTTER - CONCRETE	LF	45	
522-1	SIDEWALK CONCRETE, 4" THICK	SY	808	
527-2	DETECTABLE WARNINGS	SF	115.5	
530-3-3	RIPRAP - RUBBLE, BANK AND SHORE	TN	24	
570-1-2	PERFORMANCE TURF (SOD)	SY	2,791	
603-1	SIGNALIZATION	LS	1	
700-1-11	SINGLE POST SIGN, F&I GM, <12 SF	AS	8	
700-1-60	SINGLE POST SIGN, REMOVE	AS	5	
705-11-1	DELINEATOR, FLEXIBLE TUBULAR	EA	6	
706-3-1	RETRO REFLECTIVE PAVEMENT MARKERS (BI-DIRECTIONAL) (WHITE-RED)	EA	56	
706-3-2	RETRO REFLECTIVE PAVEMENT MARKERS (BI-DIRECTIONAL) (YELLOW-YELLOW)	EA	68	
710-90	PAINTED PAVEMENT MARKINGS, FINAL SURFACE	LS	1	
711-11-123	SOLID TRAFFIC STRIPE (WHITE) (12") (THERMOPLASTIC)	LF	748	
711-11-124	SOLID TRAFFIC STRIPE (WHITE) (18") (THERMOPLASTIC)	LF	28	
711-11-125	SOLID TRAFFIC STRIPE (WHITE) (24") (THERMOPLASTIC)	LF	897	
711-11-151	SKIP TRAFFIC STRIPE (6'-10') (6" WHITE) (THERMOPLASTIC)	LF	114	
711-11-160	PAVEMENT MESSAGES, THERMOPLASTIC, (SCHOOL)	EA	3	
711-11-170	DIRECTIONAL ARROWS, THERMOPLASTIC	EA	15	
711-11-224	SOLID TRAFFIC STRIPE (YELLOW) (18") (THERMOPLASTIC)	LF	96	
711-11-251	SKIP TRAFFIC STRIPE (2'-4') (6" YELLOW) (THERMOPLASTIC)	LF	46	
711-15-111	SOLID TRAFFIC STRIPE (WHITE) (6") (THERMOPLASTIC)	NM	0.557	
711-15-112	SOLID TRAFFIC STRIPE (WHITE) (8") (THERMOPLASTIC)	NM	0.023	
711-15-211	SOLID TRAFFIC STRIPE (YELLOW) (6") (THERMOPLASTIC)	NM	0.466	
900-1	AS-BUILT PLANS	LS	1	
900-3	GROUNDWATER TREATMENT & DISPOSAL	DA	120	
<b>ALTERNATIVE BID 1</b>				
900-2	INDEMNIFICATION	LS	1	

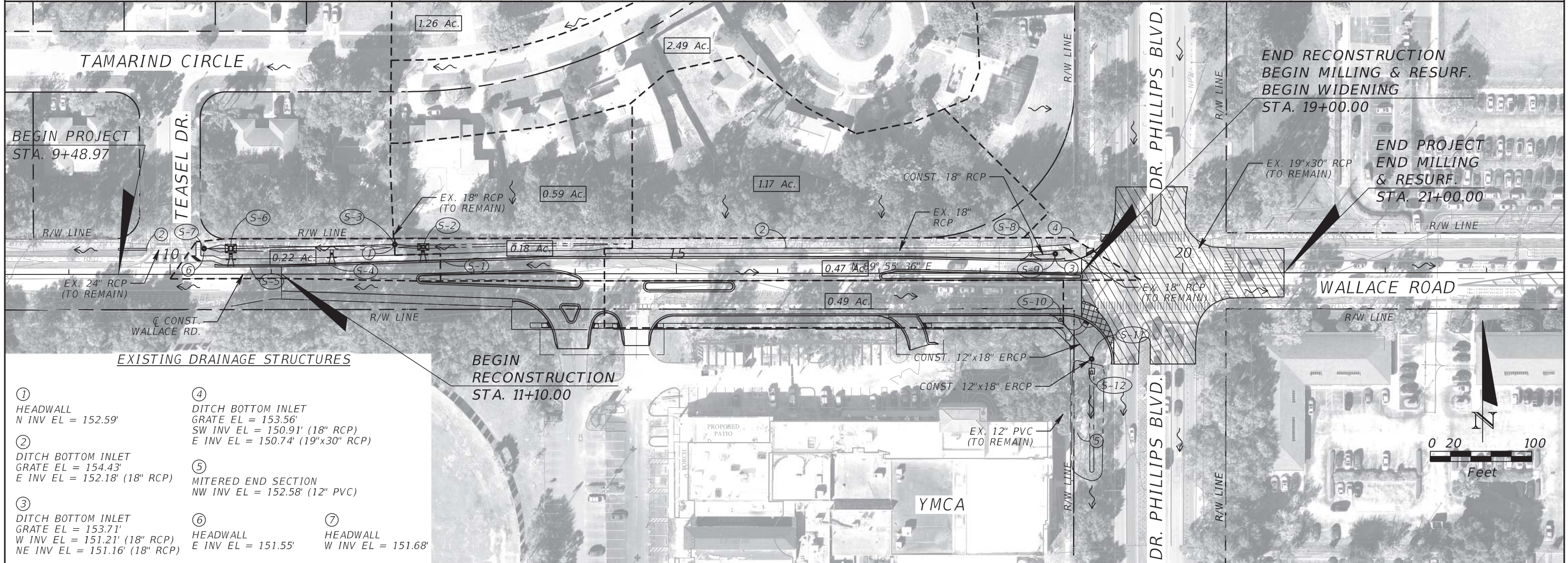
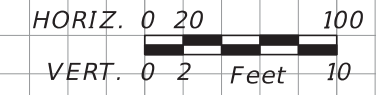
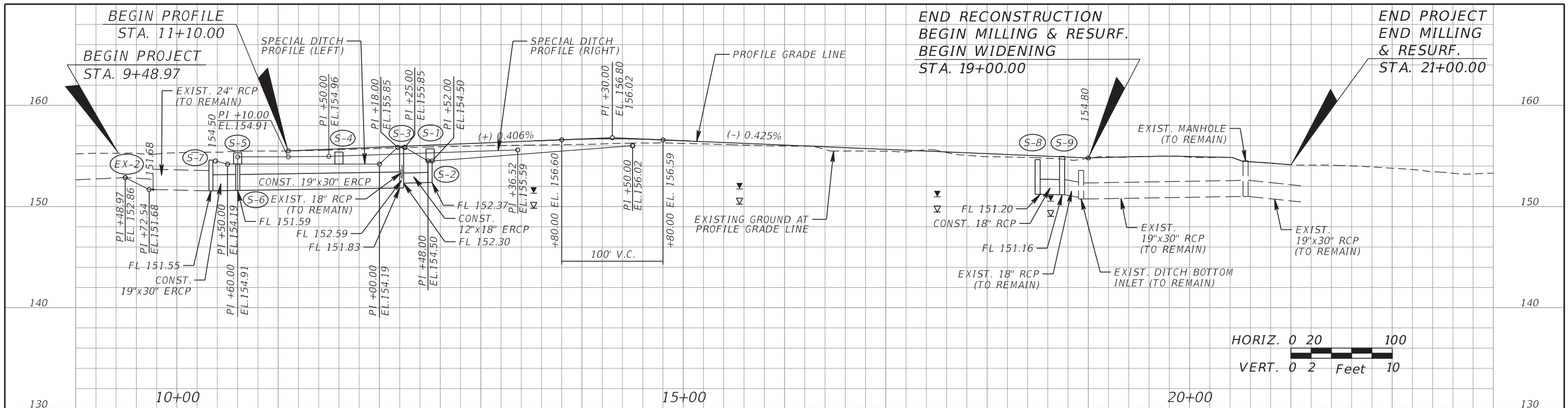
**PAY ITEM FOOTNOTES**

- 102-1 INCLUDES ALL ITEMS OF MAINTENANCE OF TRAFFIC INCLUDING, BUT NOT LIMITED TO, THE DESIGN OF THE MAINTENANCE OF TRAFFIC PLAN BY THE CONTRACTOR AND APPROVAL OF THE PLANS BY ORANGE COUNTY TRAFFIC ENGINEERING AND HIGHWAY CONSTRUCTION. ALSO INCLUDES ALL TEMPORARY STRIPING, REMOVAL OF EXISTING AND TEMPORARY STRIPING VIA HYDRO BLASTING, SIGNING, FLAGGERS, ETC. REQUIRED TO MAINTAIN TRAFFIC DURING CONSTRUCTION IN ACCORDANCE WITH THE MUTCD AND THE FDOT ROADWAY AND DESIGN STANDARDS, 2014 EDITION. ATTENTION IS DIRECTED TO THE 600 SERIES INDEX NUMBERS. NOTE THAT THE MAINTENANCE OF TRAFFIC PLAN SHOWN IN THE CONSTRUCTION PLANS IS FOR INFORMATION ONLY, FINAL PLAN TO BE SUBMITTED TO AND APPROVED BY THE COUNTY. THE MAINTENANCE OF TRAFFIC PLAN DONE BY THE CONTRACTOR SHALL BE SIGNED AND SEALED BY A PROFESSIONAL ENGINEER REGISTERED IN THE STATE OF FLORIDA.
- 104-14 INCLUDES THE COST OF ALL ITEMS REQUIRED FOR EROSION CONTROL INCLUDING, BUT NOT LIMITED TO SYNTHETIC BALES, TURBIDITY BARRIERS, SILT FENCES AND TEMPORARY GRASSING AS SHOWN IN THE PLANS OR AS DIRECTED BY THE ENGINEER.
- 110-1-1 INCLUDES, BUT IS NOT LIMITED TO, THE COST OF REMOVAL AND DISPOSAL OF CONCRETE CURBS, DRIVEWAYS, STRUCTURES, WALLS, BRICK WALLS, VARIOUS TYPES OF FENCES, CAPPING WELLS, REMOVAL AND DISPOSAL OF SEPTIC TANKS AND DRAIN FIELDS, UNDERGROUND STORAGE TANKS, PAVEMENT, BASE, AND TRIMMING OF TREES AND SHRUBS AS REQUIRED TO CONSTRUCT THE PROJECT. ALSO INCLUDES THE COST FOR SAWCUTTING EXISTING PAVEMENT OR CONCRETE AND TREE PROTECTION BARRICADES.
- 120-9 INCLUDES THE COST OF ALL EARTHWORK OPERATIONS TO CONSTRUCT THE PROJECT. NOT AN FDOT PAY ITEM.
- 522-1 INCLUDES THE COST OF CURB RAMPS PER FDOT INDEX 304.
- 527-2 INCLUDES THE COST OF ADDITIONAL DETECTABLE WARNING SURFACES AT THE NORTHWEST CORNER OF THE INTERSECTION OF WALLACE RD. AND DR. PHILLIPS BLVD. AS INDICATED ON THE INTERSECTION DETAILS SHEET.
- 570-1-2 INCLUDES THE COST OF SOD (MATCH EXISTING), PEGGING THE SOD, FERTILIZER AND WATER AS REQUIRED FOR ESTABLISHMENT OF PERMANENT SODDING. ALSO INCLUDES THE COST OF MOWING UNTIL FINAL PROJECT ACCEPTANCE BY THE COUNTY. SOD FOR POND SHALL BE SAND BASED.
- 603-1 NOT AN FDOT PAY ITEM.

DATE		DESCRIPTION		DATE		DESCRIPTION		<b>GTC Engineering Corporation</b> 98 South Semoran Blvd, Orlando, FL 32807 Phone Number - 407.380.0402  Certificate of Authorization Number 6758 Claude L. Cassagnol, P.E. P.E. Number 35490		<b>ORANGE COUNTY PUBLIC WORKS</b>  GTC PROJECT NO. FLO 20.05 WALLACE ROAD INTERSECTION IMPROVEMENTS OCPW PROJECT NO. 2722		SHEET NO.  4	
------	--	-------------	--	------	--	-------------	--	---	--	---	--	--------------------	--

**SUMMARY OF PAY ITEMS**

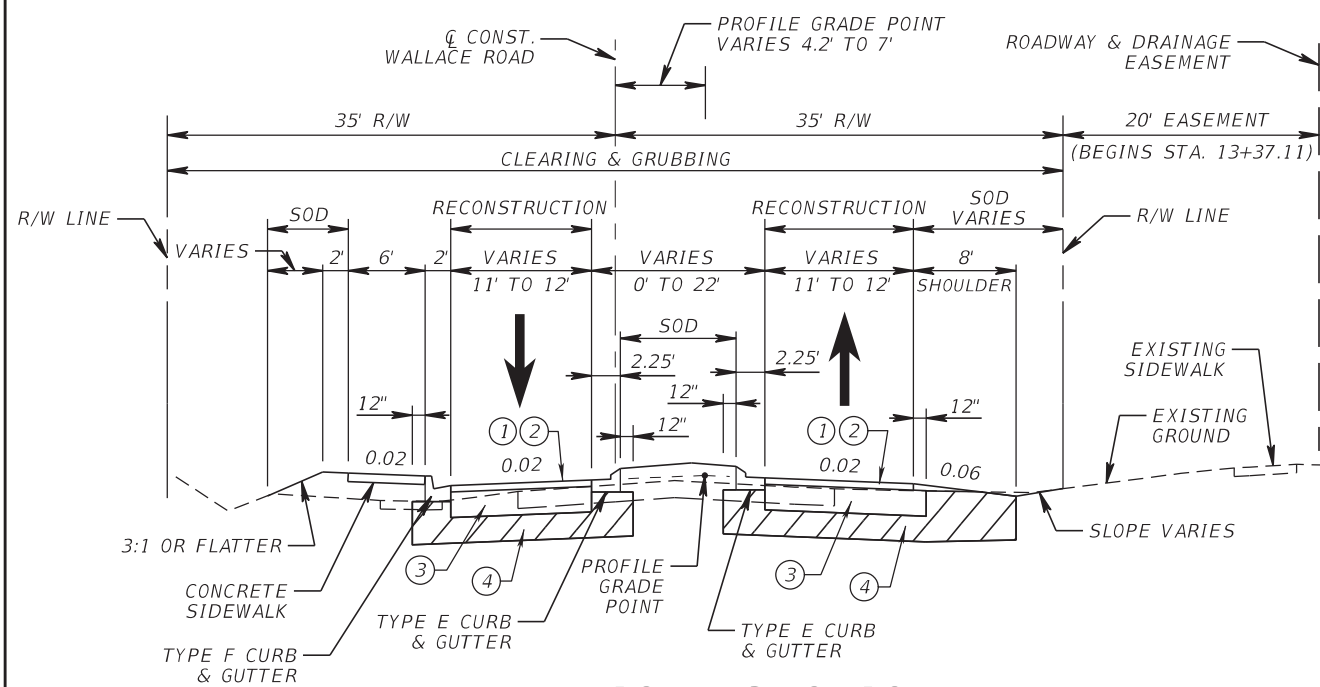
FILE: H:\Jobs\FLO20.05-Wallace\roadway\CESSRD01.DGN  
DATE: 6/8/2018 4:02:05 PM



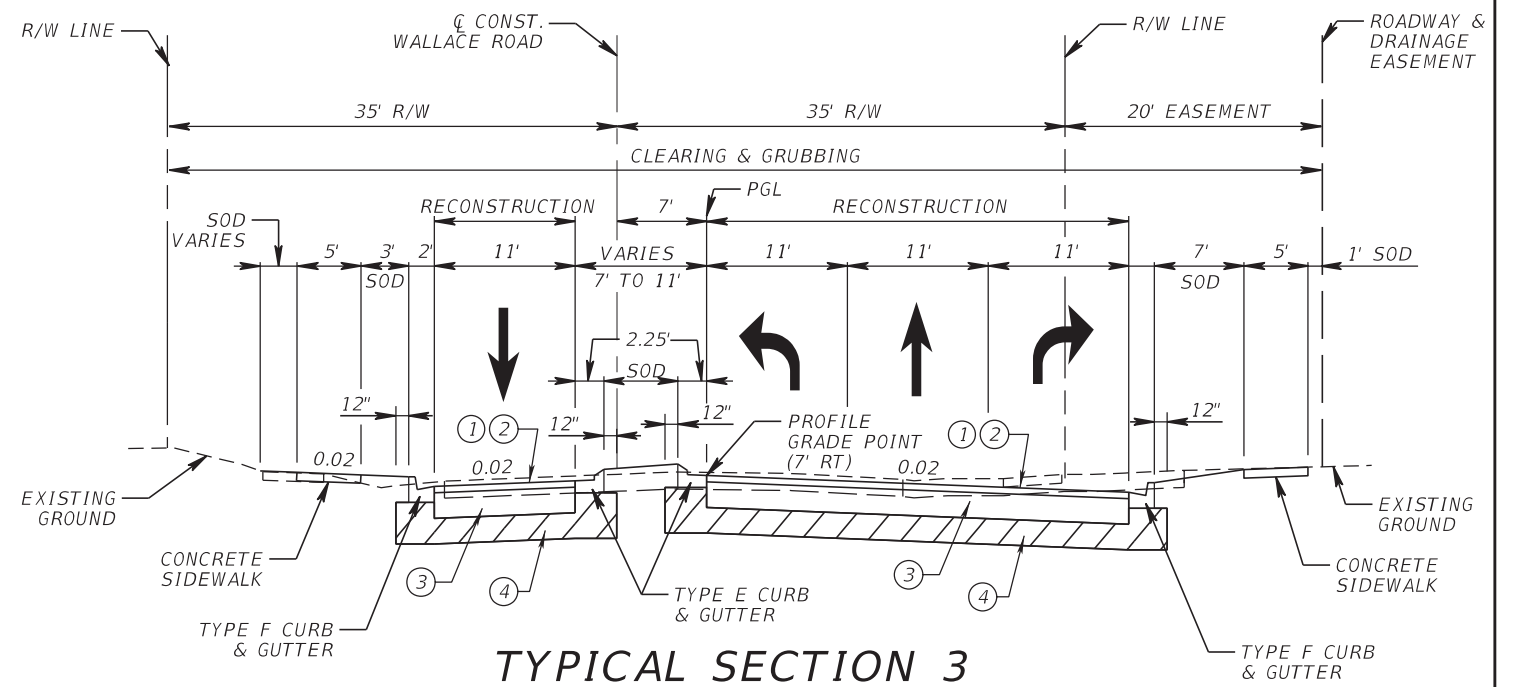
- ① HEADWALL  
N INV EL = 152.59'
- ② DITCH BOTTOM INLET  
GRATE EL = 154.43'  
E INV EL = 152.18' (18" RCP)
- ③ DITCH BOTTOM INLET  
GRATE EL = 153.71'  
W INV EL = 151.21' (18" RCP)  
NE INV EL = 151.16' (18" RCP)
- ④ DITCH BOTTOM INLET  
GRATE EL = 153.56'  
SW INV EL = 150.91' (18" RCP)  
E INV EL = 150.74' (19"x30" RCP)
- ⑤ MITERED END SECTION  
NW INV EL = 152.58' (12" PVC)
- ⑥ HEADWALL  
E INV EL = 151.55'
- ⑦ HEADWALL  
W INV EL = 151.68'

REVISIONS			
DATE	DESCRIPTION	DATE	DESCRIPTION

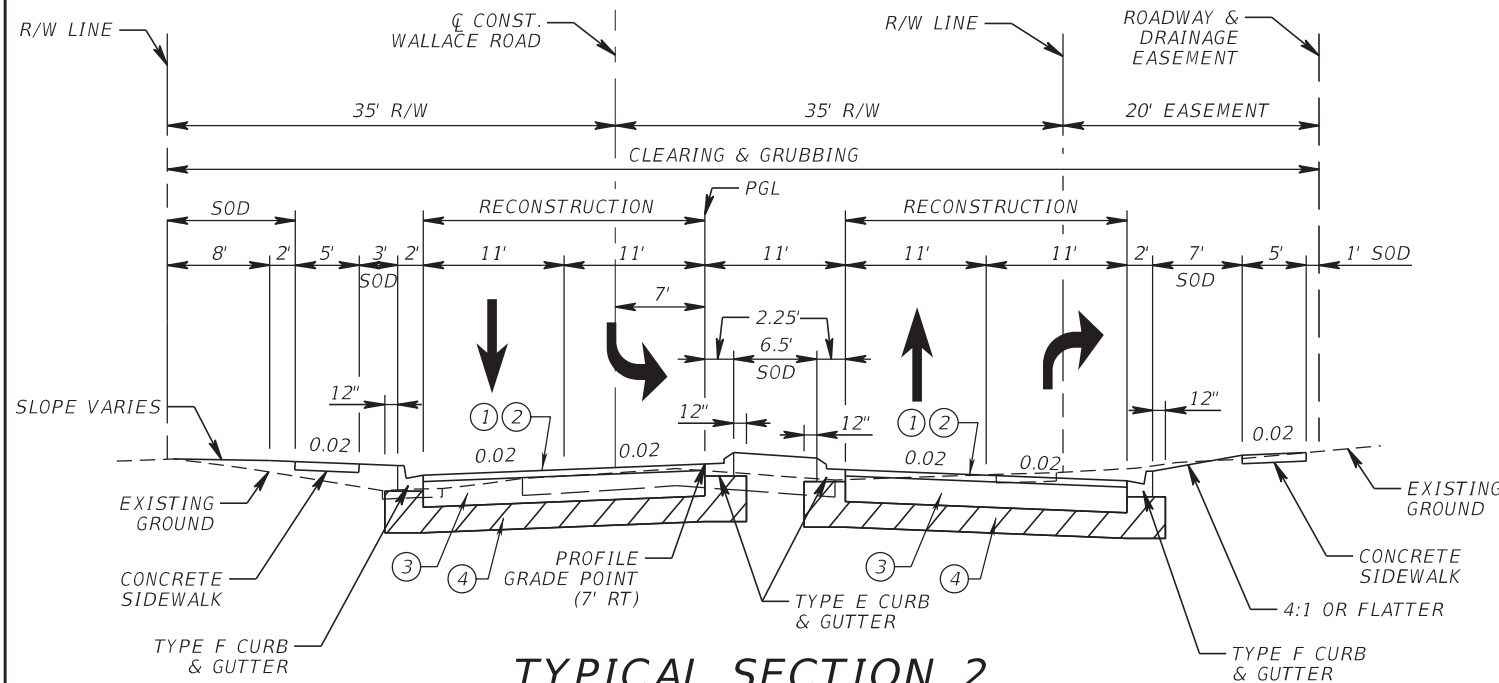
<b>GTC Engineering Corporation</b> 98 South Semoran Blvd, Orlando, FL 32807 Phone Number - 407.380.0402 Certificate of Authorization Number 6758 Claude L. Cassagnol, P.E. P.E. Number 35490		<b>ORANGE COUNTY PUBLIC WORKS</b> GTC PROJECT NO. FLO 20.05 WALLACE ROAD IMPROVEMENTS OCPW PROJECT NO. 2722		SHEET NO. 5
---	--	--	--	----------------



**TYPICAL SECTION 1**  
**WALLACE ROAD**  
**STA. 11+10.00 TO STA. 14+60.48**



**TYPICAL SECTION 3**  
**WALLACE ROAD**  
**STA. 17+00.00 TO STA. 19+00.00**



**TYPICAL SECTION 2**  
**WALLACE ROAD**  
**STA. 14+60.48 TO STA. 17+00.00**

**TRAFFIC DATA**

CURRENT YEAR = 2014 AADT = 12,068  
 ESTIMATED OPENING YEAR = 2015 AADT = 12,189  
 ESTIMATED DESIGN YEAR = 2035 AADT = 14,873  
 $K_{100} = 10.3\%$   $D = 62.7\%$   $T = * \% (24 \text{ HOUR})$   
 DESIGN HOUR  $T = * \%$   
 DESIGN SPEED = 40 MPH \* NOT AVAILABLE

**MILLING**  
**STA. 19+00.00 TO STA. 21+00.00**

MILL EXISTING ASPHALT PAVEMENT (3" AVG. DEPTH)

**RESURFACING**  
**STA. 19+00.00 TO STA. 21+00.00**

(1.5") FRICTION COURSE FC-12.5 (TRAFFIC C)  
 (1.5") TYPE SP-12.5 STRUCTURAL COURSE (TRAFFIC C)

**RECONSTRUCTION**  
**STA. 11+10.00 TO STA. 19+00.00**

- ① (1.5") FRICTION COURSE FC-12.5 (TRAFFIC C)
- ② (1.5") TYPE SP-12.5 STRUCTURAL COURSE (TRAFFIC C)
- ③ (12") SOIL CEMENT BASE COURSE (300 PSI) PRIMED
- ④ (12") TYPE "B" STABILIZATION (MINIMUM LBR 40)

**WIDENING**  
**STA. 19+00.00 TO STA. 19+32.09**

- ① (1.5") FRICTION COURSE FC-12.5 (TRAFFIC C)
- ② (1.5") TYPE SP-12.5 STRUCTURAL COURSE (TRAFFIC C)
- ⑤ (8") TYPE B-12.5 BASE

REVISIONS			
DATE	DESCRIPTION	DATE	DESCRIPTION

**GTC Engineering Corporation**  
 98 South Semoran Blvd, Orlando, FL 32807  
 Phone Number - 407.380.0402  
 Certificate of Authorization Number 6758  
 Claude L. Cassagnol, P.E.  
 P.E. Number 35490

**ORANGE COUNTY PUBLIC WORKS**  
 GTC PROJECT NO. WALLACE ROAD INTERSECTION IMPROVEMENTS  
 FLO 20.05  
 OCPW PROJECT NO. 2722

**TYPICAL SECTIONS**

SHEET NO.  
 6

SUMMARY OF CURB AND GUTTER TYPE E					
LOCATION	SIDE	TYPE F LENGTH (FT)		REMARKS	FIELD BOOK REFERENCE
STATION		P	F		
12+48.33 TO 12+48.36	RT	11			
12+48.33 TO 14+00.38	RT	152			
12+48.36 TO 13+71.39	LT	123			
13+71.39 TO 14+02.79	LT	32			
13+83.49 TO 13+85.15	RT	5			
13+83.49 TO 13+92.18	RT	18			
13+85.15 TO 13+97.17	RT	12			
13+93.74 TO 13+94.65	RT	4			
13+94.65 TO 13+97.62	RT	4			
13+97.17 TO 13+99.09	RT	3			
13+97.62 TO 13+97.84	RT	4			
13+98.13 TO 13+99.09	RT	17			
14+00.38 TO 14+02.79	RT	15			
14+12.20 TO 14+14.04	RT	6			
14+14.04 TO 14+14.31	RT	5			
14+14.31 TO 14+17.66	RT	17			
14+17.66 TO 14+43.15	RT	33			
14+43.15 TO 14+46.79	RT	18			
14+46.79 TO 14+48.54	RT	6			
14+72.71 TO 15+52.17	RT	80			
14+72.71 TO 14+72.71	RT	13			
14+72.71 TO 15+52.17	RT	80			
15+52.17 TO 15+52.17	RT	13			
17+03.93 TO 17+17.82	LT	14			
17+03.93 TO 17+04.47	RT	7			
17+04.47 TO 18+97.67	RT	193			
17+17.82 TO 18+97.66	LT	180			
18+97.66 TO 18+97.67	RT	6			
TOTAL:		1072			

SUMMARY OF CURB AND GUTTER TYPE F					
LOCATION	SIDE	TYPE F LENGTH (FT)		REMARKS	FIELD BOOK REFERENCE
STATION		P	F		
10+44.26 TO 11+10.00	LT	66			
11+10.00 TO 13+73.52	LT	264			
13+36.71 TO 13+42.71	RT	6			
13+42.71 TO 13+78.67	RT	59			
13+73.52 TO 17+17.79	LT	344			
13+78.67 TO 13+80.20	RT	6			
14+72.72 TO 14+74.04	RT	6			
14+74.04 TO 14+97.54	RT	37			
14+97.54 TO 16+95.66	RT	198			
16+95.66 TO 17+28.76	RT	48			
17+17.83 TO 18+52.81	LT	135			
17+28.76 TO 17+30.63	RT	6			
17+39.17 TO 17+40.39	RT	3			
17+39.17 TO 17+48.60	RT	26			
17+40.39 TO 18+82.09	RT	142			
17+48.60 TO 17+50.08	RT	2			
17+50.08 TO 17+55.39	RT	5			
17+55.39 TO 17+58.61	RT	4			
18+52.81 TO 18+77.54	LT	25			
18+77.54 TO 18+83.54	LT	6			
18+82.09 TO 19+30.21	RT	70			
19+29.59 TO 19+30.21	RT	6			
TOTAL:		1465			

SUMMARY OF SIDEWALK (4") & DETECTABLE WARNINGS										
LOCATION	SIDE	CONCRETE SIDEWALK						DETECTABLE WARNINGS		FIELD BOOK REFERENCE
		P			F			P	F	
		L	W	Sf	L	W	SY	SF	SF	
9+70.02 TO 9+81.36	LT	VARIES	VARIES	13						
10+21.38 TO 18+89.33	LT	VARIES	VARIES	532.0						
19+19.29 TO 19+26.89	LT	VARIES	VARIES	4.3				15.8		
19+04.47 TO 19+12.27	LT	VARIES	VARIES	4.2				16.8		
13+55.55 TO 13+65.55	RT	10.0	5'	5.6						
13+65.55 TO 13+75.90	RT	VARIES	VARIES	5.4				10.6		CURB RAMP
13+90.58 TO 13+99.63	RT	VARIES	VARIES	4.5						
14+15.44 TO 14+23.05	RT	VARIES	VARIES	4.2				9.4		CURB RAMP
14+23.05 TO 14+36.89	RT	13.8	5.0	7.7						
14+36.89 TO 14+45.25	RT	VARIES	VARIES	4.6				9.4		CURB RAMP
14+76.46 TO 14+87.02	RT	VARIES	VARIES	4.9				7.5		CURB RAMP
14+87.02 TO 17+09.98	RT	223.0	5.0	123.9						
17+09.98 TO 17+21.96	RT	VARIES	VARIES	5.3				9.3		CURB RAMP
17+42.13 TO 17+51.86	RT	VARIES	VARIES	4.8				9.9		CURB RAMP
17+51.86 TO 19+04.64	RT	VARIES	5'	89.7						
18+97.36 TO 19+12.20	RT	VARIES	VARIES	6.8				10.0		CURB RAMP
TOTAL:				808				115.5		

SUMMARY OF PERFORMANCE TURF - SOD									
LOCATION	SIDE	P			F			FIELD BOOK REFERENCE	
STA. TO STA.		L	W	SY	L	W	SY		
9+48.97 TO 9+77.00	LT	VARIES	VARIES	420					
10+60.00 TO 13+71.22	RT	VARIES	VARIES	526.3					
11+14.31 TO 18+88.09	LT	VARIES	VARIES	767.1					
12+48.36 TO 14+02.49	LT	VARIES	VARIES	180.1					
13+55.55 TO 13+79.53	RT	VARIES	VARIES	10.4					
14+12.87 TO 14+48.54	RT	VARIES	VARIES	25.3					
14+17.81 TO 14+42.99	RT	VARIES	VARIES	23.9					
14+30.00 TO 19+05.00	LT	VARIES	VARIES	215.4					
14+72.71 TO 15+52.17	RT	VARIES	VARIES	61.1					
14+73.40 TO 17+30.05	RT	VARIES	VARIES	42.5					
14+81.02 TO 17+15.98	RT	VARIES	VARIES	173.7					
17+04.09 TO 18+97.67	LT	VARIES	VARIES	98.1					
17+39.57 TO 19+00.25	RT	VARIES	VARIES	132.4					
17+46.21 TO 18+84.36	RT	VARIES	VARIES	27.7					
18+88.87 TO 19+29.71	RT	VARIES	VARIES	464.5					
TOTAL:				2791					

SUMMARY OF VALLEY GUTTER					
LOCATION	SIDE	TYPE F LENGTH (FT)		REMARKS	FIELD BOOK REFERENCE
STATION		P	F		
16+95.66 TO 17+40.39	RT	45			
TOTAL:		45			

SUMMARY OF EARTHWORK WALLACE ROAD		
DESCRIPTION	CY	
	P	F
<b>REGULAR EXCAVATION</b>		
WALLACE ROAD	1889	
SWALE 'A'	130	
<b>TOTAL</b>	<b>2019</b>	
<b>EMBANKMENT</b>		
WALLACE ROAD	262	
<b>TOTAL</b>	<b>262</b>	

<b>REVISIONS</b> DATE DESCRIPTION DATE DESCRIPTION		<b>GTC Engineering Corporation</b> 98 South Semoran Blvd, Orlando, FL 32807 Phone Number - 407.380.0402 Certificate of Authorization Number 6758	<b>ORANGE COUNTY PUBLIC WORKS</b> GTC PROJECT NO. FLO 20.05 WALLACE ROAD INTERSECTION IMPROVEMENTS	OCPW PROJECT NO. 2722	<b>SUMMARY OF QUANTITIES</b> SHEET NO. 7
---	--	---	--	-----------------------	---

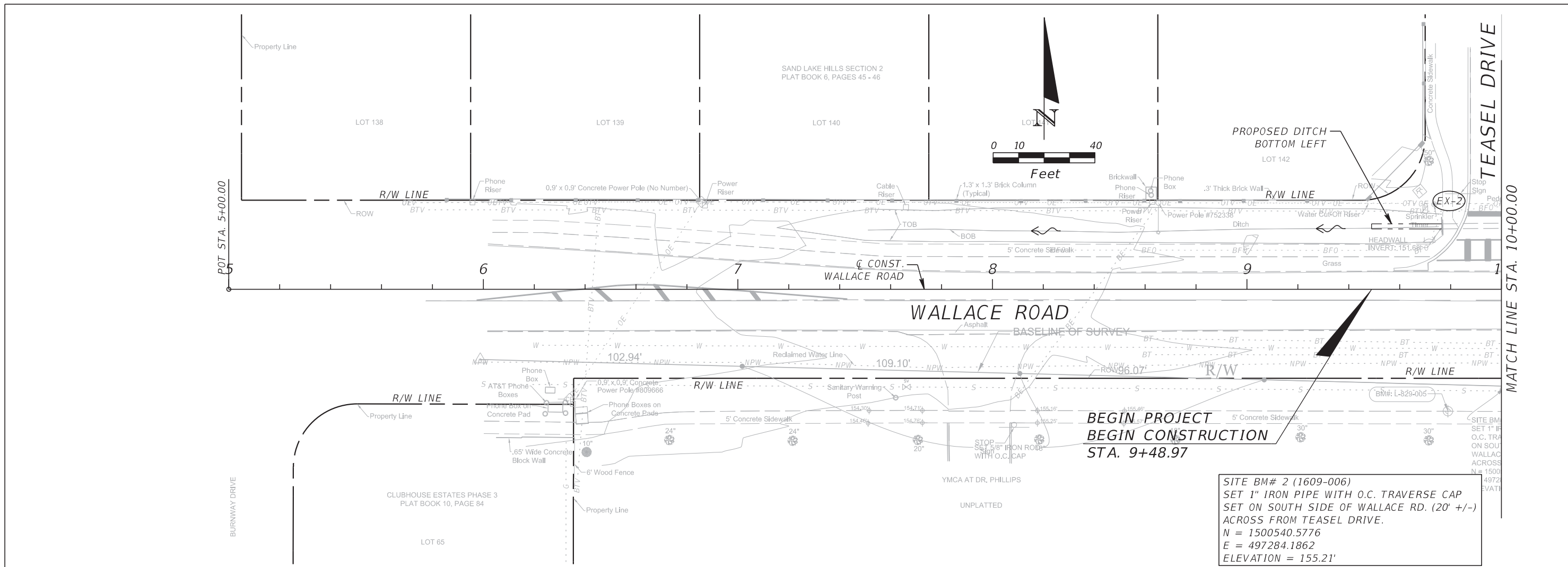
FILE: H:\Jobs\F\1020.05-Wallace\roadway\SUMQRD01.DGN  
DATE: 3/10/2017 10:11:11 AM

QUANTITY	STR. NO.	INDEX NO.	STATION	SIDE	DESCRIPTION	BARRELS	SIZE (INCHES)	LENGTH (LF)	RCP STORM SEWER			CLOSED FLUME TYPE I SINGLE BARREL	DITCH BOTTOM INLETS		CURB INLETS		MANHOLES		MITERED END SECTION 1:4 12"X18"	REMARKS
									CLASS IV		CLASS III		C	D	P-1	P-2	TYPE 7	TYPE 8		
									12"x18"	19"x30"	18"		<10'	<10'	<10'	<10'	<10'	<10'		
P	S-1	216	12+50.00	LT	INLET, CLOSED FLUME TYPE I	1					1									INCL 4" CONC. DITCH PVMT W/ENERGY DISSIPATOR BRICKS.
F																				
P	S-2	232	12+50.00	LT	INLET, PIPE	1	12x18	25				1								W/ TRAVERSABLE SLOTS E & W. INCL 4" CONC. DITCH PVMT
F																				
P	S-3	200, 201	12+21.91	LT	MANHOLE, PIPE	1	19x30		159								1			REMOVE EXIST. HEADWALL
F																				
P	S-4	216	11+60.00	LT	INLET, CLOSED FLUME TYPE I	1					1									INCL 4" CONC. DITCH PVMT W/ENERGY DISSIPATOR BRICKS.
F																				
P	S-5	216	10+60.00	LT	INLET, CLOSED FLUME TYPE I	1					1									INCL 4" CONC. DITCH PVMT W/ENERGY DISSIPATOR BRICKS.
F																				
P	S-6	231	10+60.00	LT	INLET, PIPE	1	19x30		23			1								W/ TRAVERSABLE SLOTS E & W. INCL 4" CONC. DITCH PVMT
F																				
P	S-7	200, 201	10+33.58	LT	MANHOLE												1			REMOVE EXIST. HEADWALL
F																				
P	S-8	210	18+50.00	LT	INLET, PIPE	1	18	21		21					1					
F																				
P	S-9	200, 201	18+74.16	LT	MANHOLE												1			REMOVE / REPLACE EXIST DBI
F																				
P	S-10	210	18+79.09	RT	INLET, PIPE	1	12x18	46	46				1							
F																				
P	S-11	200, 201	19+09.97	RT	MANHOLE, PIPE	1	12x18	7	7						1					
F																				
P	S-12	272	19+09.97	RT	MES	1	12x18											1		
F																				
<b>TOTALS</b>					PLAN QUANTITY				78	182	21	3	1	1	1	1	1	3	1	
					FINAL QUANTITY															

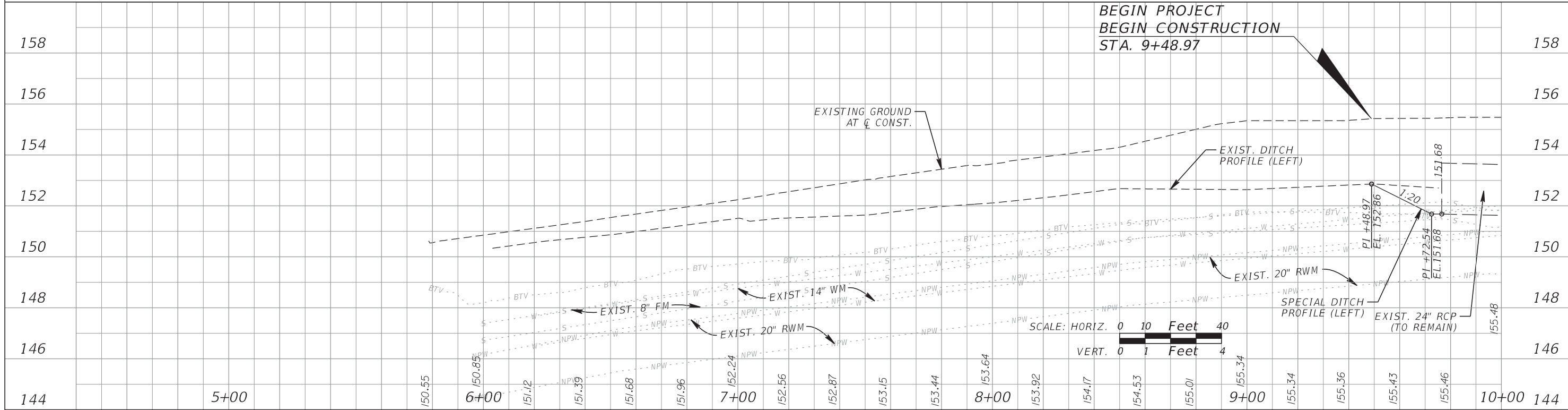
<table border="1"> <thead> <tr> <th colspan="4">REVISIONS</th> </tr> <tr> <th>DATE</th> <th>DESCRIPTION</th> <th>DATE</th> <th>DESCRIPTION</th> </tr> </thead> <tbody> <tr> <td> </td> <td> </td> <td> </td> <td> </td> </tr> </tbody> </table>				REVISIONS				DATE	DESCRIPTION	DATE	DESCRIPTION					<b>GTC Engineering Corporation</b> <small>98 South Semoran Blvd, Orlando, FL 32807  Phone Number - 407.380.0402</small>  <small>Certificate of Authorization Number 6758</small>		<b>ORANGE COUNTY PUBLIC WORKS</b>  <small>WALLACE ROAD INTERSECTION IMPROVEMENTS</small>		<b>SUMMARY OF DRAINAGE STRUCTURES</b>		<b>SHEET NO.</b>  <b>8</b>	
REVISIONS																							
DATE	DESCRIPTION	DATE	DESCRIPTION																				
<small>GTC PROJECT NO.</small> <b>FLO 20.05</b>		<small>OCPW PROJECT NO.</small> <b>2722</b>		<small>ameola</small>		<small>3/10/2017</small>		<small>9:51:01 AM</small>															

FILE: H:\Jobs\FLO20.05-Wallace\Drainage\SUMDRD01.DGN  
DATE: 3/10/2017 9:51:01 AM





**SITE BM# 2 (1609-006)**  
 SET 1" IRON PIPE WITH O.C. TRAVERSE CAP  
 SET ON SOUTH SIDE OF WALLACE RD. (20' +/-)  
 ACROSS FROM TEASEL DRIVE.  
 N = 1500540.5776  
 E = 497284.1862  
 ELEVATION = 155.21'



REVISIONS			
DATE	DESCRIPTION	DATE	DESCRIPTION

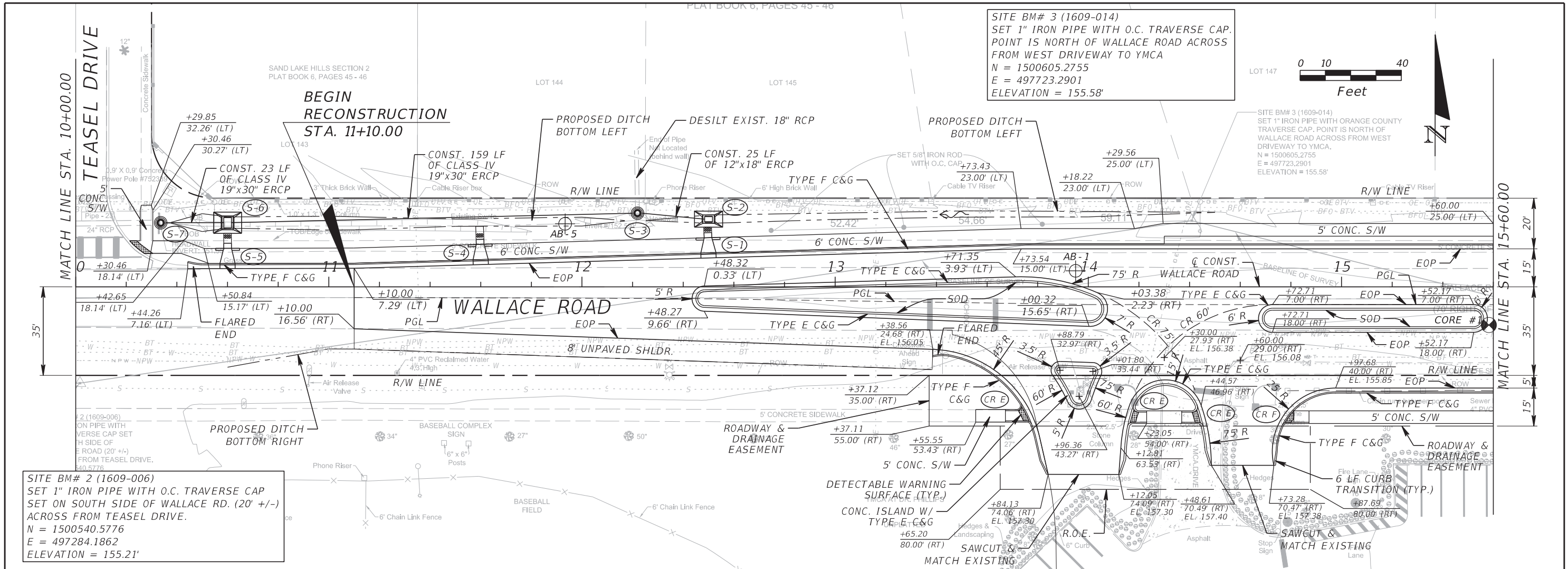
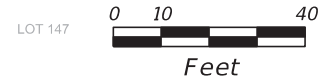
**GTC Engineering Corporation**  
 98 South Semoran Blvd, Orlando, FL 32807  
 Phone Number - 407.380.0402  
 Certificate of Authorization Number 6758  
 Claude L. Cassagnol, P.E.  
 P.E. Number 35490

**ORANGE COUNTY PUBLIC WORKS**  
 GTC PROJECT NO. FLO 20.05  
 WALLACE ROAD INTERSECTION IMPROVEMENTS  
 OCPW PROJECT NO. 2722

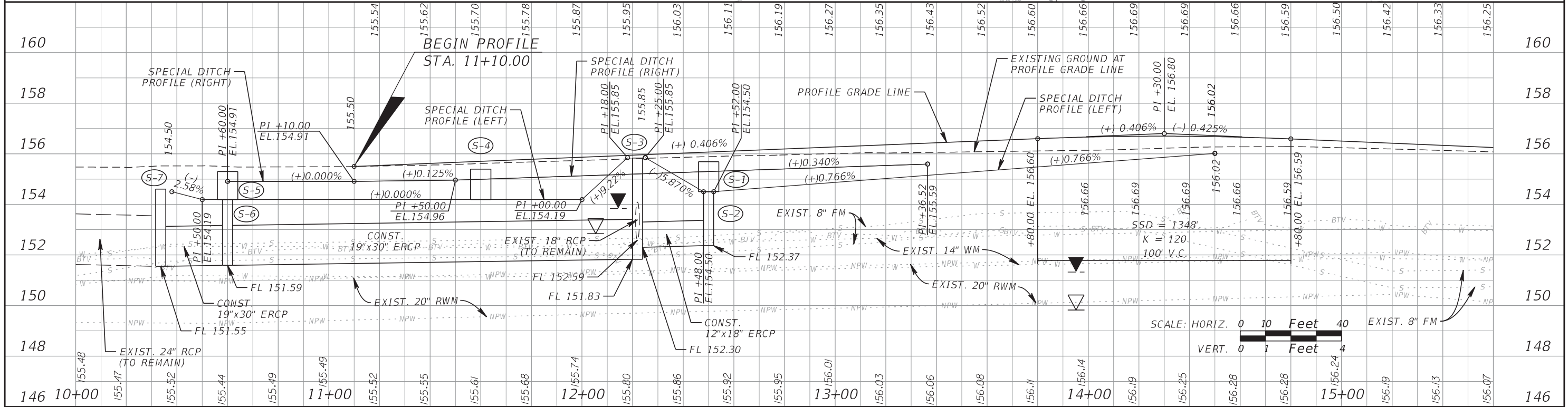
**PLAN AND PROFILE**  
 STA. 5+00.00 TO STA. 10+00.00  
 SHEET NO. 9

FILE: H:\Jobs\FLO20.05-Wallace\roadway\PLPRD00.DGN  
 DATE: 3/10/2017 9:51:13 AM

SITE BM# 3 (1609-014)  
 SET 1" IRON PIPE WITH O.C. TRAVERSE CAP.  
 POINT IS NORTH OF WALLACE ROAD ACROSS  
 FROM WEST DRIVEWAY TO YMCA  
 N = 1500605.2755  
 E = 497723.2901  
 ELEVATION = 155.58'



SITE BM# 2 (1609-006)  
 SET 1" IRON PIPE WITH O.C. TRAVERSE CAP  
 SET ON SOUTH SIDE OF WALLACE RD. (20' +/-)  
 ACROSS FROM TEASEL DRIVE.  
 N = 1500540.5776  
 E = 497284.1862  
 ELEVATION = 155.21'



REVISIONS	
DATE	DESCRIPTION

**GTC Engineering Corporation**  
 98 South Semoran Blvd, Orlando, FL 32807  
 Phone Number - 407.380.0402

**ORANGE COUNTY PUBLIC WORKS**

GTC PROJECT NO.	WALLACE ROAD INTERSECTION IMPROVEMENTS	OCPW PROJECT NO.
FLO 20.05		2722

**PLAN AND PROFILE**  
**STA. 10+00.00 TO STA. 15+60.00**

SHEET NO. 10

FILE: H:\Jobs\FLO20.05-Wallace\roadway\PLPRD01.dgn  
 DATE: 8/11/2017 11:56:46 AM