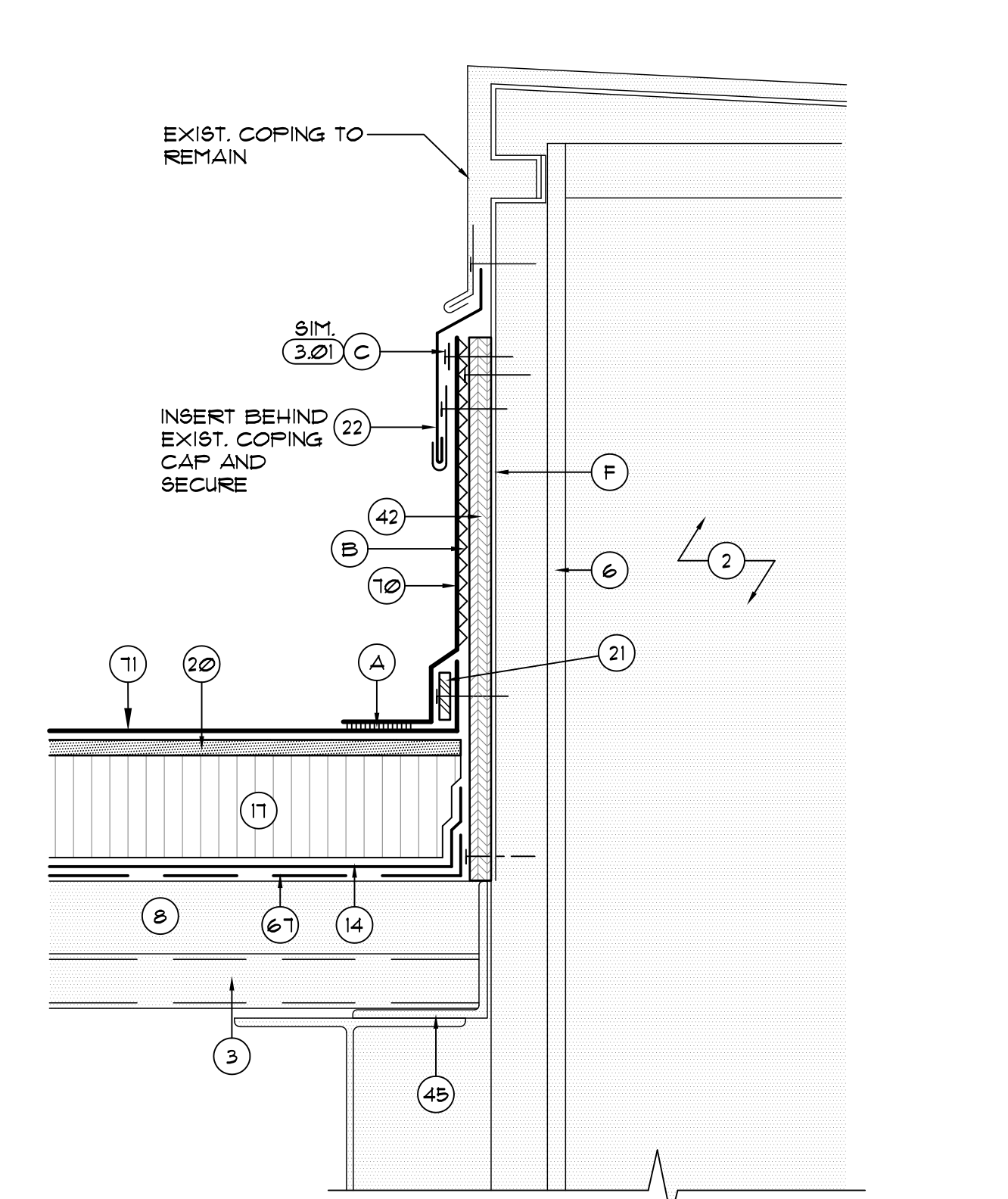
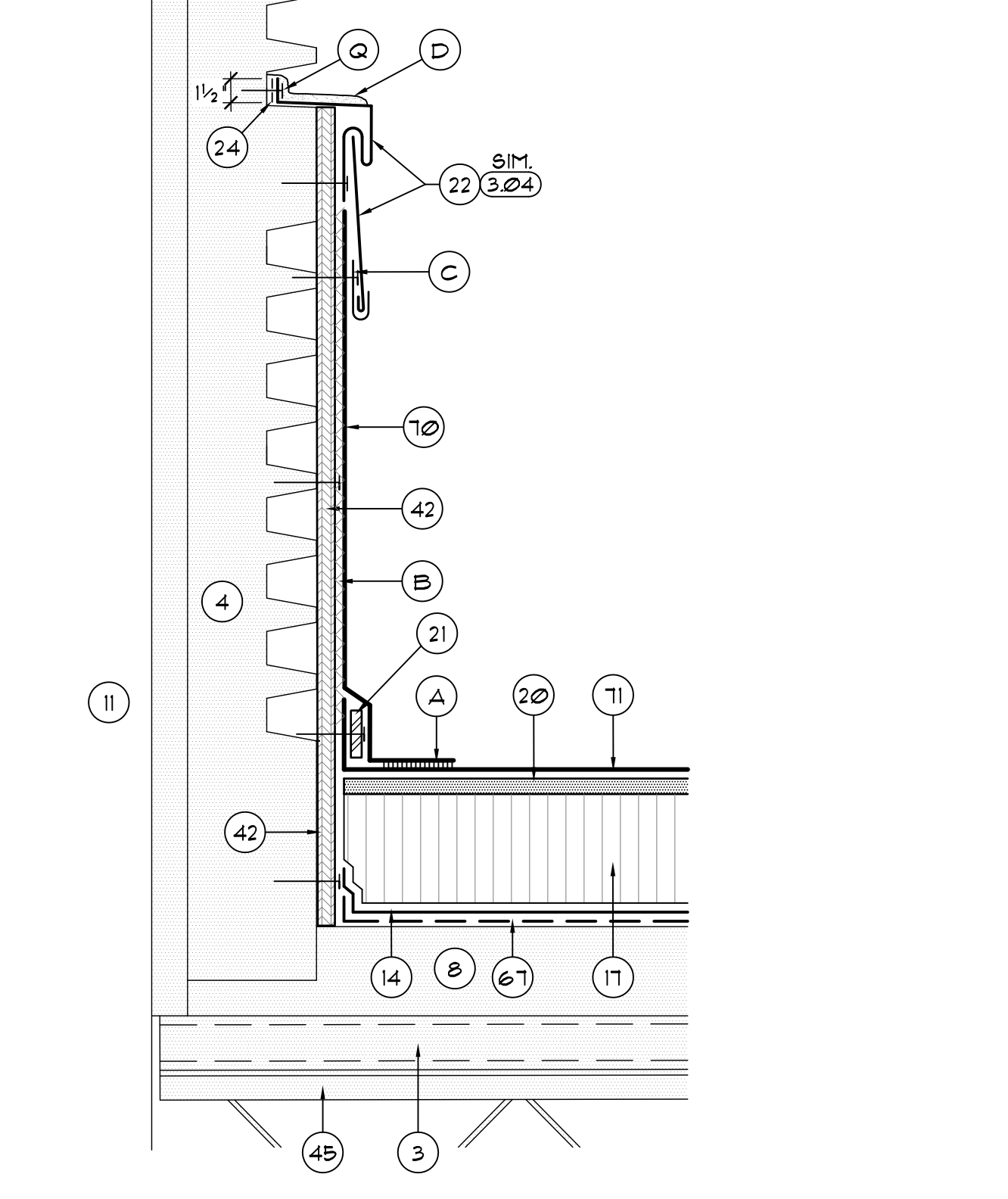


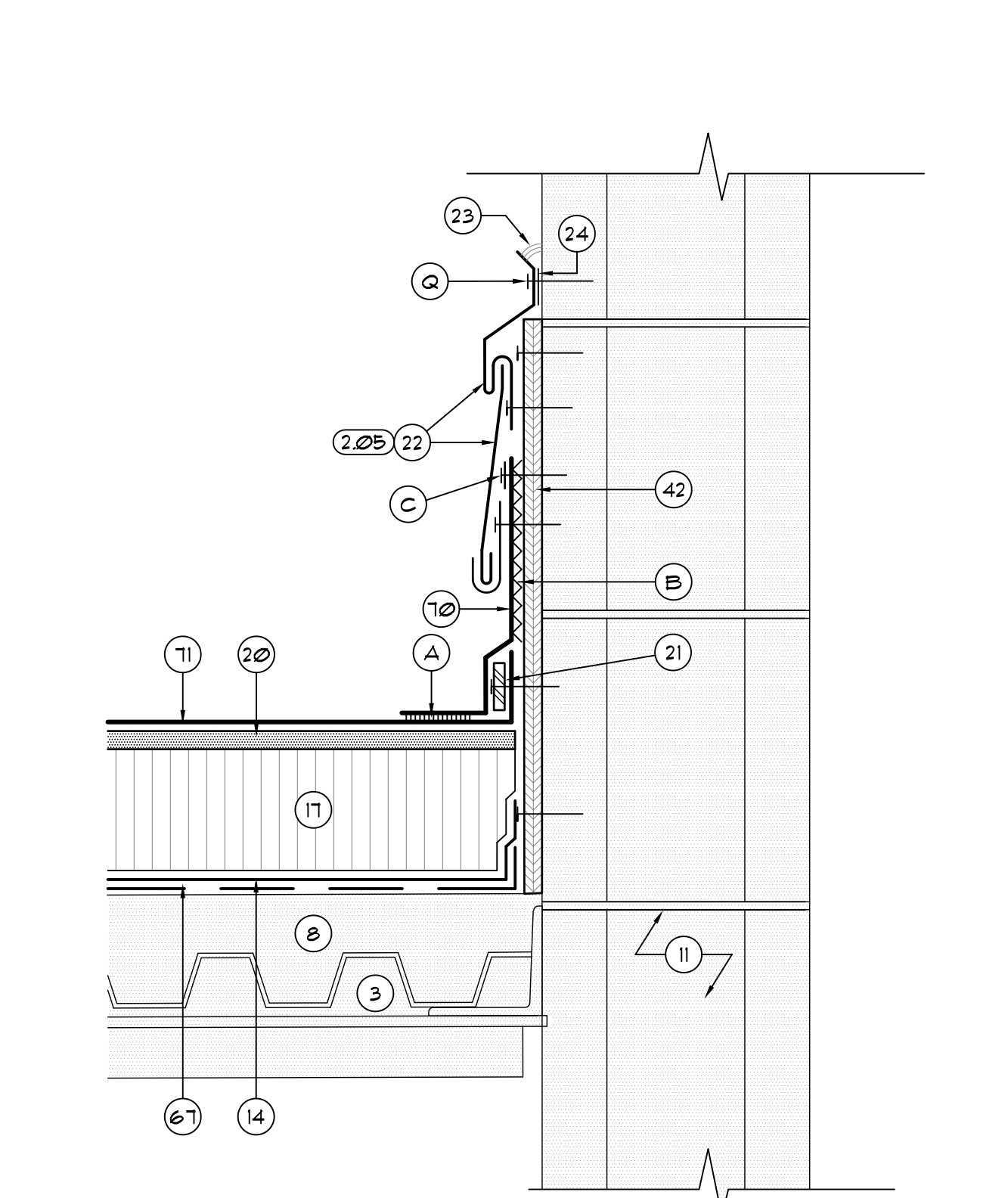
2.13 FLASHING DETAIL AT SILL OF CURTAIN WALL
SCALE: 3/4"=1'-0"



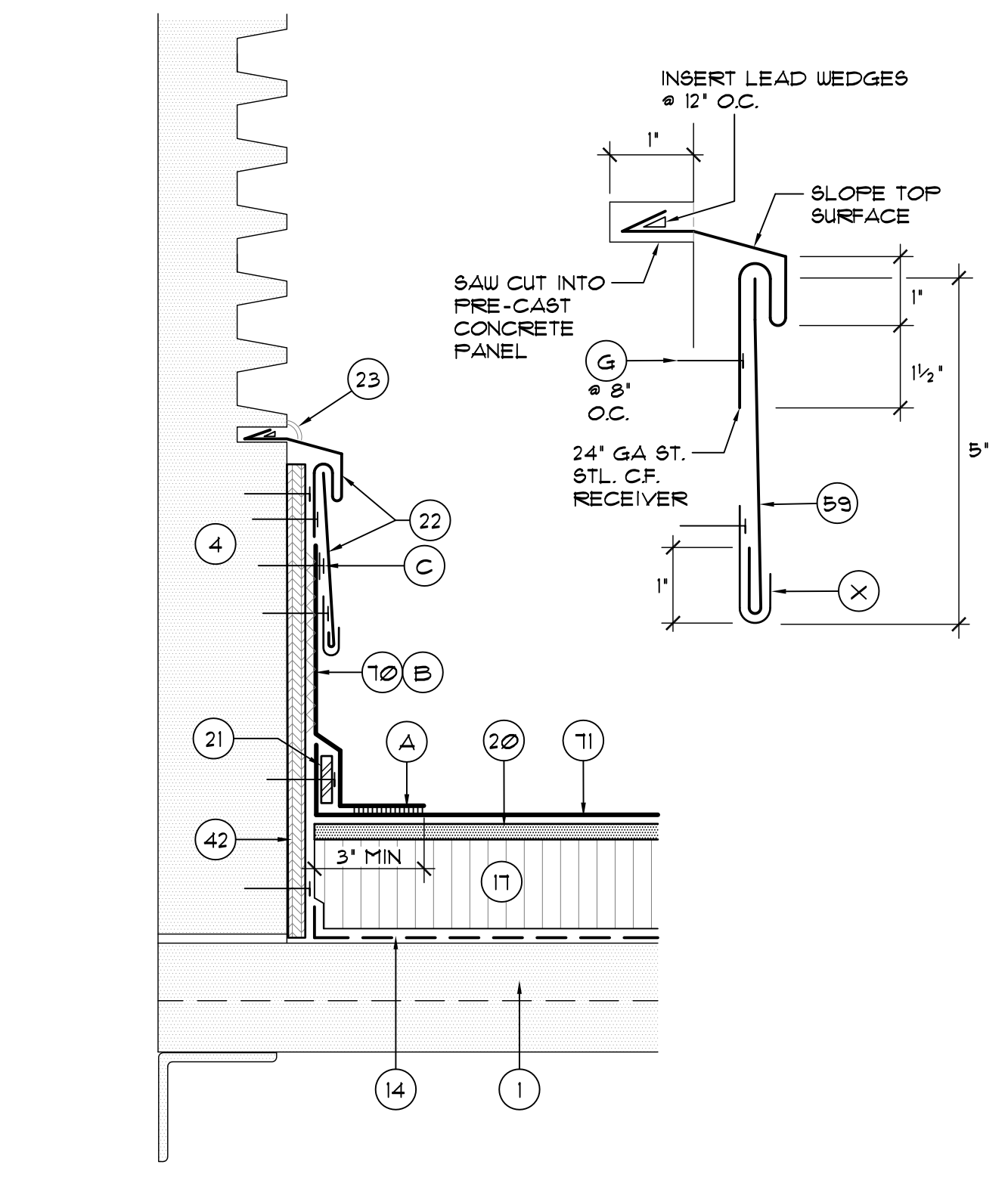
2.14 TYP. COUNTERFLASHING DETAIL BETWEEN ROOF AREAS
SCALE: 3/4"=1'-0"



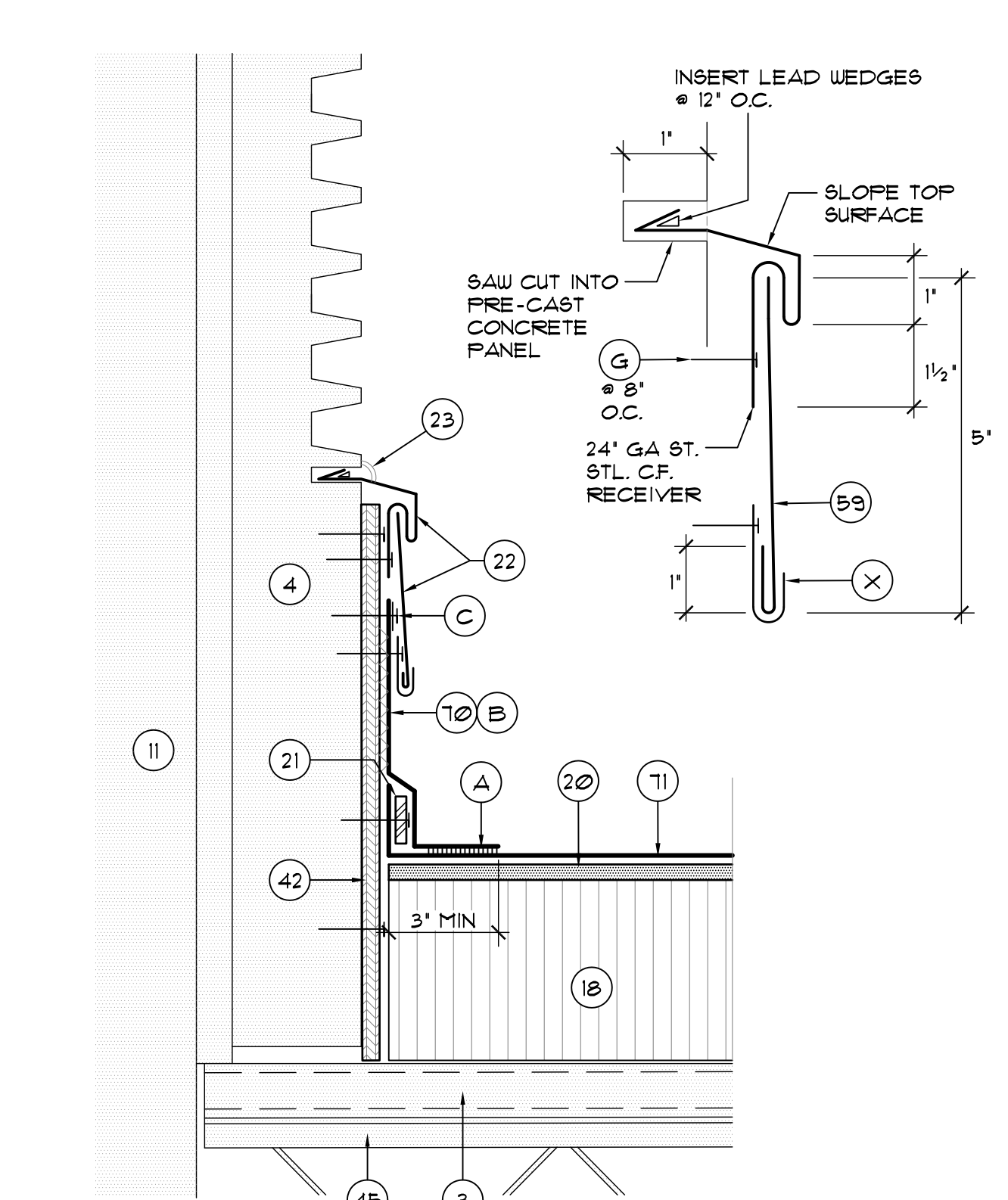
2.15 HIGH FLASHING DETAIL AT ROOF 4/E
SCALE: 3/4"=1'-0"



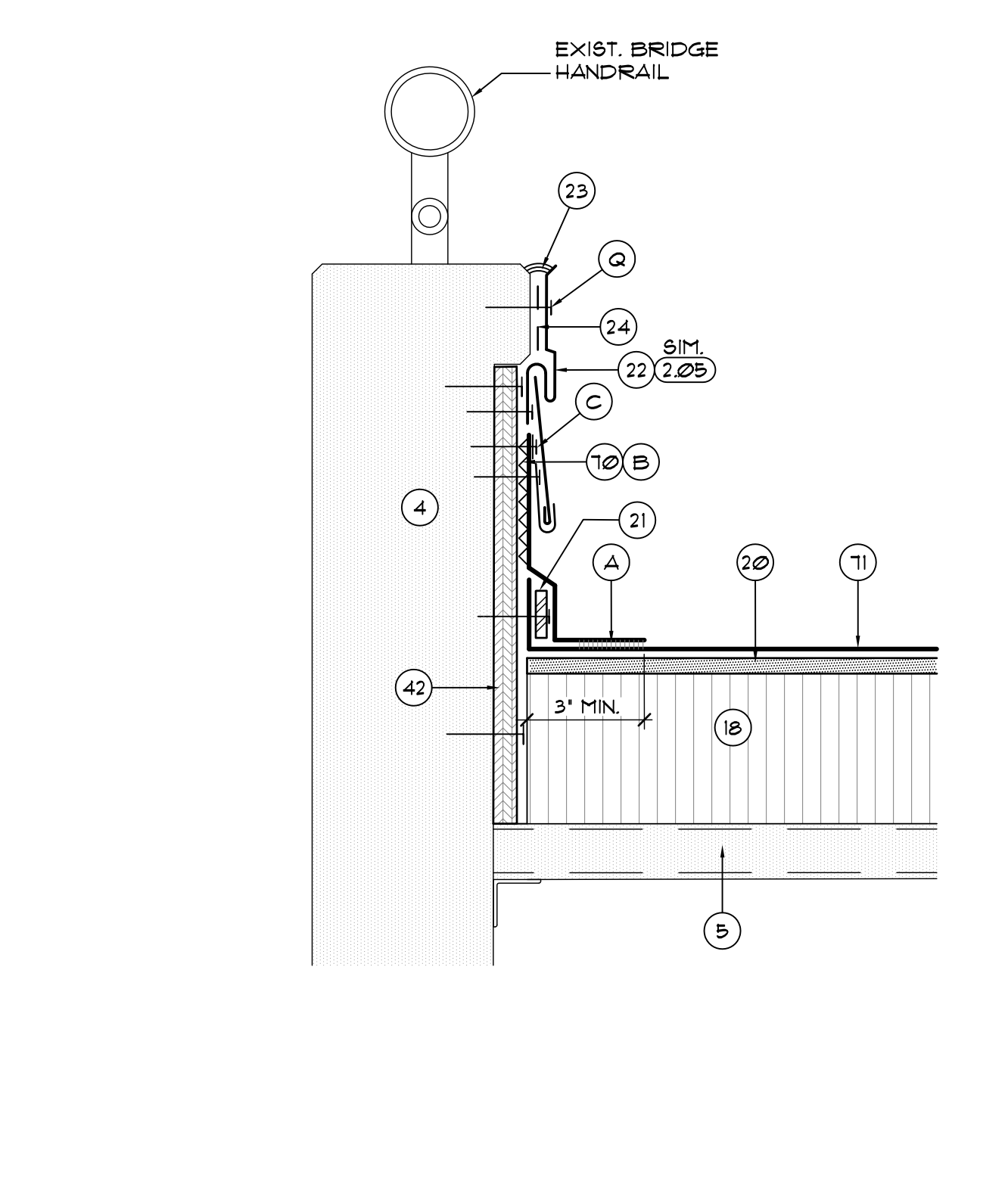
2.16 TYP. FLASHING DETAIL AT CONC. WALL AT SECTOR 4
SCALE: 3/4"=1'-0"



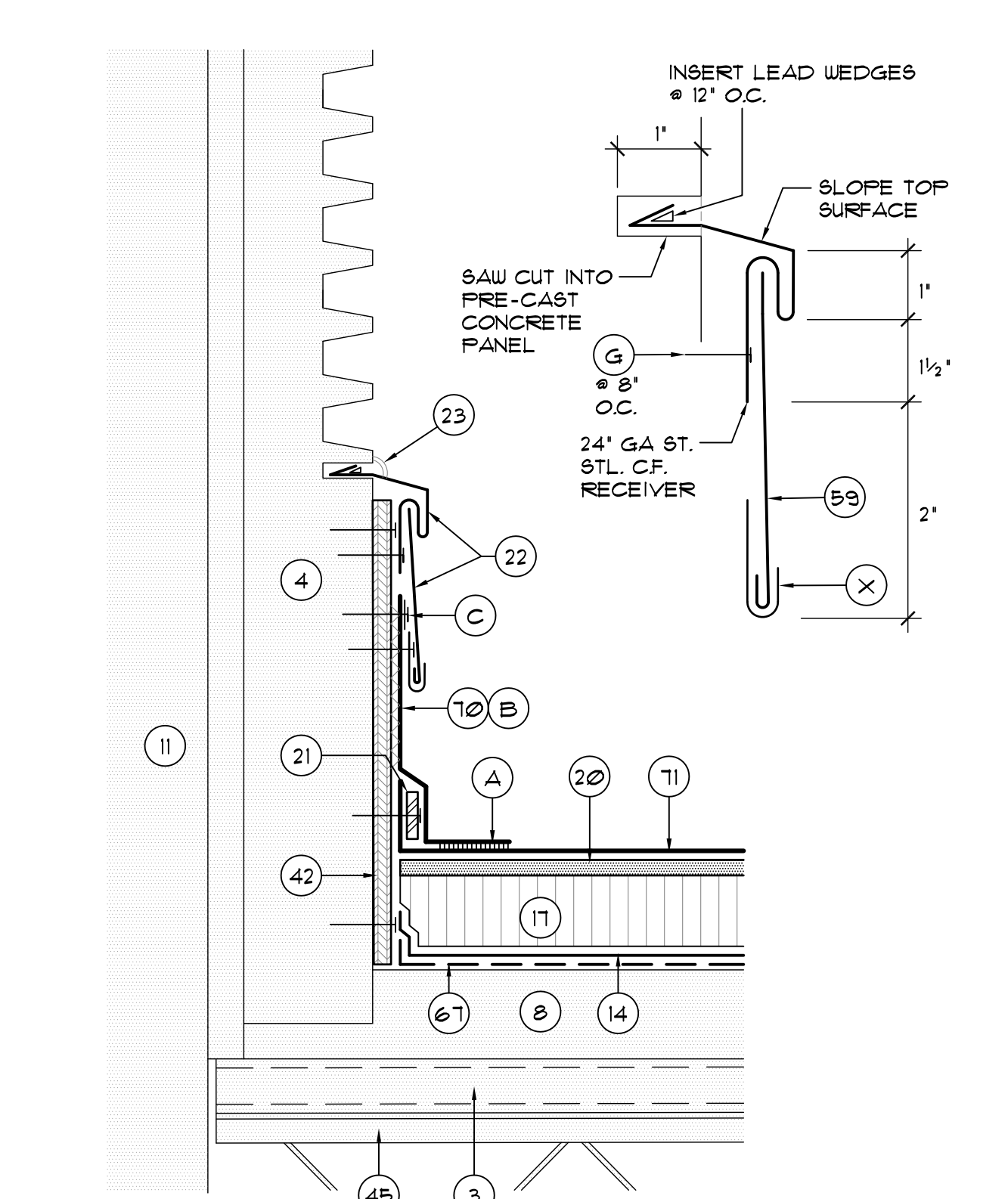
2.17 TYP. FLASHING DETAIL AT PRE-CAST CONC. PANEL AT 5/D
SCALE: 3/4"=1'-0"



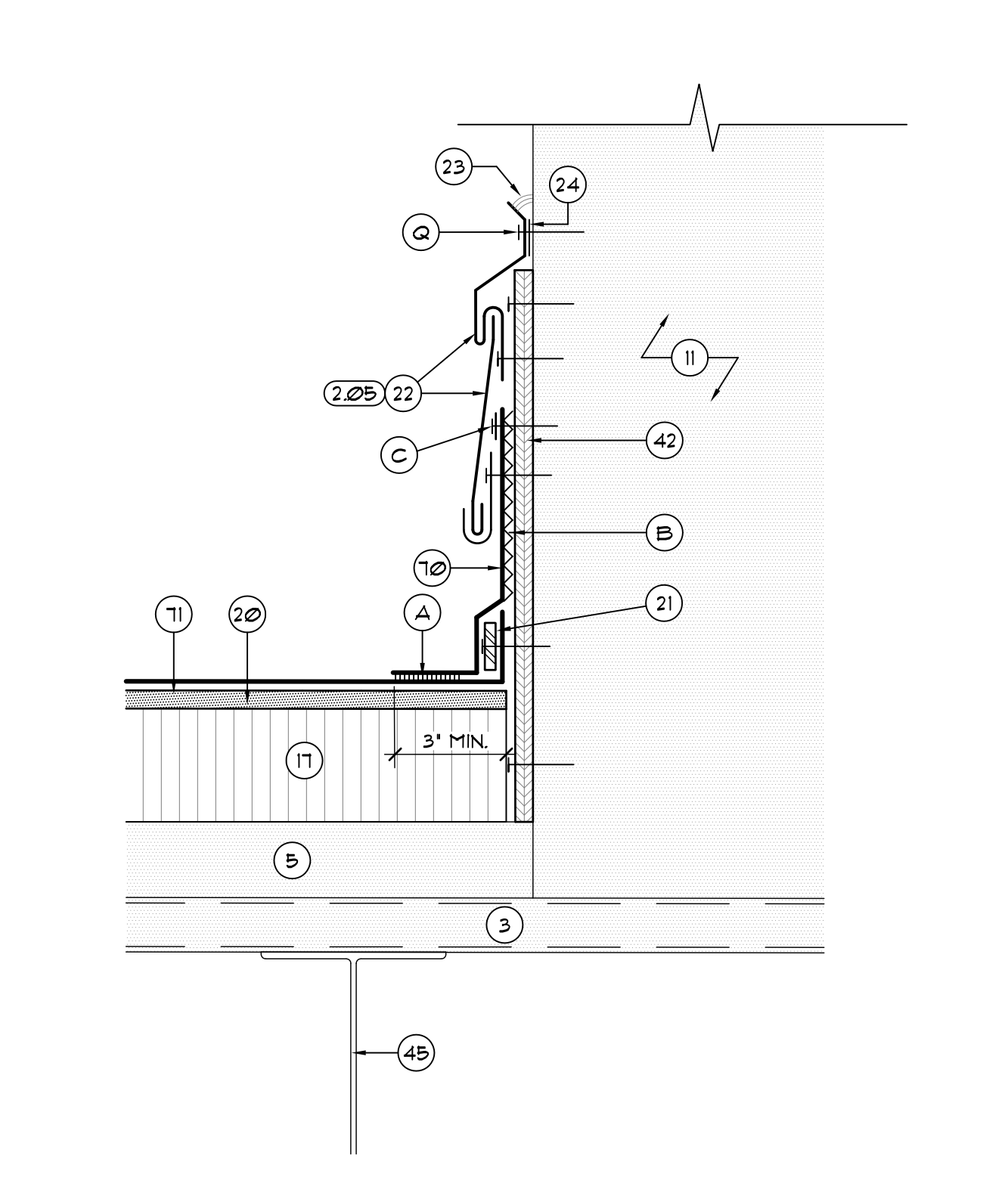
2.18 TYP. FLASHING DETAIL AT PRECAST CONC. PANEL
SCALE: 3/4"=1'-0"



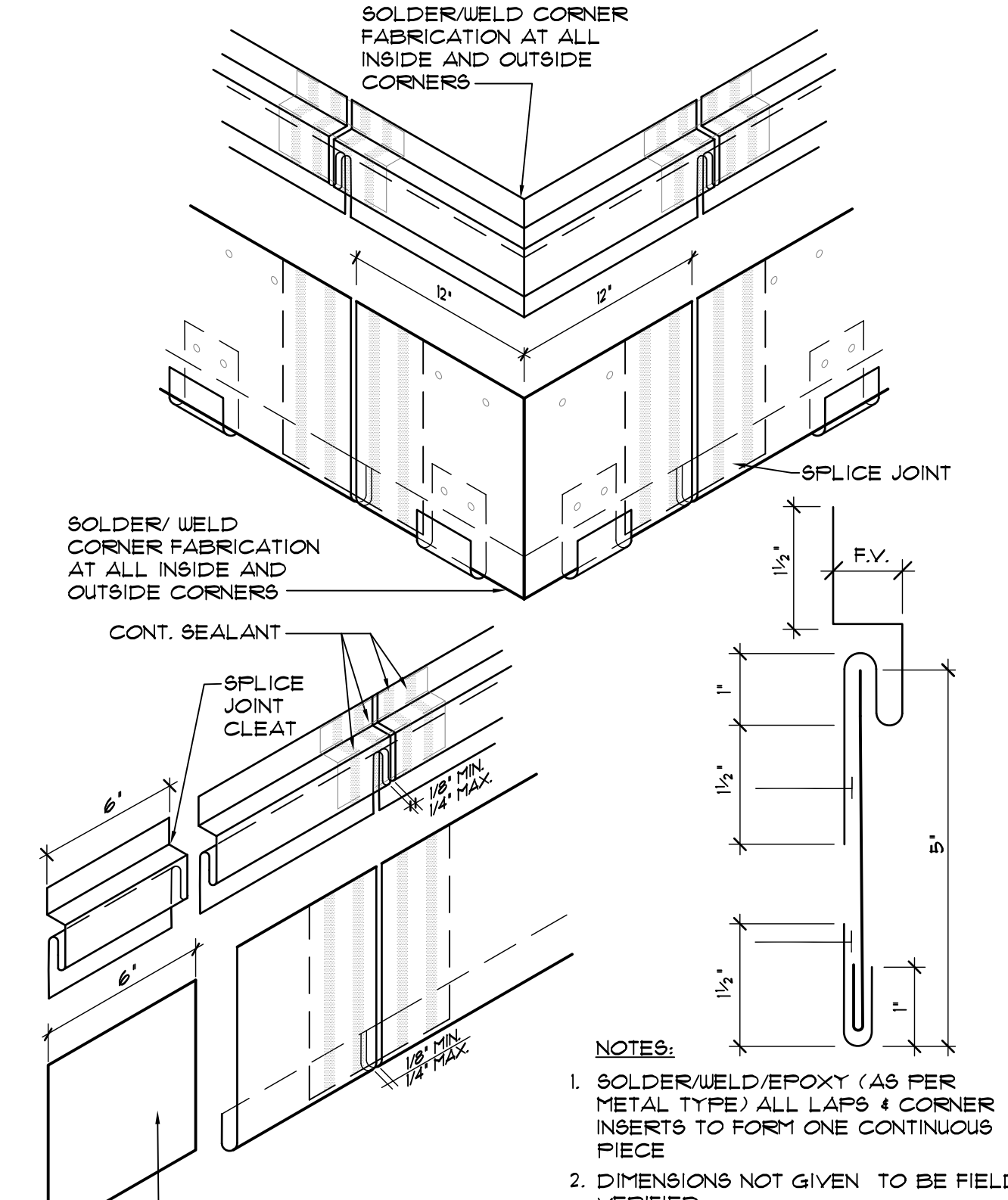
2.19 FLASHING DETAIL AT SECTOR 6 BRIDGE
SCALE: 3/4"=1'-0"



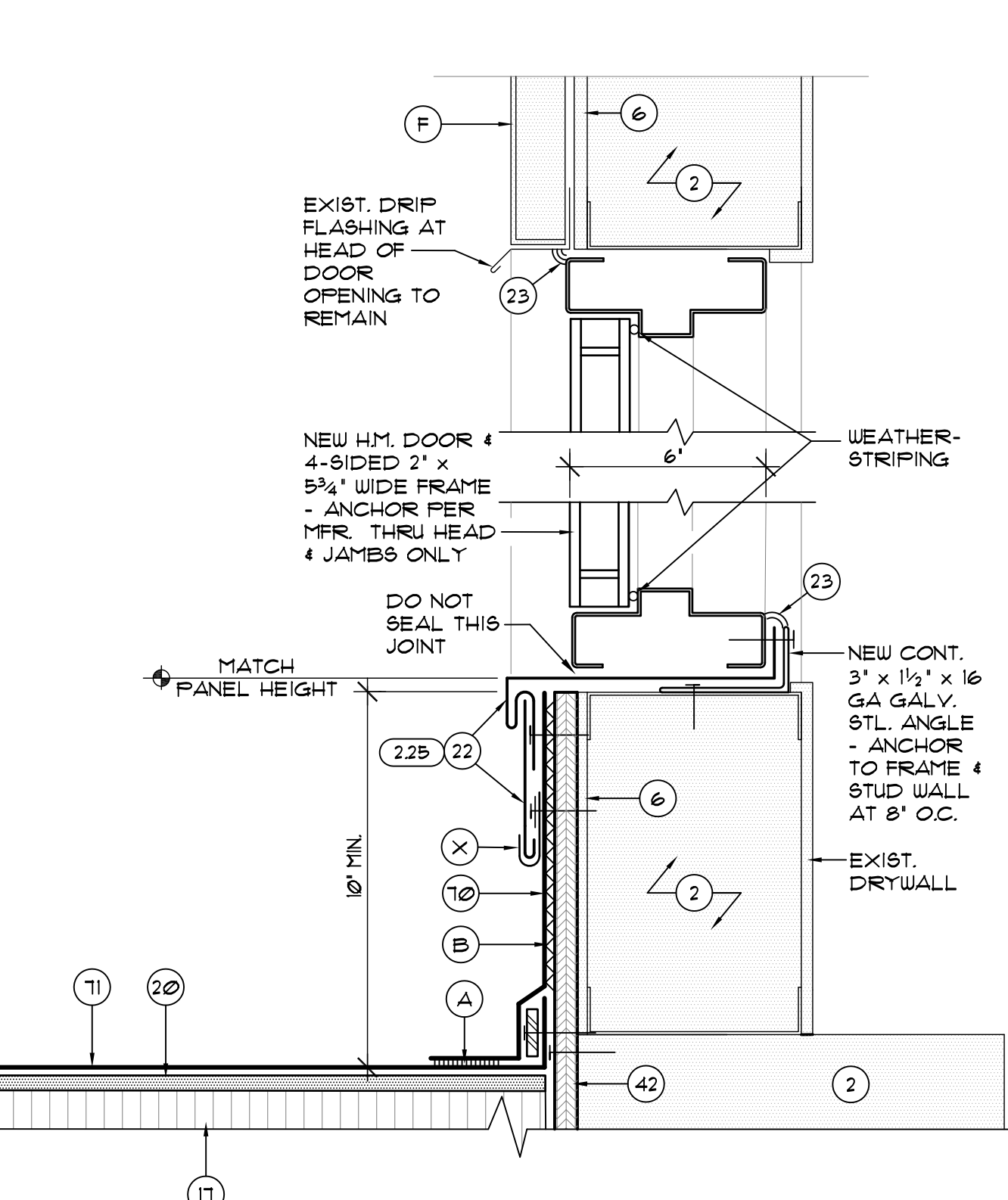
2.20 TYP. FLASHING DETAIL AT SECTOR 4 CANOPY
SCALE: 3/4"=1'-0"



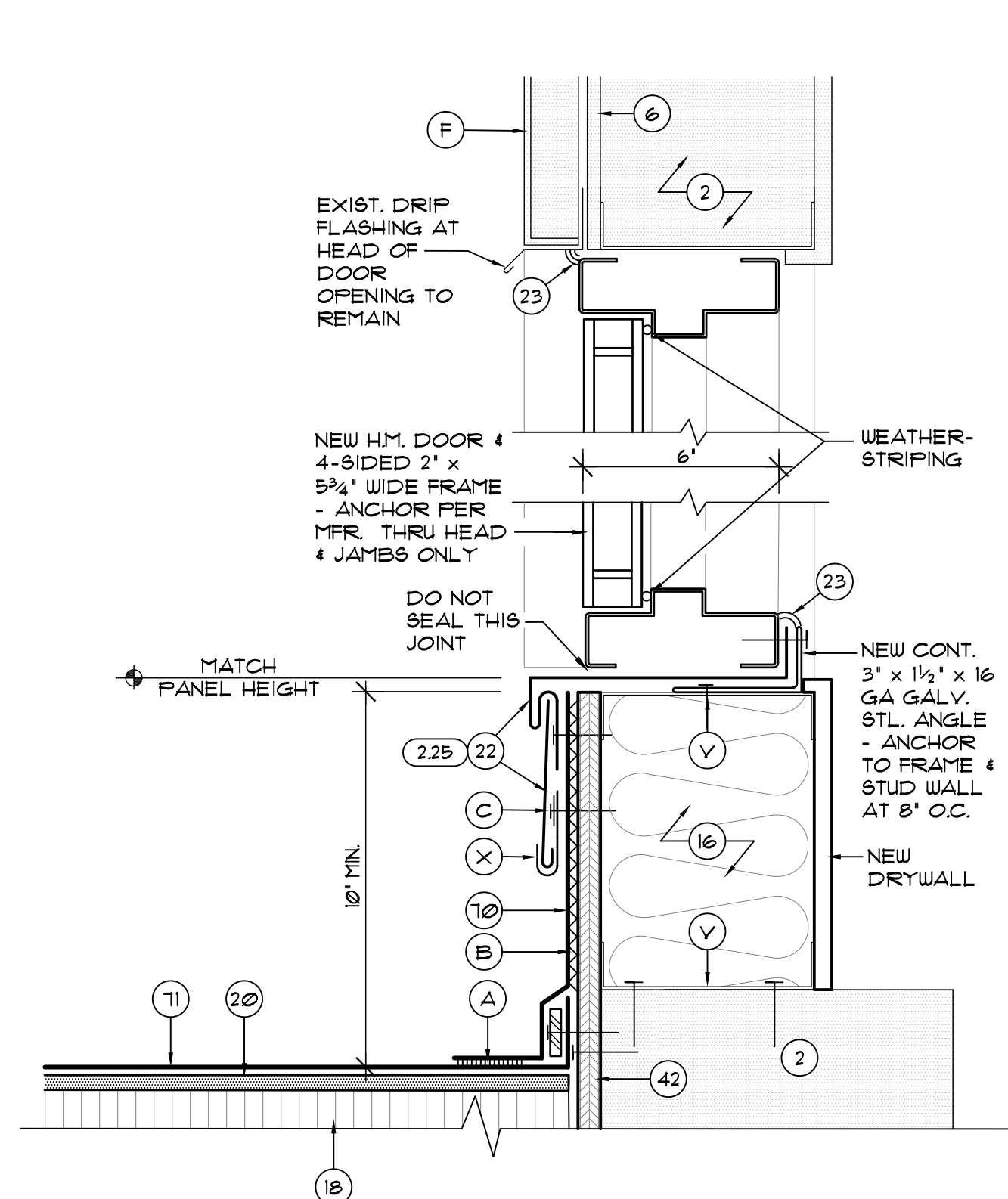
2.21 TYP. FLASHING DETAIL AT SECTOR 4 BRIDGE
SCALE: 3/4"=1'-0"



2.22 NEW COUNTERFLASHING & RECEIVER
SCALE: 3/4"=1'-0"



2.23 ROOF ACCESS DOOR, FRAME AND FLASHING DETAIL
SCALE: 3/4"=1'-0"



2.24 ROOF ACCESS DOOR, FRAME AND FLASHING DETAIL
SCALE: 3/4"=1'-0"

DETAILS NOTES

1. EXISTING STRUCTURAL CONCRETE DECK
 2. EXIST. METAL STUD WALL
 3. EXISTING METAL DECK
 4. EXISTING PRECAST CONC. PANEL PARAPET
 5. EXIST. RIGID INSULATION TO REMAIN
 6. EXIST. SHEATHING TO REMAIN
 7. EXISTING PENETRATION - EXTEND AS REQ'D TO PROVIDE MIN HEIGHT INDICATED
 8. LIGHTWEIGHT INSULATION CONCRETE DECK
 9. EXISTING MECHANICAL EQUIPMENT
 10. EXISTING CURB TO REMAIN
 11. EXISTING CONCRETE/CMU BLOCK WALL
 14. PRELIMINARY ROOF
 16. BATT INSULATION
 17. NON-TAPERED RIGID INSULATION
 18. TAPERED RIGID INSULATION
 20. 1/2" GYPSUM ROOF BOARD
 21. SURFACE APPLIED TERMINATION BAR
 22. TWO-PIECE SURFACE APPLIED COUNTERFLASHING - SEE REFERENCED DETAIL
 23. SEALANT
 24. FLASHING TAPE
 32. CONTINUOUS CLEAT
 35. SCUPPER & DOWNSPOUT CONNECTION - SEE REFERENCED DETAIL
 36. NEW SCUPPER & CONDUCTOR HEAD W/ 2 BRACKETS - SEE REFERENCED DETAIL
 37. NEW SCUPPER - SEE REFERENCED DETAIL
 41. P.T. WOOD BLOCKING TO BE FASTENED AT 12" O.C. (MAX.) AND STAGGER - COUNTERSINK HEADS
 42. 3/4" FLYWOOD - SCREW FASTEN @ 8" O.C. (MAX.) TOP & BOTTOM & STAGGER - COUNTERSINK HEADS
 43. ROUND OFF THIS EDGE
 44. NEW ROOF DRAIN - ADJUST ELEV. ABOVE DECK IN FIELD
 45. EXISTING STRUCTURE
 46. NEW OVERFLOW DRAIN
 48. TAPERED RIGID INSULATION BOARD SUMP
 53. 24 GA ST. SKIRT METAL
 60. PARAPET COPING CAP - SEE REFERENCED DETAIL
 61. METAL EDGE DETAIL - SEE DETAIL
 67. VENTED BASE SHEET
 70. FLEXIBLE SHEET FLASHING
 71. FLEXIBLE SHEET MEMBRANE
 133. EXISTING WOOD BLOCKING TO REMAIN. REPLACE WHERE DAMAGED OR DETERIORATED
- A. HEAT WELD
 B. MFR APPROVED ADHESIVE
 C. FASTENER W/ STRESS PLATE
 D. MANUFACTURER'S APPROVED FLEECE REINFORCED LIQUID APPLIED FLASHING SYSTEM
 E. NEW ST. STL. FASTENER W/ NEOPRENE BACKED WASHER - BACK OUT EXIST. FASTENER AND REPLACE WITH ONE SIZE LARGER AT EXIST. LOCATIONS
 F. EXIST. METAL PANEL WALL SYS. TO REMAIN
 G. NEW UNDER DECK CLAMP
 H. DRAIN PIPE - INSTALL NEW AS REQ'D
 I. NEW STRAINER
 J. NEW CLAMPING RING
 K. NEW MFR'S STD. ADJUSTABLE HEIGHT COLLAR - ANCHOR TO DECK W/ 4-1/2" SCREWS
 L. INFILL AREA AS NEEDED W/ FOAM OR RIGID INSULATION
 M. PREFORMED STACK FLASHING
 N. STAINLESS STEEL DRAW BAND
 O. PROVIDE NEW 18 GA GALV. FRAMING AT PERIMETER OF SCUPPER FOR SUPPORT THROUGH WALL SYSTEM
 P. BRACE EXIST. METAL PANEL OPENING W/ NEW 18 GA GALV. FRAMING AT PERIMETER OF EXIST. SCUPPER OPENING
 Q. ST. STL. DRIVE PIN FASTENER W/ NEOPRENE BACKED METAL WASHER @ 8" O.C.
 R. EXISTING STUCCO
 S. ANCHOR STRAPS PER REFERENCED DETAIL
 T. NEW CLAMPING RING WITH RAISED HUB
 U. 24 GA ST. STL. DRAIN COVER - ATTACH TO TOP OF STRAINER
 V. INSTALL NEW 2"x6" METAL FRAME PARAPET WITH SPACING @ 16" O.C.
 W. EXPANSION JOINT FILLER - CLOSED CELL POLYETHYLENE TUBING.
 X. 3" WIDE 26 GA ST. STL. RETAINER CLEATS @ 18" O.C. - ANCHOR W/ 2 FASTENERS EACH - BEND UP IN FIELD TO SECURE SKIRT METAL



A/R/C Associates Incorporated


Architecture
 Roof Consulting
 Construction Technology
 LIC. NBR AAC000932
 601 North Fern Creek Avenue
 Suite 100 Orlando, FL
 32803-4899
 Tel. (407) 896-7875
 Fax. (407) 898-6043
 Copyright © A/R/C ASSOCIATES, INC.

REVISIONS

| NO. | DATE | BY: |
|-----|------|-----|
| | | |



SGMA ENGINEERING INC.
 MEP CONSULTING ENGINEERS
 935 Lake Baldwin Lane
 Orlando, FL 32814
 Tel. 407-767-5088
 Fax. 407-767-5772
 www.sgmaengineering.com
 Copyright © 2014 SGM Engineering, Inc.



BASE ENGINEERING & CONSTRUCTION
 OFFICE OF AUTHORIZATION No. 27143
 COC 1521662
 1714 EAST GINGERBREAD STREET
 ORLANDO, FLORIDA 32803
 P. 407.377.7227

DESIGNATED REPAIRS AND REPLACEMENT OF:

OCCC WEST BLDG ROOF REPLACEMENT
ORANGE COUNTY CONVENTION CENTER
9800 INTERNATIONAL DRIVE, ORLANDO, FL 32819

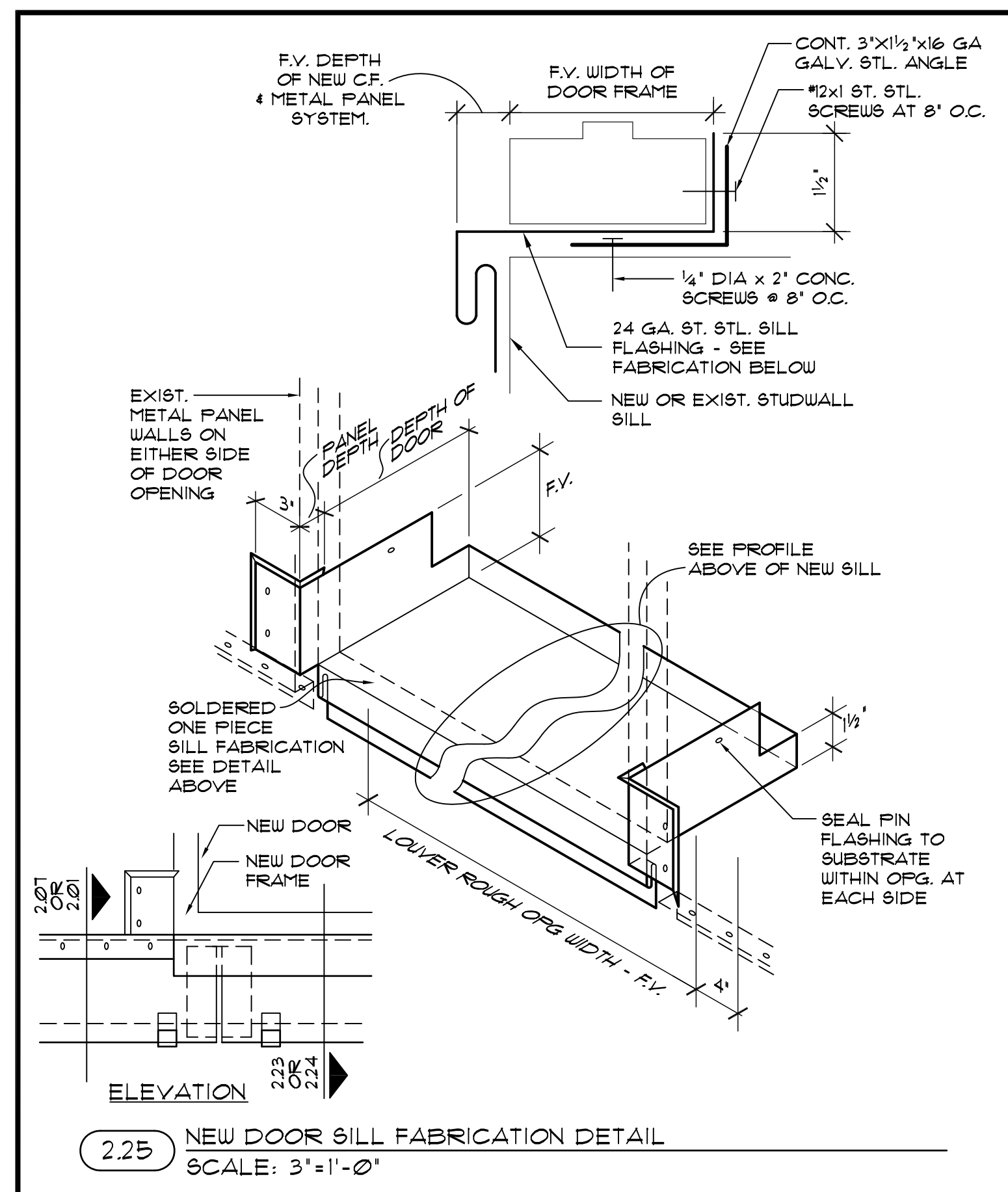
DESIGNATED REPAIRS AND REPLACEMENT OF:

JOB NO.: 16032.00
 DRAWN BY: TAH
 CHECKED BY: JJW
 DATE: 05-08-2017
 SCALE: NTS
 PLOT SCALE:

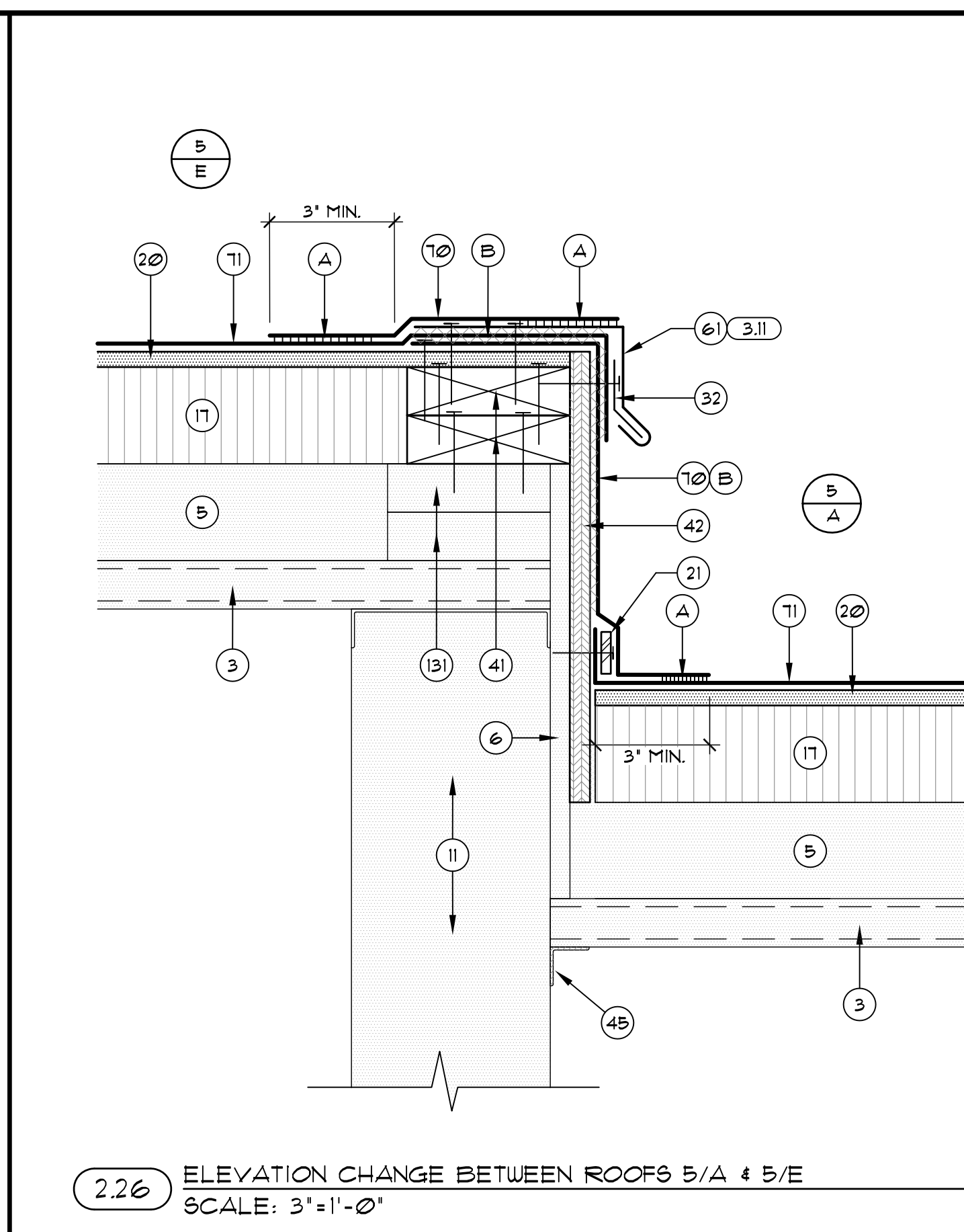
R202

SHEET NO.:
 36 OF 105 SHEET(S)

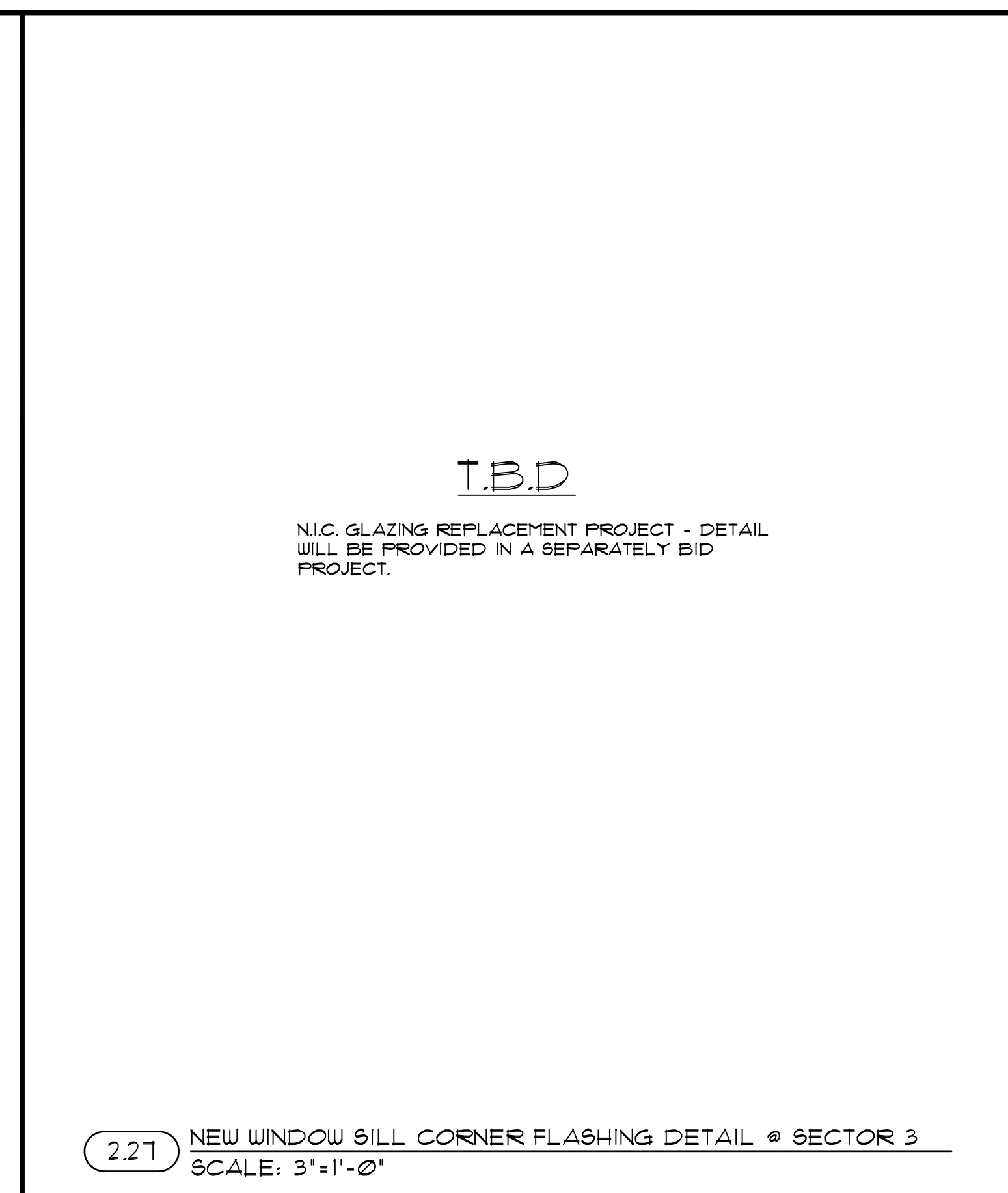
DETAILS 2.13 THRU 2.24



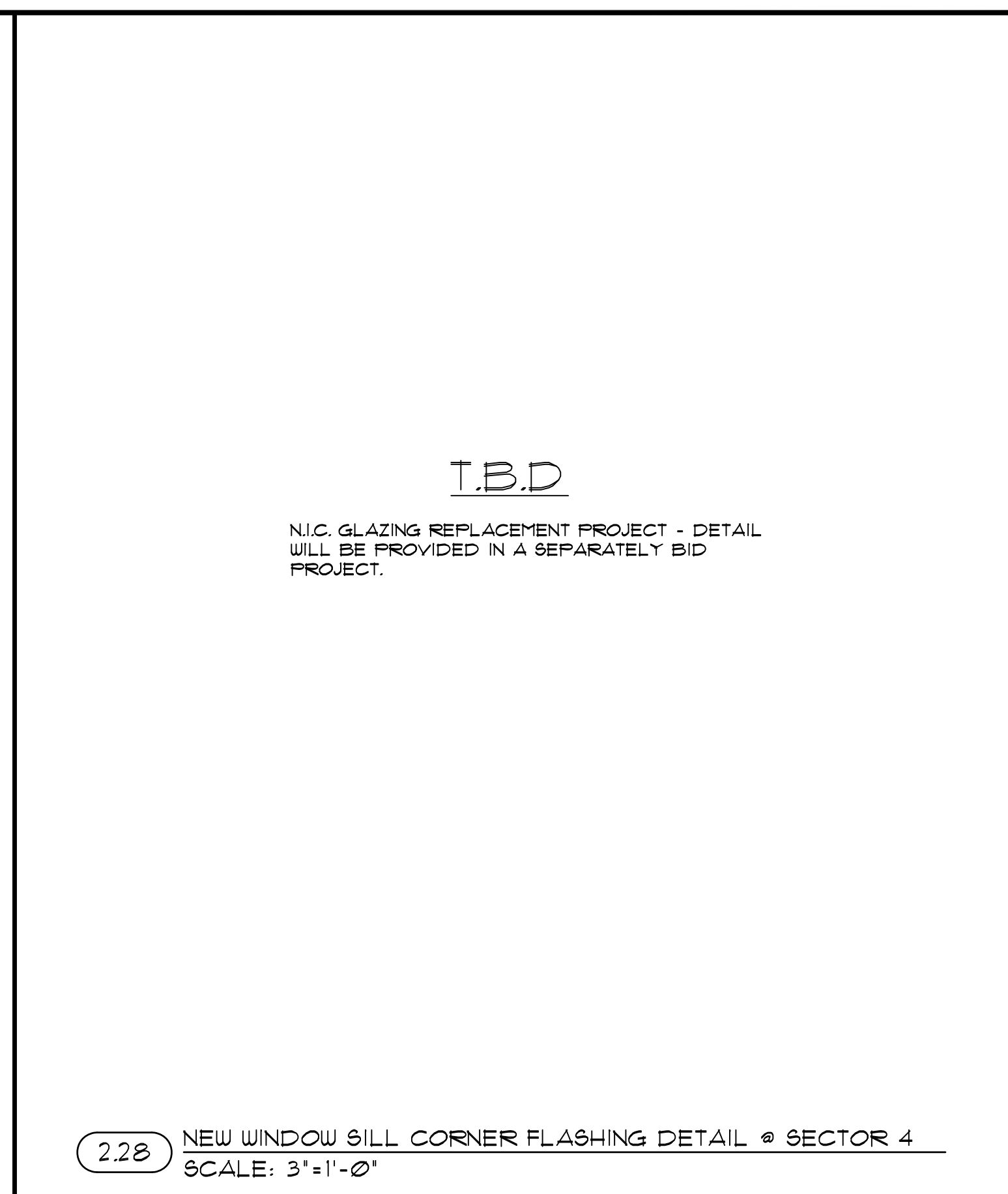
2.25 NEW DOOR SILL FABRICATION DETAIL
SCALE: 3"=1'-0"



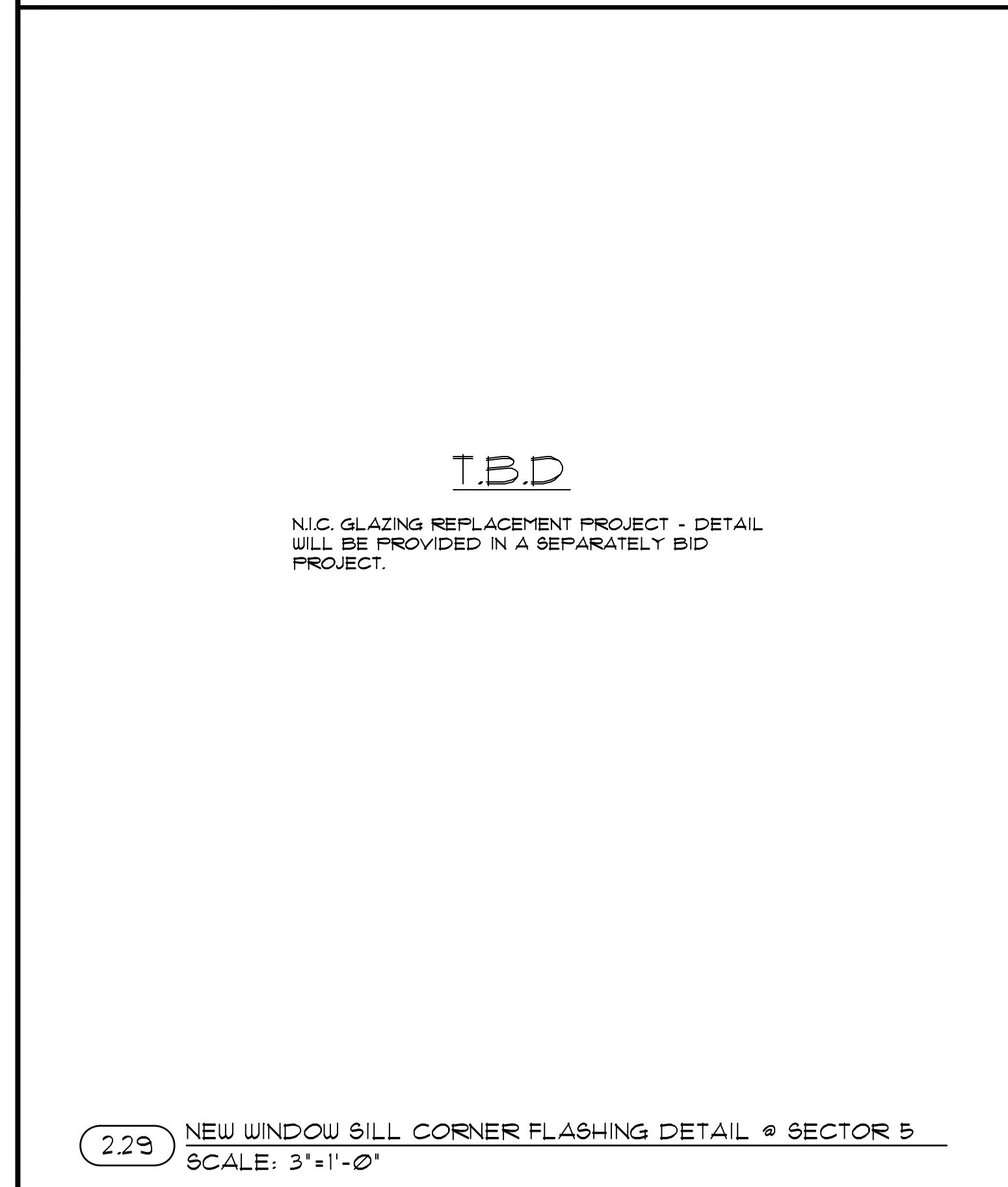
2.26 ELEVATION CHANGE BETWEEN ROOFS 5/A & 5/B
SCALE: 3"=1'-0"



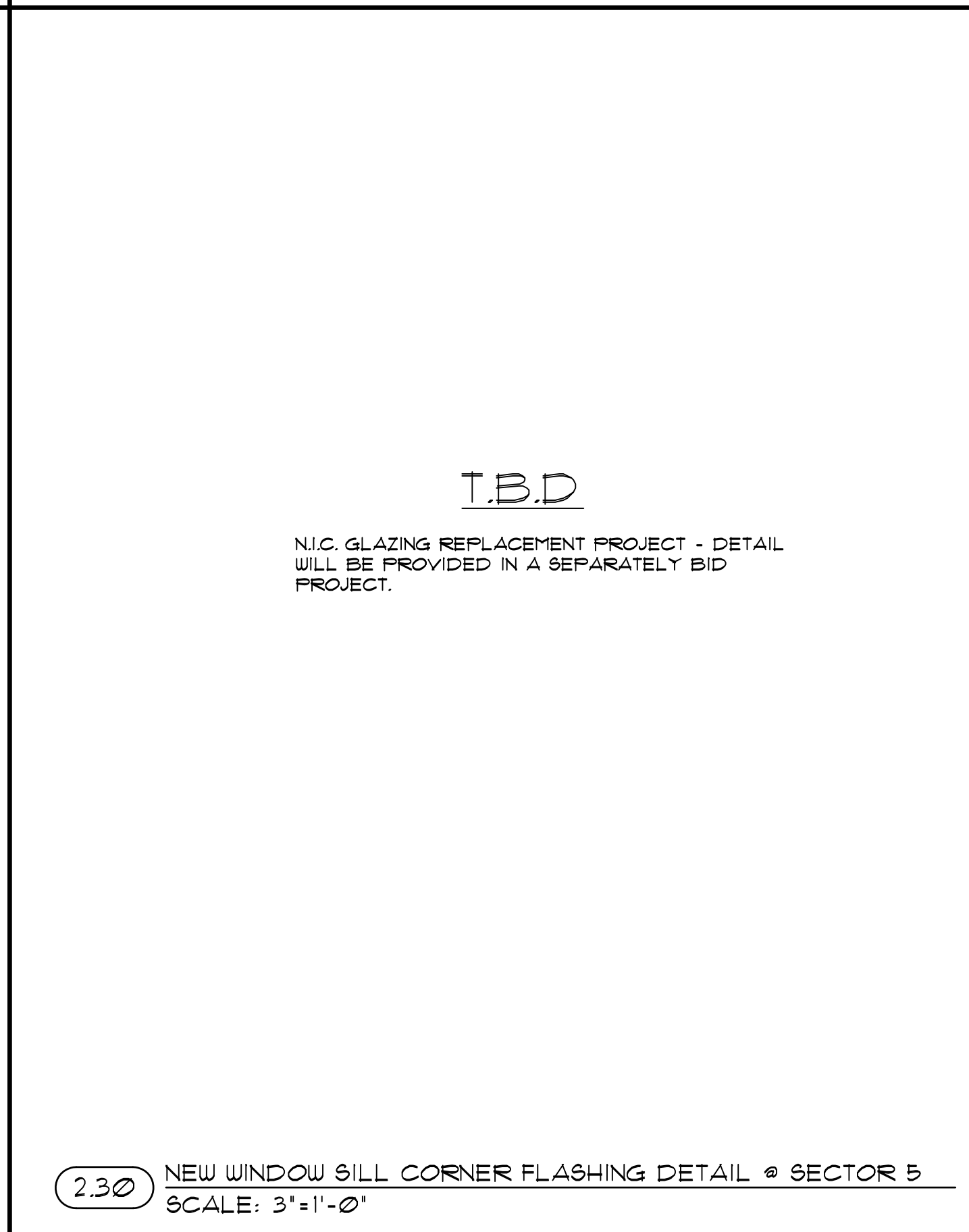
2.27 NEW WINDOW SILL CORNER FLASHING DETAIL @ SECTOR 3
SCALE: 3"=1'-0"



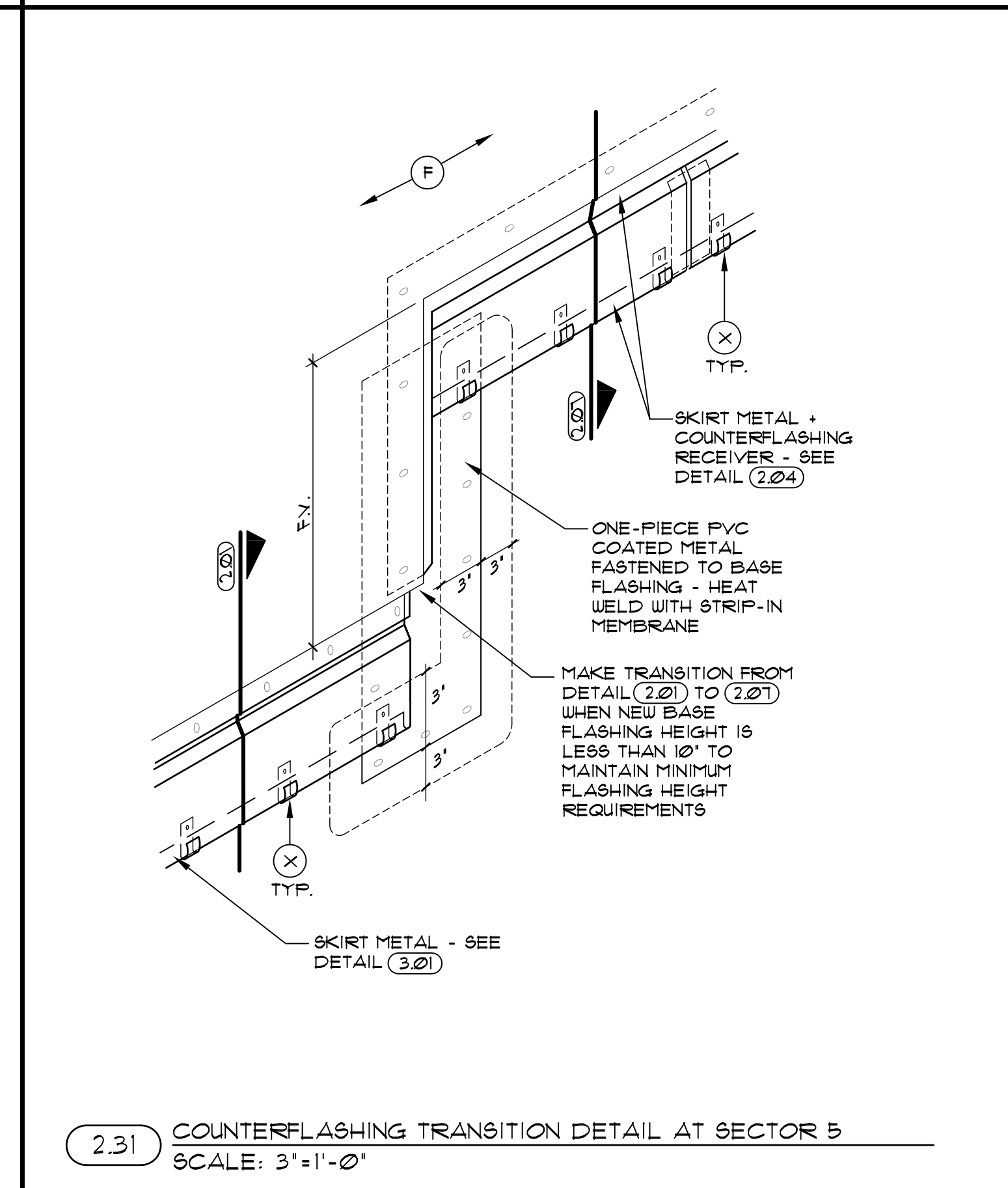
2.28 NEW WINDOW SILL CORNER FLASHING DETAIL @ SECTOR 4
SCALE: 3"=1'-0"



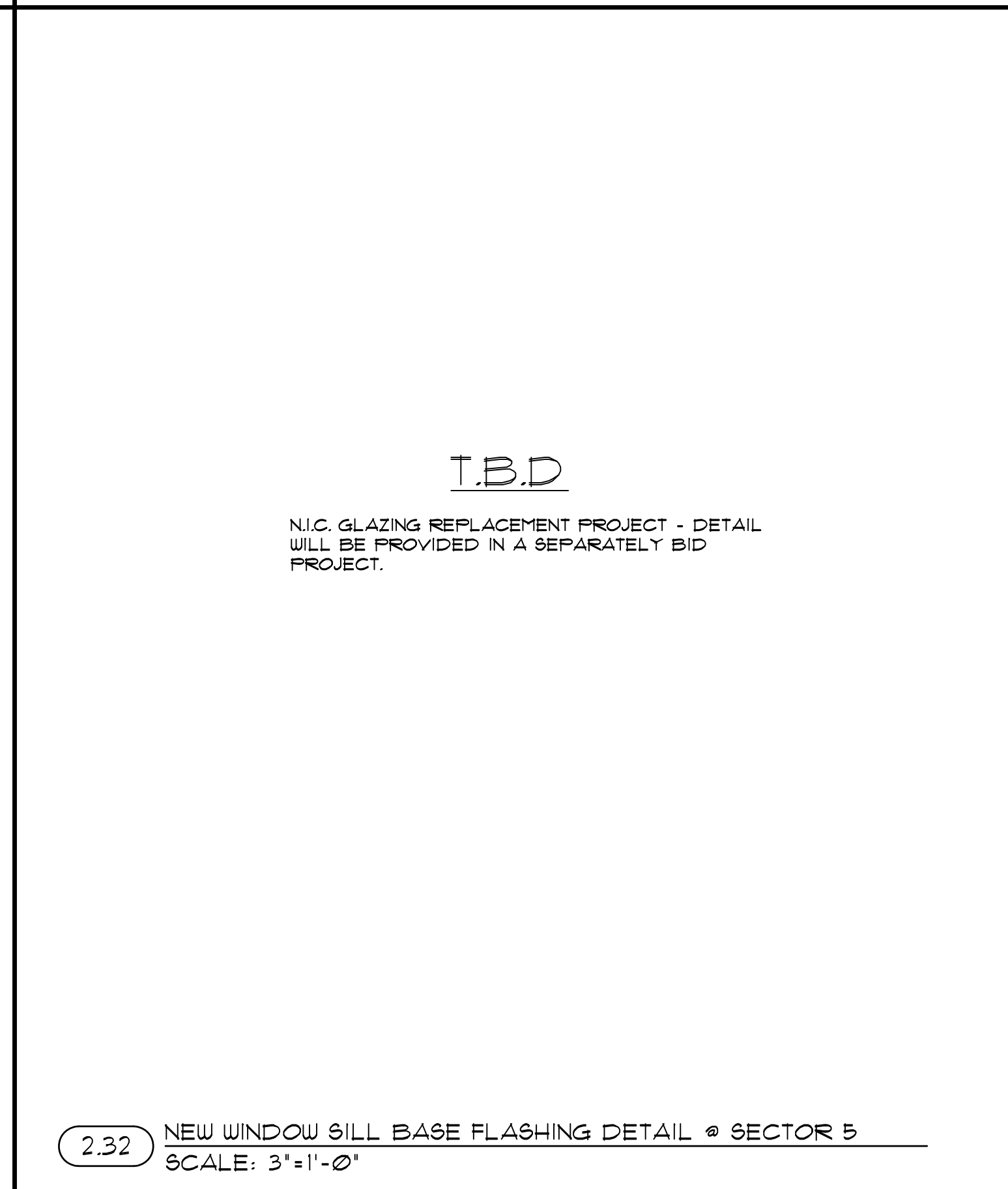
2.29 NEW WINDOW SILL CORNER FLASHING DETAIL @ SECTOR 5
SCALE: 3"=1'-0"



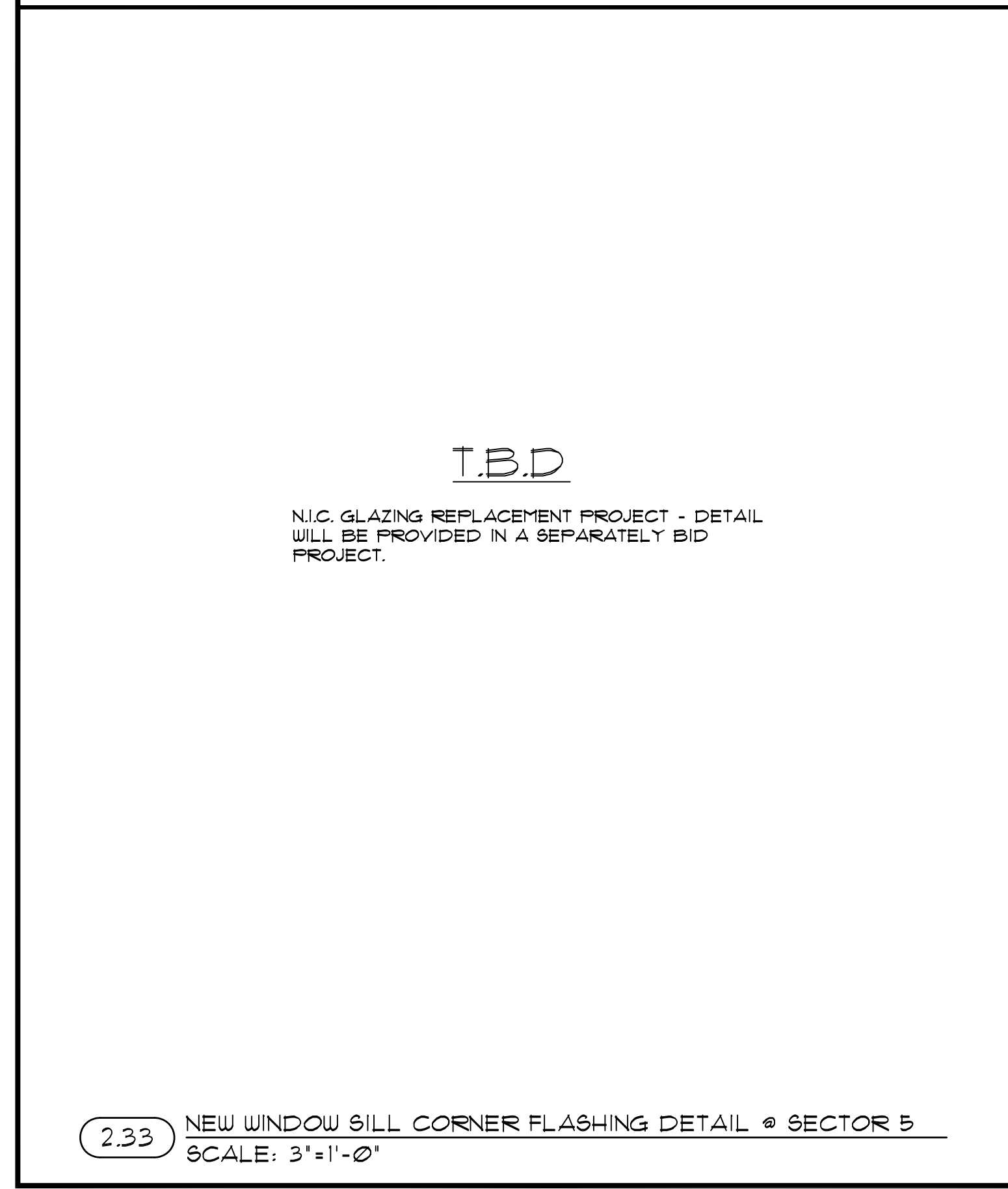
2.30 NEW WINDOW SILL CORNER FLASHING DETAIL @ SECTOR 5
SCALE: 3"=1'-0"



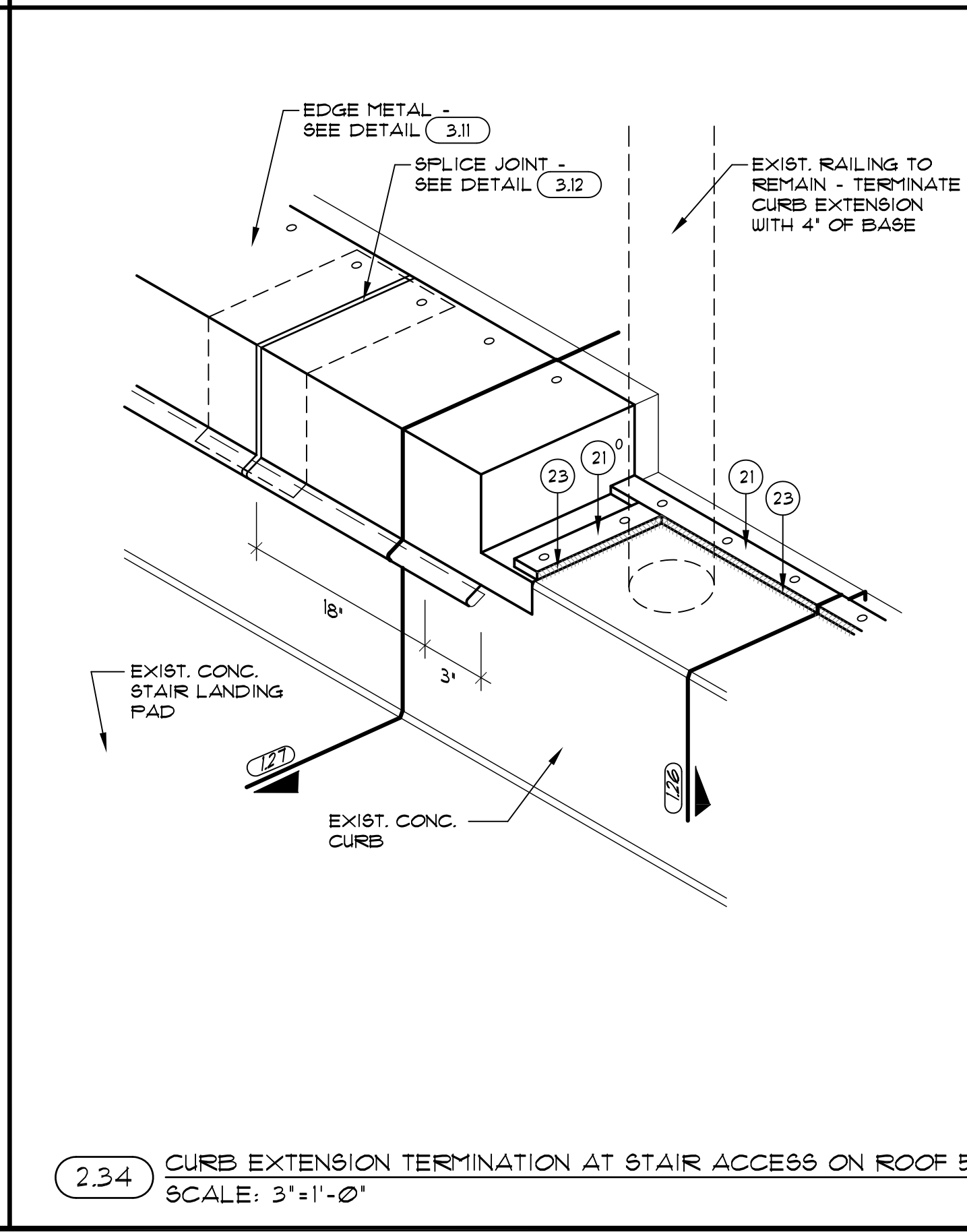
2.31 COUNTERFLASHING TRANSITION DETAIL AT SECTOR 5
SCALE: 3"=1'-0"



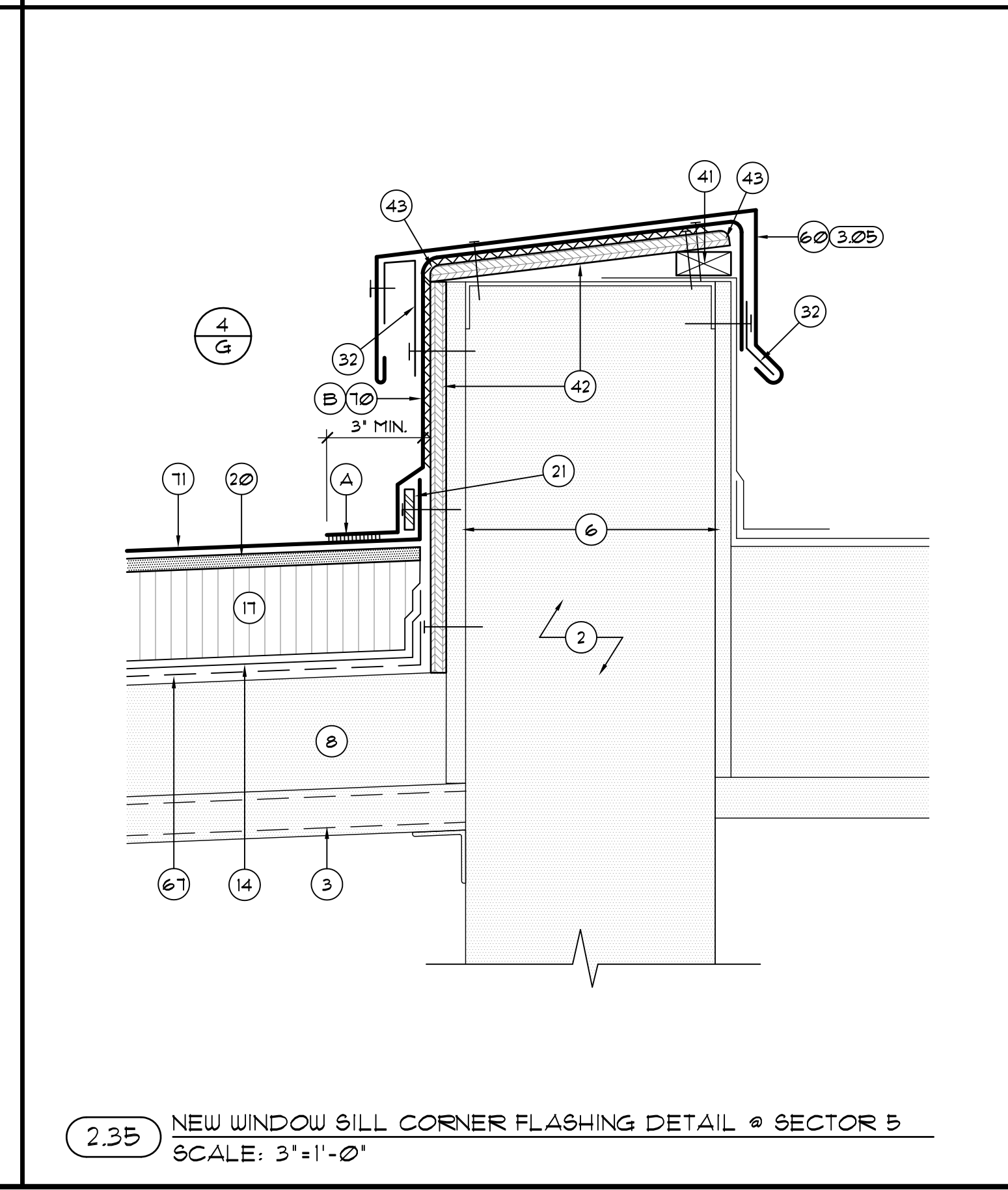
2.32 NEW WINDOW SILL BASE FLASHING DETAIL @ SECTOR 5
SCALE: 3"=1'-0"



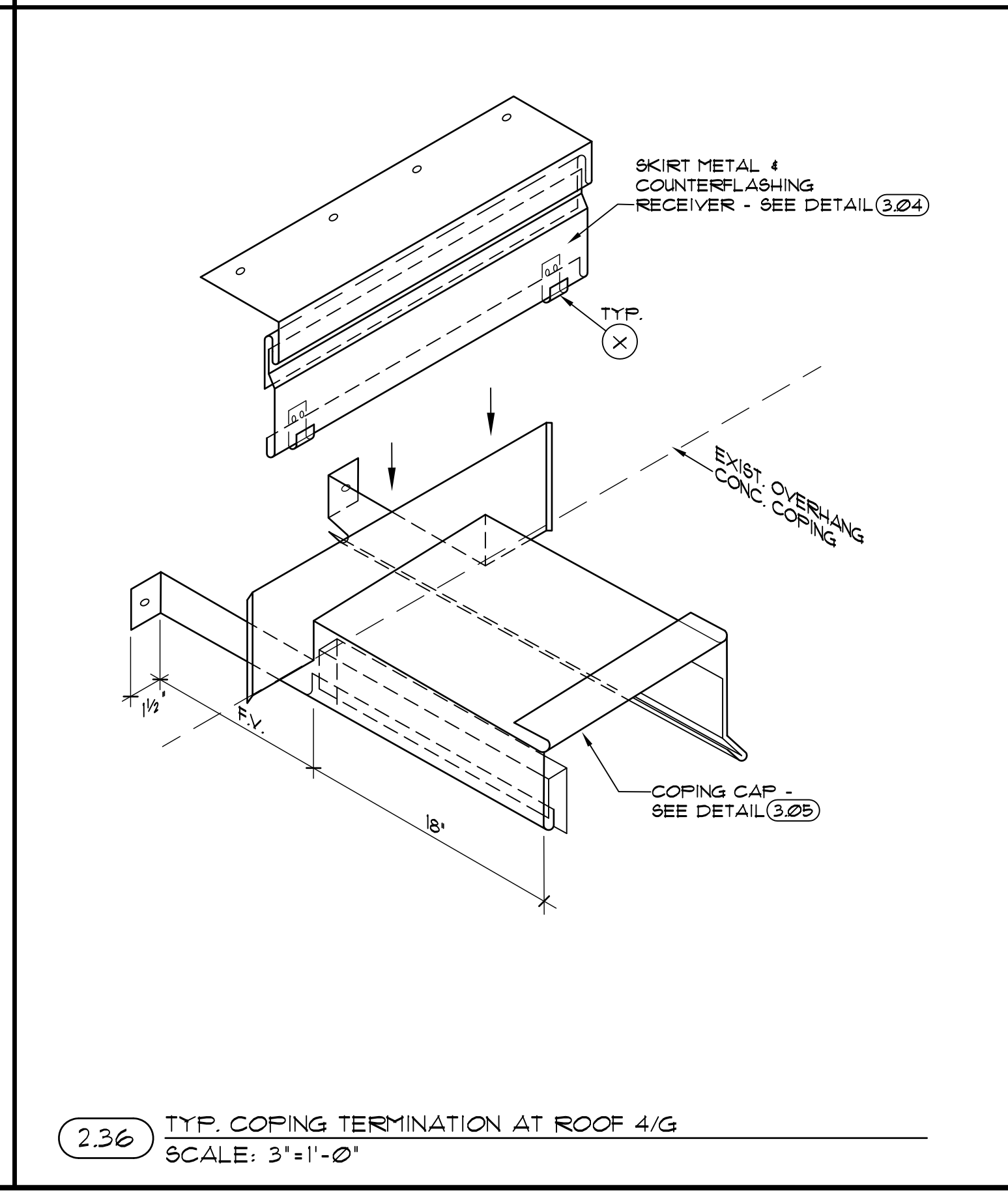
2.33 NEW WINDOW SILL CORNER FLASHING DETAIL @ SECTOR 5
SCALE: 3"=1'-0"



2.34 CURB EXTENSION TERMINATION AT STAIR ACCESS ON ROOF 5/1
SCALE: 3"=1'-0"



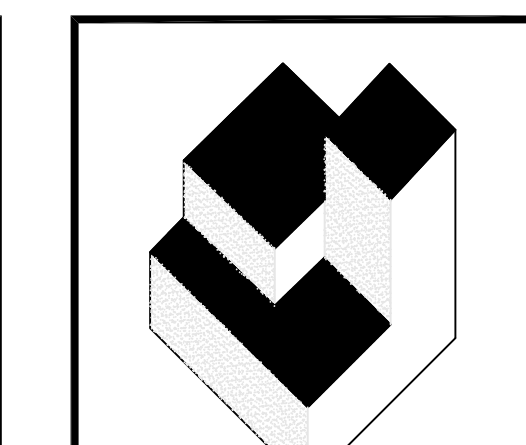
2.35 NEW WINDOW SILL CORNER FLASHING DETAIL @ SECTOR 5
SCALE: 3"=1'-0"



2.36 TYP. COPING TERMINATION AT ROOF 4/G
SCALE: 3"=1'-0"

DETAILS NOTES

1. EXIST. STRUCTURAL CONCRETE DECK
2. EXIST. METAL STUD WALL
3. EXISTING METAL DECK
4. EXISTING PRECAST CONC. PANEL PARAPET
5. EXIST. RIGID INSULATION TO REMAIN
6. EXIST. SHEATHING TO REMAIN
7. EXISTING PENETRATION - EXTEND AS REQ'D TO PROVIDE MIN HEIGHT INDICATED
8. LIGHTWEIGHT INSULATION CONCRETE DECK
9. EXISTING MECHANICAL EQUIPMENT
10. EXISTING CURB TO REMAIN
11. EXISTING CONCRETE/CMU BLOCK WALL
14. PRELIMINARY ROOF
16. BATT INSULATION
17. NON-TAPERED RIGID INSULATION
18. TAPERED RIGID INSULATION
20. 1/2" GYPSUM ROOF BOARD
21. SURFACE APPLIED TERMINATION BAR
22. TWO-PIECE SURFACE APPLIED COUNTERFLASHING - SEE REFERENCED DETAIL
23. SEALANT
24. FLASHING TAPE
32. CONTINUOUS CLEAT
35. SCUPPER 4 DOWNSPOUT CONNECTION - SEE REFERENCED DETAIL
36. NEW SCUPPER 4 CONDUCTOR HEAD W/ 2 BRACKETS - SEE REFERENCED DETAIL
37. NEW SCUPPER - SEE REFERENCED DETAIL
41. P.T. WOOD BLOCKING TO BE FASTENED AT 12" O.C. (MAX.) AND STAGGER - COUNTERSINK HEADS
42. 3/4" FLYWOOD - SCREW FASTEN @ 8" O.C. (MAX.) TO 4 BOTTOM 1 STAGGER - COUNTERSINK HEADS
43. ROUND OFF THIS EDGE
44. NEW ROOF DRAIN - ADJUST ELEV. ABOVE DECK IN FIELD
45. EXISTING STRUCTURE
46. NEW OVERFLOW DRAIN
48. TAPERED RIGID INSULATION BOARD SUMP
53. 24 GA ST. STL. SKIRT METAL
60. PARAPET COPING CAP - SEE REFERENCED DETAIL
61. METAL EDGE DETAIL - SEE DETAIL
67. VENTED BASE SHEET
70. FLEXIBLE SHEET FLASHING
71. FLEXIBLE SHEET MEMBRANE
133. EXISTING WOOD BLOCKING TO REMAIN, REPLACE WHERE DAMAGED OR DETERIORATED
- A. HEAT WELD
- B. MFR APPROVED ADHESIVE
- C. FASTENER W/ STRESS PLATE
- D. MANUFACTURER'S APPROVED FLEECE REINFORCED LIQUID APPLIED FLASHING SYSTEM
- E. NEW ST. STL. FASTENER W/ NEOPRENE BACKED WASHER - BACK OUT EXIST. FASTENER AND REPLACE WITH ONE SIZE LARGER AT EXIST. LOCATION
- F. EXIST. METAL PANEL WALL SYS. TO REMAIN
- G. NEW UNDER DECK CLAMP
- H. DRAIN PIPE - INSTALL NEW AS REQ'D
- I. NEW STRAINER
- J. NEW CLAMPING RING
- K. NEW MFR'S STD. ADJUSTABLE HEIGHT COLLAR - ANCHOR TO DECK W/ 4-1/2" SCREWS
- L. INFILL AREA AS NEEDED W/ FOAM OR RIGID INSULATION
- M. PREFORMED STACK FLASHING
- N. STAINLESS STEEL DRAW BAND
- O. PROVIDE NEW 18 GA GALV. FRAMING AT PERIMETER OF SCUPPER FOR SUPPORT THROUGH WALL SYSTEM
- P. BRACE EXIST. METAL PANEL OPENING W/ NEW 18 GA GALV. FRAMING AT PERIMETER OF EXIST. SCUPPER OPENING
- Q. ST. STL. DRIVE PIN FASTENER W/ NEOPRENE BACKED METAL WASHER @ 8" O.C.
- R. EXISTING STUCCO
- S. ANCHOR STRAPS PER REFERENCED DETAIL
- T. NEW CLAMPING RING WITH RAISED HUB
- U. 24 GA ST. STL. DRAIN COVER - ATTACH TO TOP OF STRAINER
- V. INSTALL NEW 2"x6" METAL FRAME PARAPET WITH SPACING @ 16" O.C.
- W. EXPANSION JOINT FILLER - CLOSED CELL POLYETHYLENE TUBING.
- X. 3" WIDE 26 GA ST. STL. RETAINER CLEATS @ 18" O.C. - ANCHOR W/ 2 FASTENERS EACH - BEND UP IN FIELD TO SECURE SKIRT METAL



A/R/C Associates Incorporated
Architecture
Roof Consulting
Construction Technology
LIC. NBR AAC000932
601 North Fern Creek Avenue
Suite 100 Orlando, FL
32803-4899
Tel. (407) 896-7875
Fax. (407) 898-6043
Copyright © A/R/C ASSOCIATES, INC.

| REVISIONS | | |
|-----------|------|-----|
| NO. | DATE | BY: |
| | | |
| | | |

SGM ENGINEERING
MEP CONSULTING ENGINEERS
3350 Lake Baldwin Lane
Orlando, FL 32814
Tel. 407-767-5188
Fax. 407-767-5772
www.sgmengineering.com
Copyright © 2014 SGM Engineering, Inc.

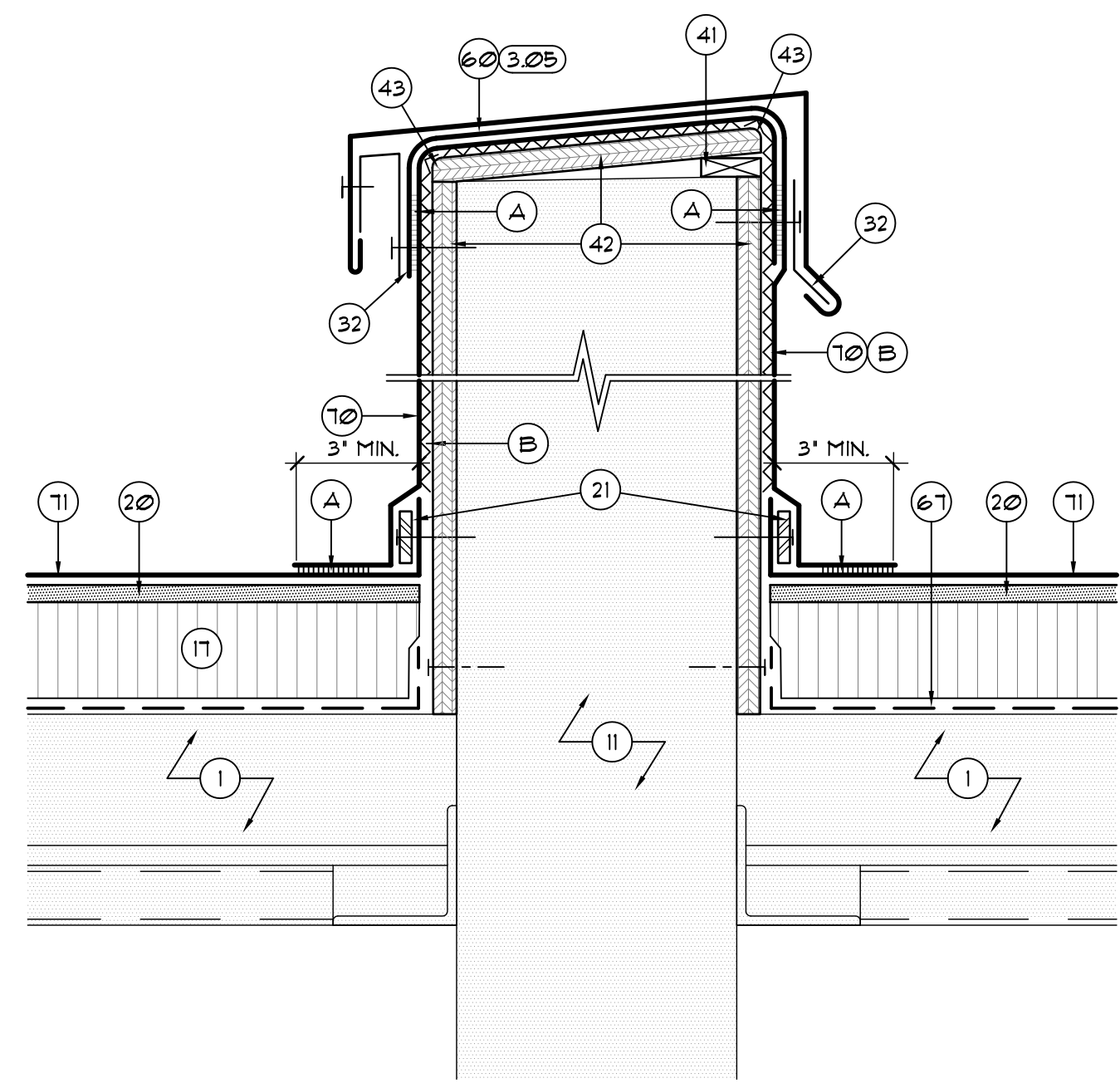
BASE ENGINEERING
Engineering & Construction I.T.S.
1714 EAST GINGERBREAD STREET
ORLANDO, FLORIDA 32803
P. 407-377-7277

DESIGNATED REPAIRS AND REPLACEMENT OF:
OCCC WEST BLDG ROOF REPLACEMENT
ORANGE COUNTY CONVENTION CENTER
9800 INTERNATIONAL DRIVE, ORLANDO, FL 32819

DETAILS 2.25 THRU 3.36

JOB NO.: 16032.00
DRAWN BY: TAH
CHECKED BY: JJW
DATE: 05-08-2017
SCALE: NTS
PLOT SCALE:

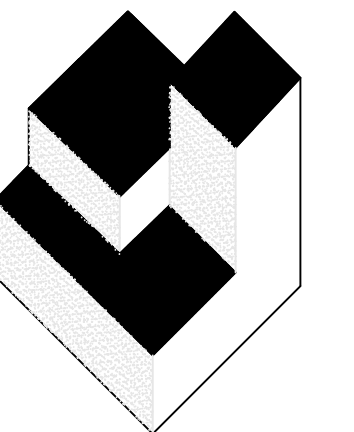
R203
SHEET NO.: 37 OF 105 SHEET(S)



2.37 AREA DIVIDER FLASHING BETWEEN ROOF 3/D + 3/E
SCALE: 3/16"=1'-0"

DETAILS NOTES

1. EXISTING STRUCTURAL CONCRETE DECK
 2. EXIST. METAL STUD WALL
 3. EXISTING METAL DECK
 4. EXISTING PRECAST CONC. PANEL PARAPET
 5. EXIST. RIGID INSULATION TO REMAIN
 6. EXIST. SHEATHING TO REMAIN
 7. EXISTING PENETRATION - EXTEND AS REQ'D TO PROVIDE MIN. HEIGHT INDICATED
 8. LIGHTWEIGHT INSULATION CONCRETE DECK
 9. EXISTING MECHANICAL EQUIPMENT
 10. EXISTING CURB TO REMAIN
 11. EXISTING CONCRETE/CMU BLOCK WALL
 14. PRELIMINARY ROOF
 16. BATT INSULATION
 17. NON-TAPERED RIGID INSULATION
 18. TAPERED RIGID INSULATION
 20. 1/2" GYPSUM ROOF BOARD
 21. SURFACE APPLIED TERMINATION BAR
 22. TWO-PIECE SURFACE APPLIED COUNTERFLASHING - SEE REFERENCED DETAIL
 23. SEALANT
 24. FLASHING TAPE
 32. CONTINUOUS CLEAT
 35. SCUPPER & DOWNSPOUT CONNECTION - SEE REFERENCED DETAIL
 36. NEW SCUPPER & CONDUCTOR HEAD W/ 2 BRACKETS - SEE REFERENCED DETAIL
 37. NEW SCUPPER - SEE REFERENCED DETAIL
 41. P.T. WOOD BLOCKING TO BE FASTENED AT 12" O.C. (MAX.) AND STAGGER - COUNTERSINK HEADS
 42. 3/4" PLYWOOD - SCREW FASTEN @ 8" O.C. (MAX.) TOP & BOTTOM & STAGGER - COUNTERSINK HEADS
 43. ROUND OFF THIS EDGE
 44. NEW ROOF DRAIN - ADJUST ELEV. ABOVE DECK IN FIELD
 45. EXISTING STRUCTURE
 46. NEW OVERFLOW DRAIN
 48. TAPERED RIGID INSULATION BOARD SUMP
 49. 24 GA ST. STL. SKIRT METAL
 60. PARAPET COPING CAP - SEE REFERENCED DETAIL
 61. METAL EDGE DETAIL - SEE DETAIL
 67. VENTED BASE SHEET
 70. FLEXIBLE SHEET FLASHING
 71. FLEXIBLE SHEET MEMBRANE
 133. EXISTING WOOD BLOCKING TO REMAIN, REPLACE WHERE DAMAGED OR DETERIORATED
- A. HEAT WELD
 B. MFR APPROVED ADHESIVE
 C. FASTENER W/ STRESS PLATE
 D. MANUFACTURER'S APPROVED FLEECE REINFORCED LIQUID APPLIED FLASHING SYSTEM
 E. NEW ST. STL. FASTENER W/ NEOPRENE BACKED WASHER - BACK OUT EXIST. FASTENER AND REPLACE WITH ONE SIZE LARGER AT EXIST. LOCATIONS
 F. EXIST. METAL PANEL WALL SYS. TO REMAIN
 G. NEW UNDER DECK CLAMP
 H. DRAIN PIPE - INSTALL NEW AS REQ'D
 I. NEW STRAINER
 J. NEW CLAMPING RING
 K. NEW MFR'S STD. ADJUSTABLE HEIGHT COLLAR - ANCHOR TO DECK W/ 4-1/2" SCREWS
 L. INFILL AREA AS NEEDED W/ FOAM OR RIGID INSULATION
 M. PREFORMED STACK FLASHING
 N. STAINLESS STEEL DRAW BAND
 O. PROVIDE NEW 18 GA. GALV. FRAMING AT PERIMETER OF SCUPPER FOR SUPPORT THROUGH WALL SYSTEM
 P. BRACE EXIST. METAL PANEL OPENING W/ NEW 18 GA. GALV. FRAMING AT PERIMETER OF EXIST. SCUPPER OPENING
 Q. ST. STL. DRIVE PIN FASTENER W/ NEOPRENE BACKED METAL WASHER @ 8" O.C.
 R. EXISTING STUCCO
 S. ANCHOR STRAPS PER REFERENCED DETAIL
 T. NEW CLAMPING RING WITH RAISED HUB
 U. 24 GA ST. STL. DRAIN COVER - ATTACH TO TOP OF STRAINER
 V. INSTALL NEW 2"x6" METAL FRAME PARAPET WITH SPACING @ 16" O.C.
 W. EXPANSION JOINT FILLER - CLOSED CELL POLYETHYLENE TUBING.
 X. 3" WIDE 26 GA ST. STL. RETAINER CLEATS @ 18" O.C. - ANCHOR W/ 2 FASTENERS EACH - BEND UP IN FIELD TO SECURE SKIRT METAL

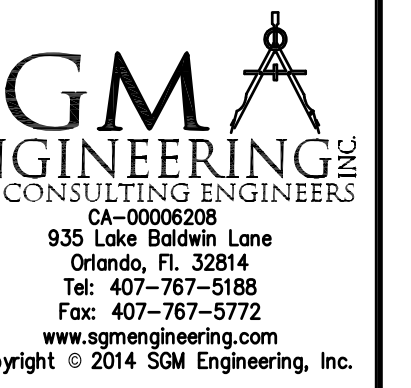


A/R/C
Associates
Incorporated

Architecture
Roof Consulting
Construction Technology
LIC. NBR AAC000932
601 North Fern Creek Avenue
Suite 100 Orlando, FL
32803-4899
Tel. (407) 896-7875
Fax. (407) 898-6043
COPYRIGHT © A/R/C ASSOCIATES, INC.

JAMES W. RIPLEY AR-001750
JOSEPH J. WILLIAMS AR-007984

| REVISIONS | | |
|-----------|------|-----|
| NO. | DATE | BY: |
| | | |
| | | |



SGM
ENGINEERING INC.
MEP CONSULTING ENGINEERS
935 Lake Baldwin Lane
Orlando, FL 32814
Tel. 407-767-5188
Fax. 407-767-5772
www.sgmengineering.com
Copyright © 2014 SGM Engineering, Inc.



BASE
ENGINEERING CONSULTANTS
1754 EAST CHANDLER STREET
ORLANDO, FLORIDA 32803
P. 407.377.7277

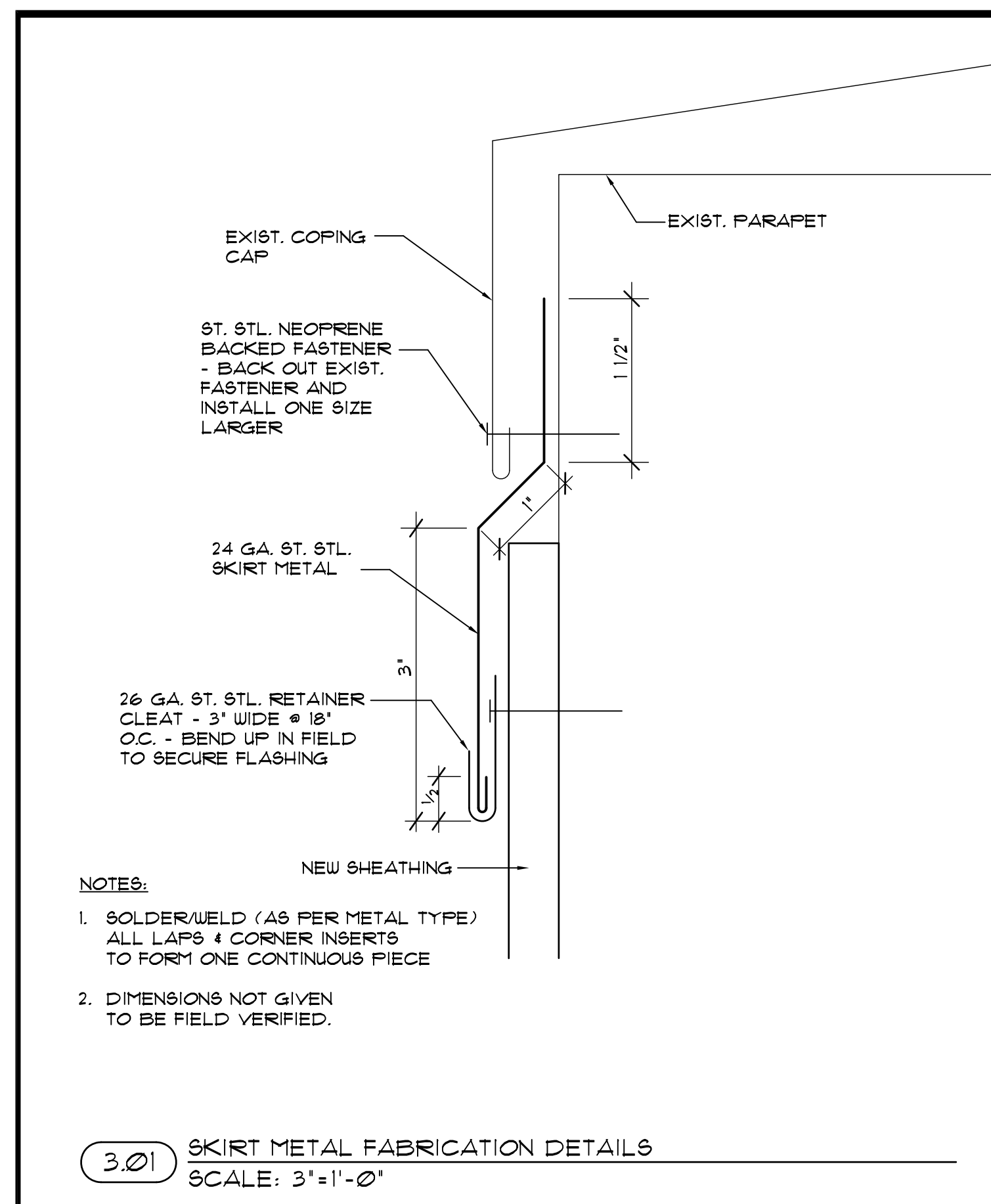
DESIGNATED REPAIRS AND REPLACEMENT OF:
OCCC WEST BLDG ROOF REPLACEMENT
ORANGE COUNTY CONVENTION CENTER
9800 INTERNATIONAL DRIVE, ORLANDO, FL 32819

JOB NO.: 16032.00
DRAWN BY: TAH
CHECKED BY: JJW
DATE: 05-08-2017
SCALE: NTS
PLOT SCALE:

R204

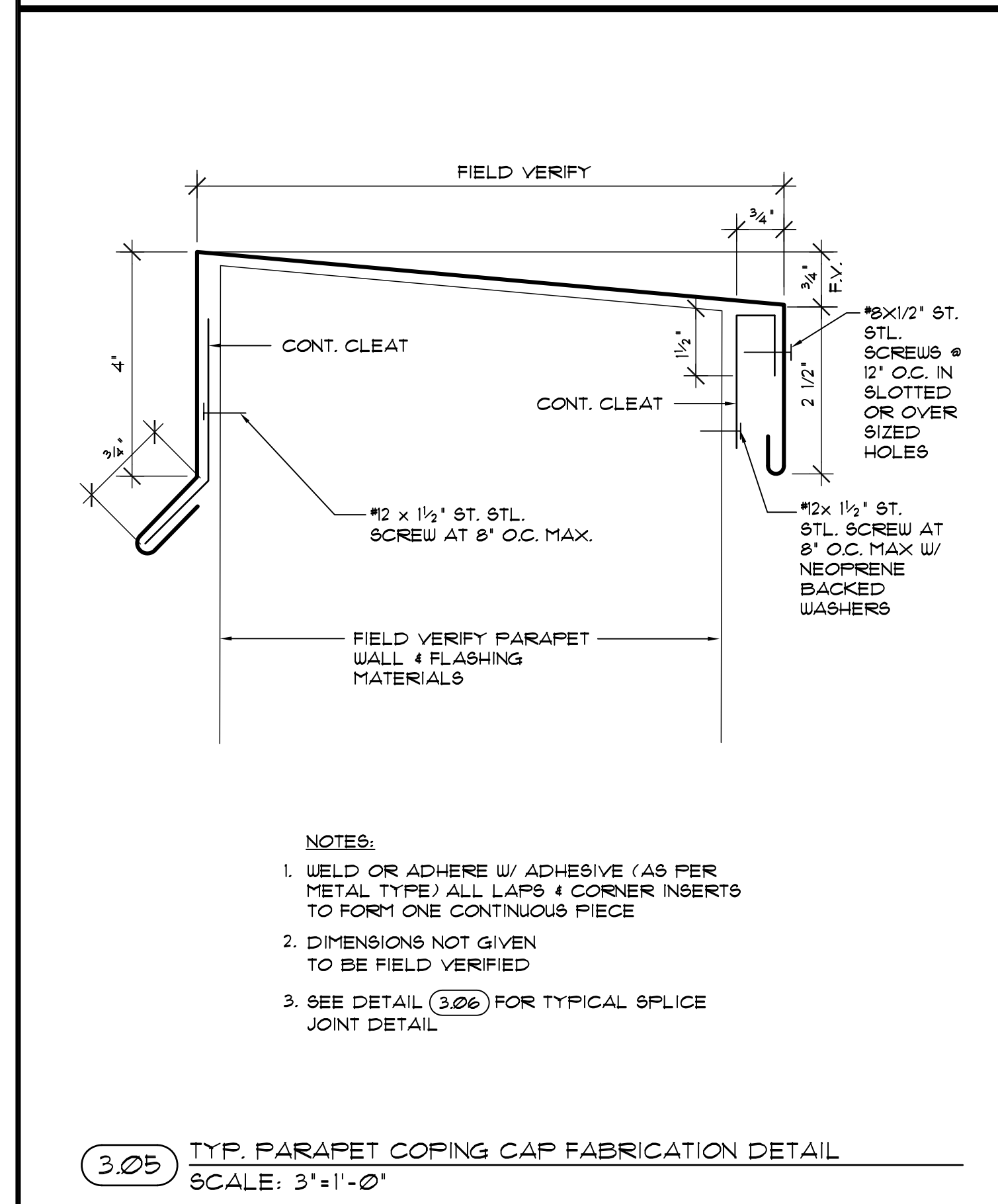
SHEET NO.:
38 OF 108 SHEET(S)

DETAIL 2.37



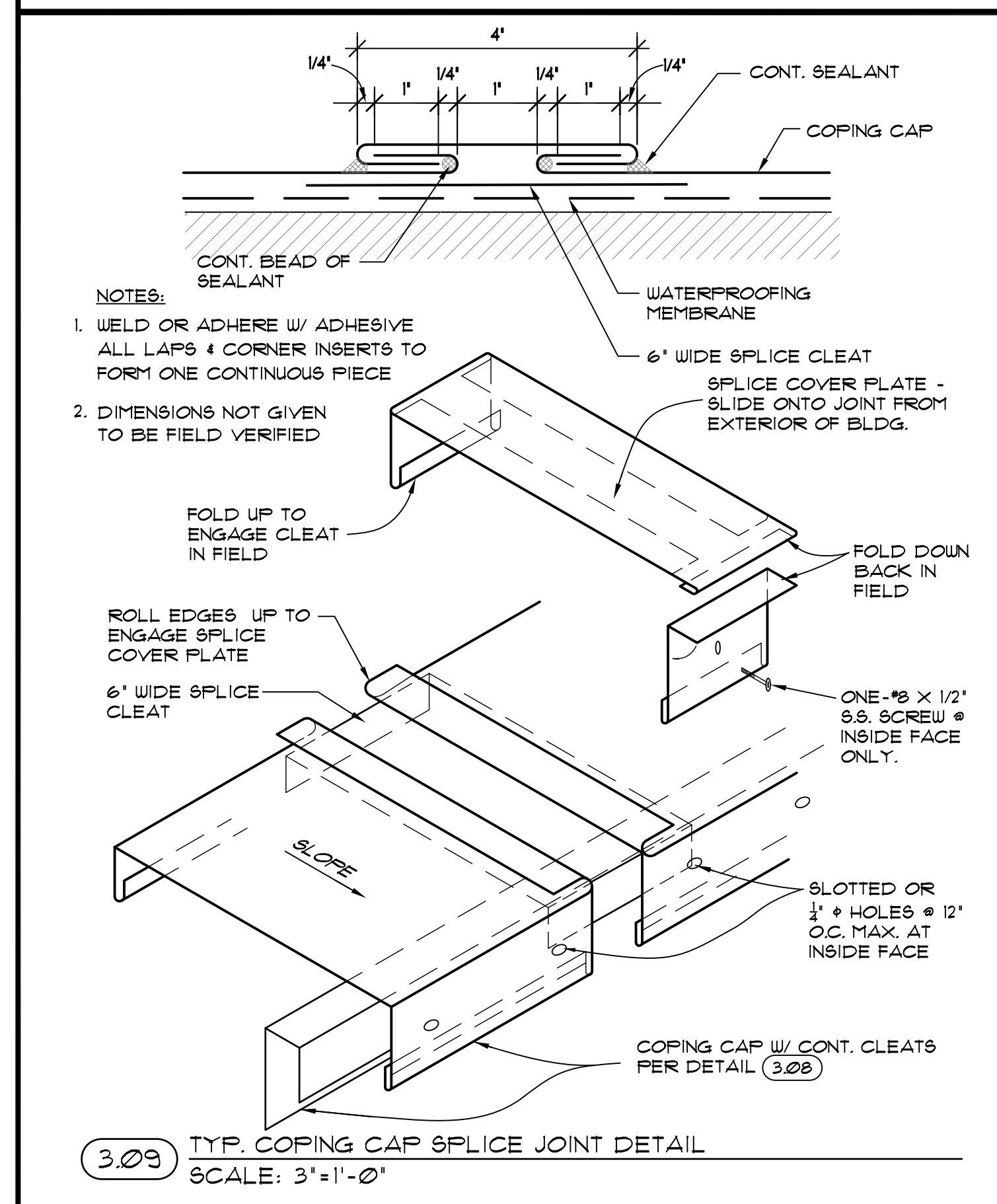
- NOTES:
1. SOLDER/WELD (AS PER METAL TYPE) ALL LAPS & CORNER INSERTS TO FORM ONE CONTINUOUS PIECE
 2. DIMENSIONS NOT GIVEN TO BE FIELD VERIFIED.

3.01 SKIRT METAL FABRICATION DETAILS
SCALE: 3"=1'-0"



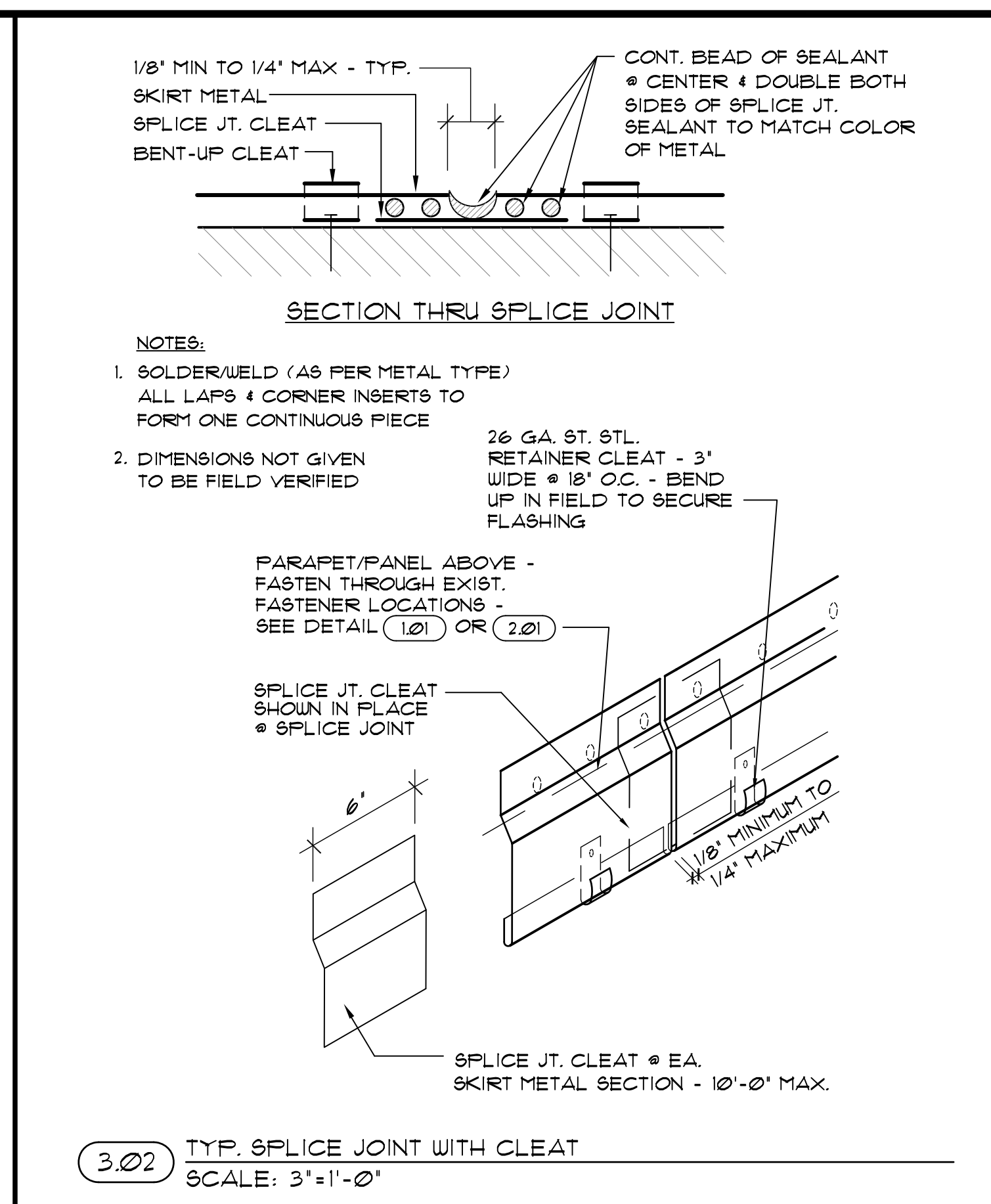
- NOTES:
1. WELD OR ADHERE W/ ADHESIVE (AS PER METAL TYPE) ALL LAPS & CORNER INSERTS TO FORM ONE CONTINUOUS PIECE
 2. DIMENSIONS NOT GIVEN TO BE FIELD VERIFIED
 3. SEE DETAIL (3.06) FOR TYPICAL SPLICE JOINT DETAIL

3.05 TYP. PARAPET COPING CAP FABRICATION DETAIL
SCALE: 3"=1'-0"



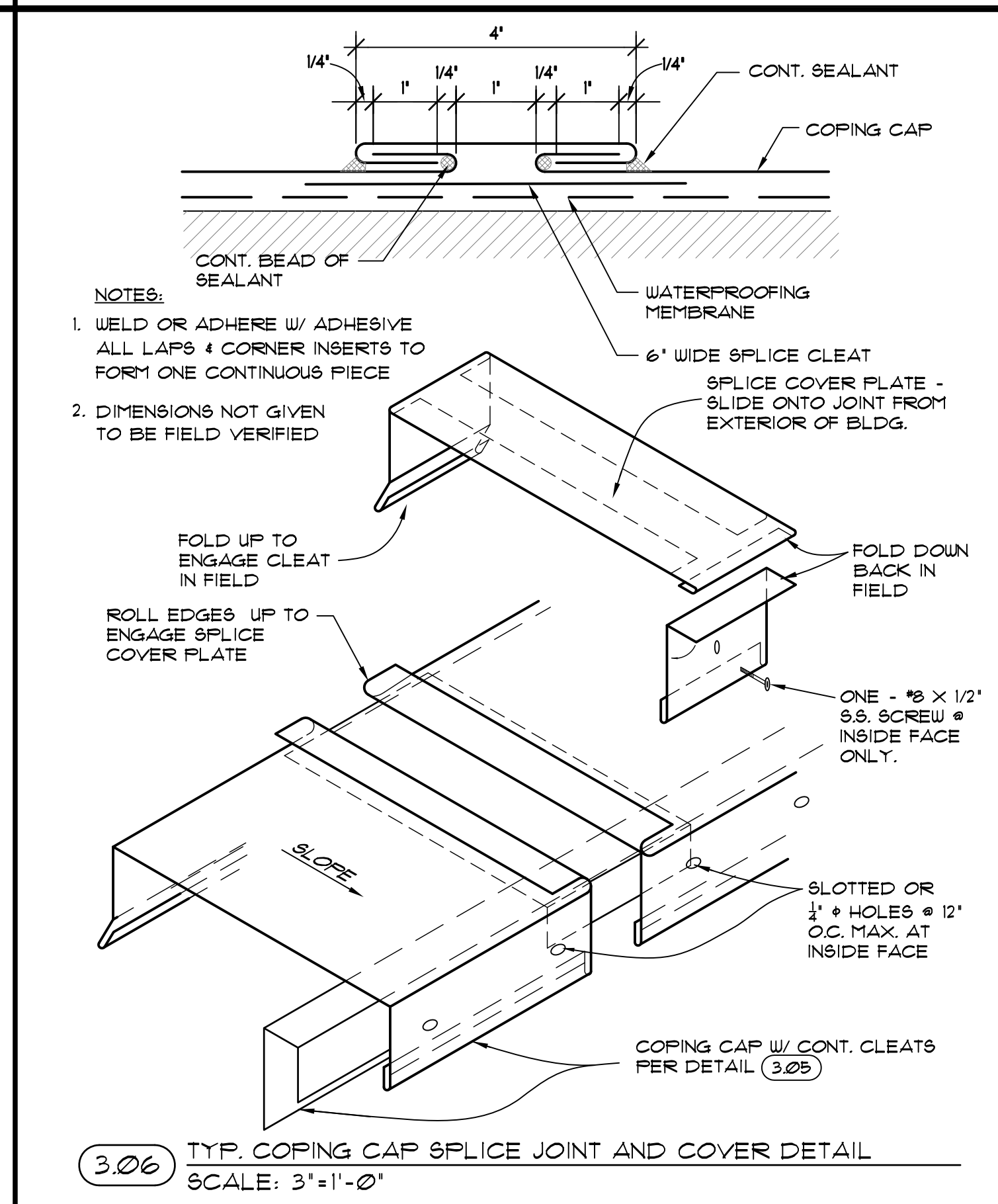
- NOTES:
1. WELD OR ADHERE W/ ADHESIVE (AS PER METAL TYPE) ALL LAPS & CORNER INSERTS TO FORM ONE CONTINUOUS PIECE
 2. DIMENSIONS NOT GIVEN TO BE FIELD VERIFIED

3.09 TYP. COPING CAP SPLICE JOINT DETAIL
SCALE: 3"=1'-0"



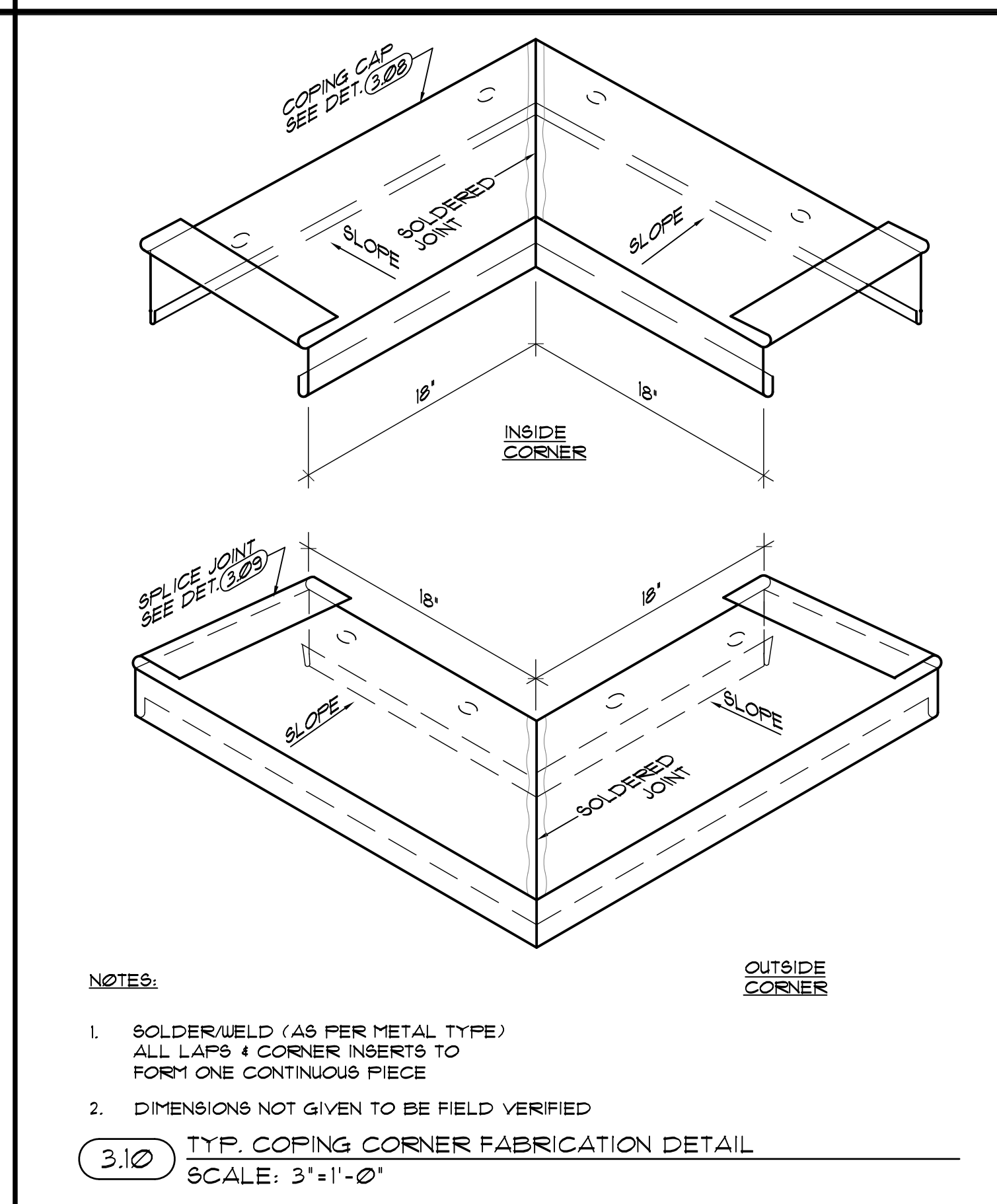
- NOTES:
1. SOLDER/WELD (AS PER METAL TYPE) ALL LAPS & CORNER INSERTS TO FORM ONE CONTINUOUS PIECE
 2. DIMENSIONS NOT GIVEN TO BE FIELD VERIFIED

3.02 TYP. SPLICE JOINT WITH CLEAT
SCALE: 3"=1'-0"



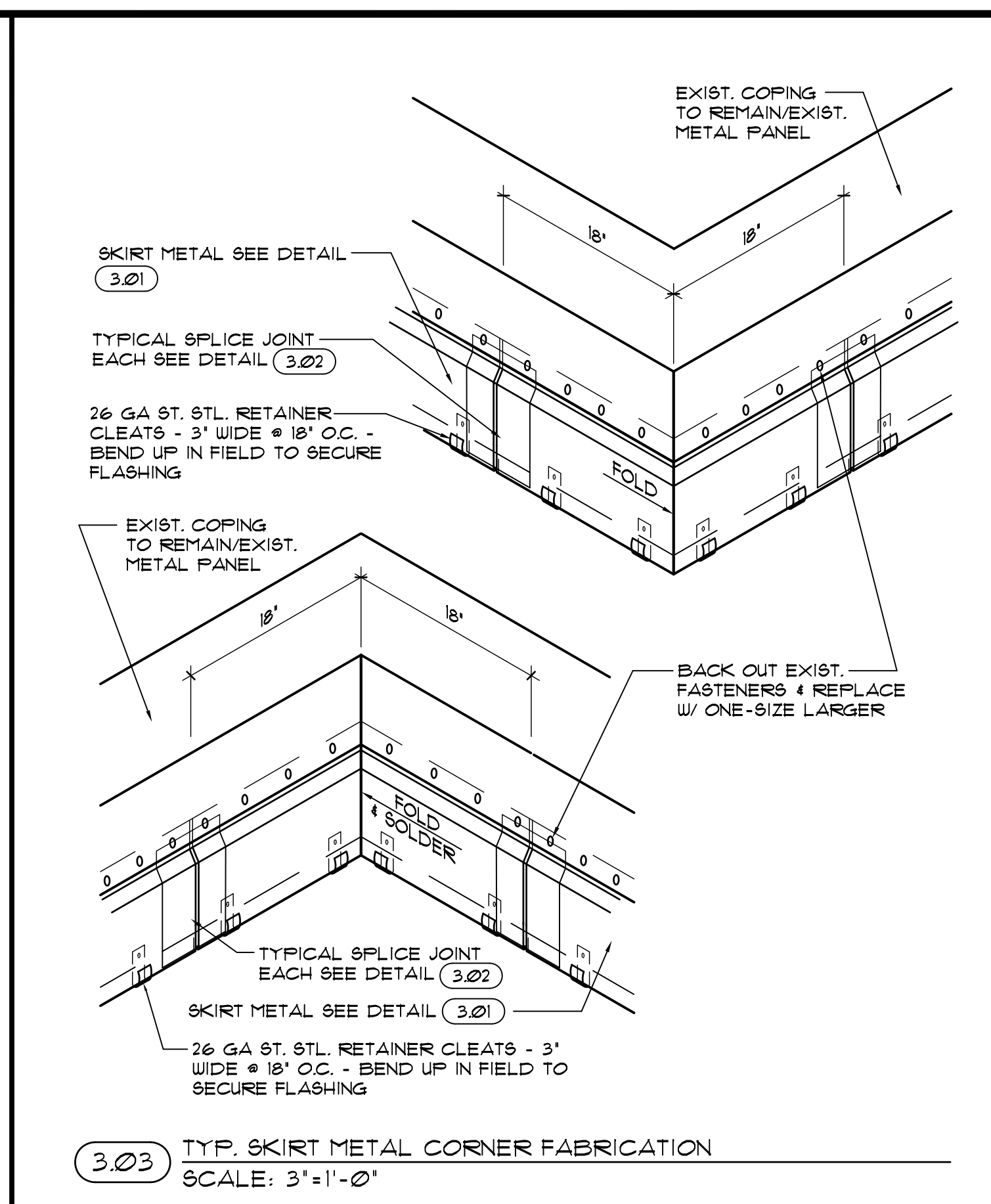
- NOTES:
1. WELD OR ADHERE W/ ADHESIVE (AS PER METAL TYPE) ALL LAPS & CORNER INSERTS TO FORM ONE CONTINUOUS PIECE
 2. DIMENSIONS NOT GIVEN TO BE FIELD VERIFIED

3.06 TYP. COPING CAP SPLICE JOINT AND COVER DETAIL
SCALE: 3"=1'-0"



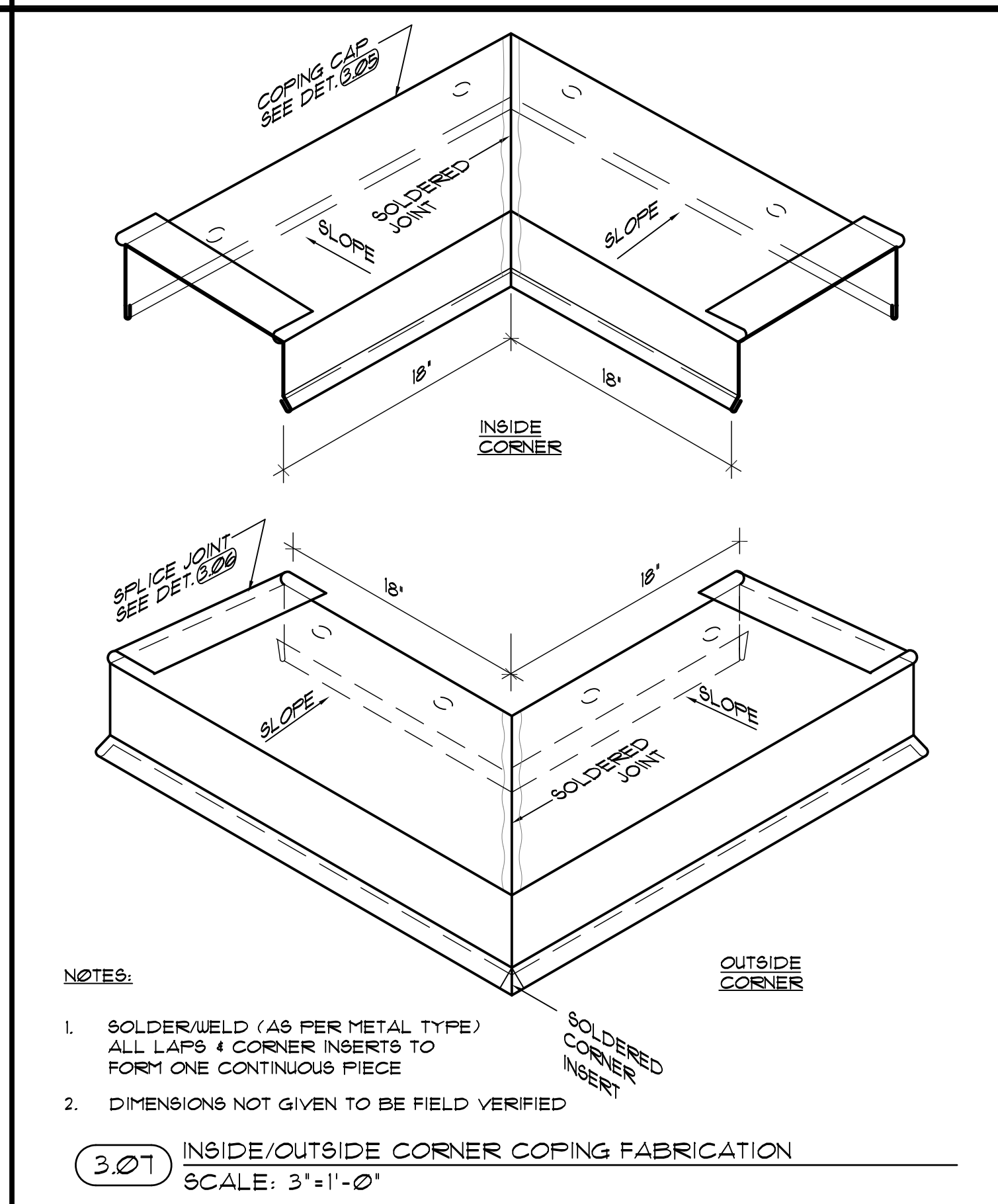
- NOTES:
1. SOLDER/WELD (AS PER METAL TYPE) ALL LAPS & CORNER INSERTS TO FORM ONE CONTINUOUS PIECE
 2. DIMENSIONS NOT GIVEN TO BE FIELD VERIFIED

3.10 TYP. COPING CORNER FABRICATION DETAIL
SCALE: 3"=1'-0"



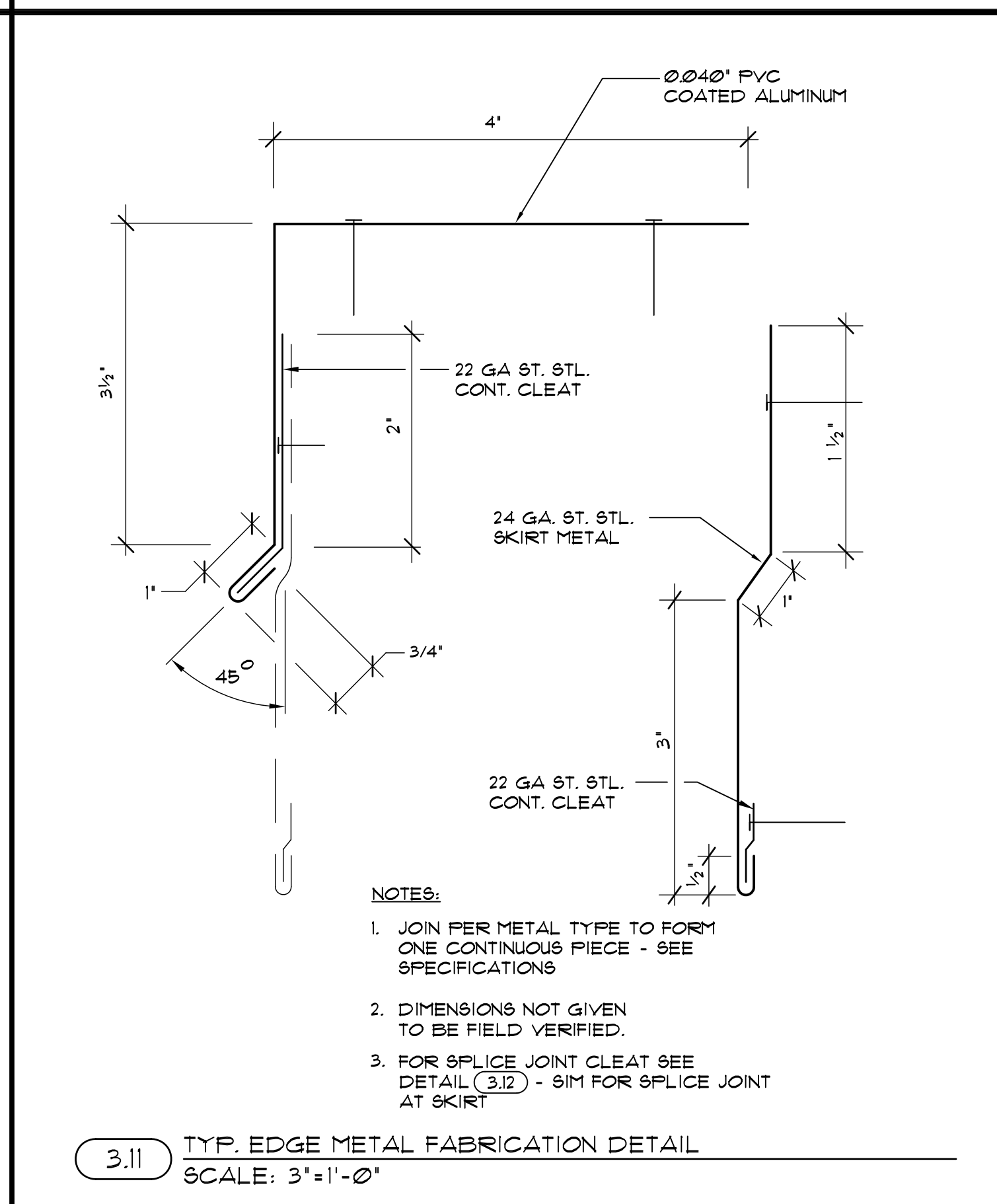
- NOTES:
1. SOLDER/WELD (AS PER METAL TYPE) ALL LAPS & CORNER INSERTS TO FORM ONE CONTINUOUS PIECE
 2. CLOSURE PIECE AT END CONDITION

3.03 TYP. SKIRT METAL CORNER FABRICATION
SCALE: 3"=1'-0"



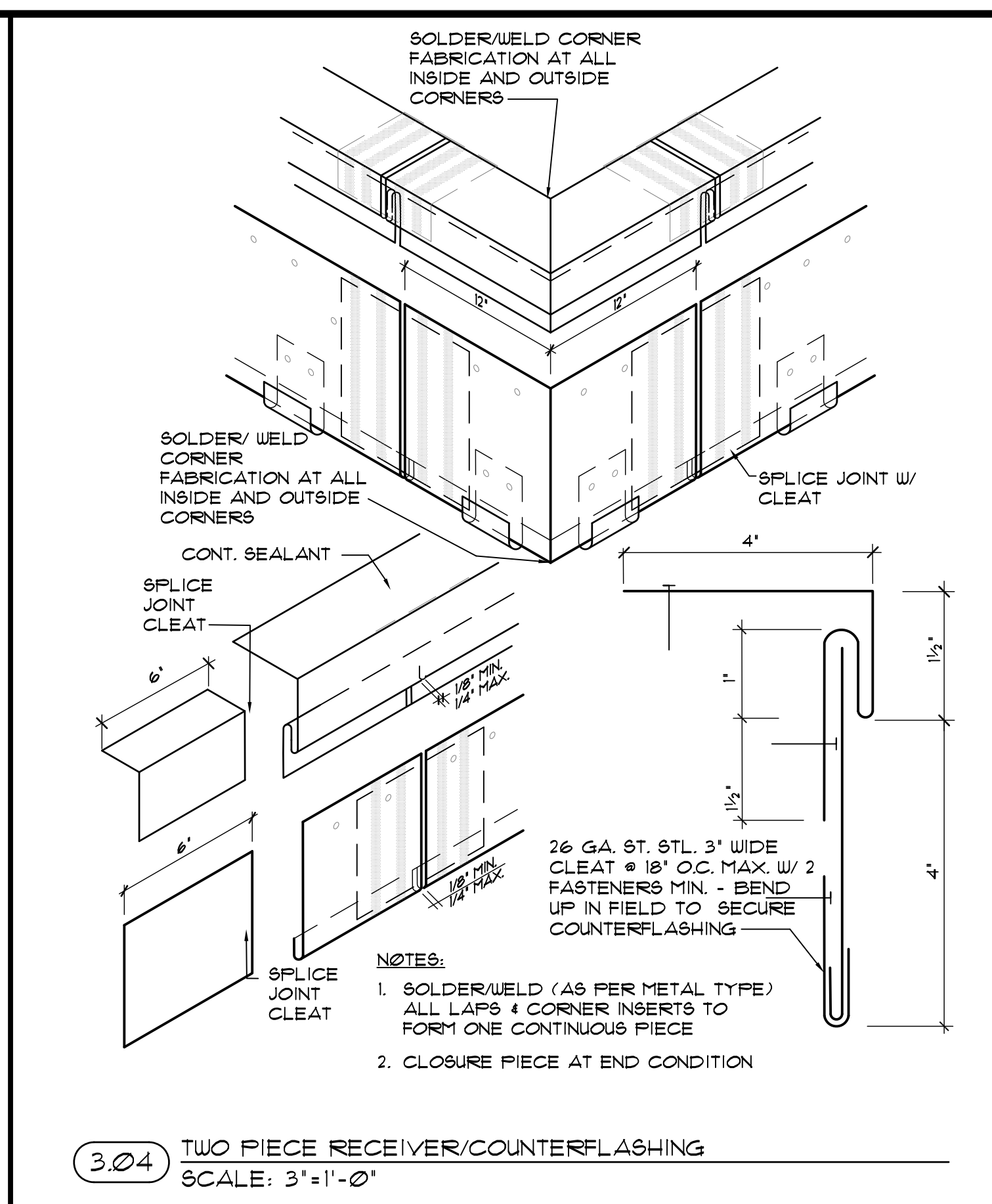
- NOTES:
1. SOLDER/WELD (AS PER METAL TYPE) ALL LAPS & CORNER INSERTS TO FORM ONE CONTINUOUS PIECE
 2. DIMENSIONS NOT GIVEN TO BE FIELD VERIFIED

3.07 INSIDE/OUTSIDE CORNER COPING FABRICATION
SCALE: 3"=1'-0"



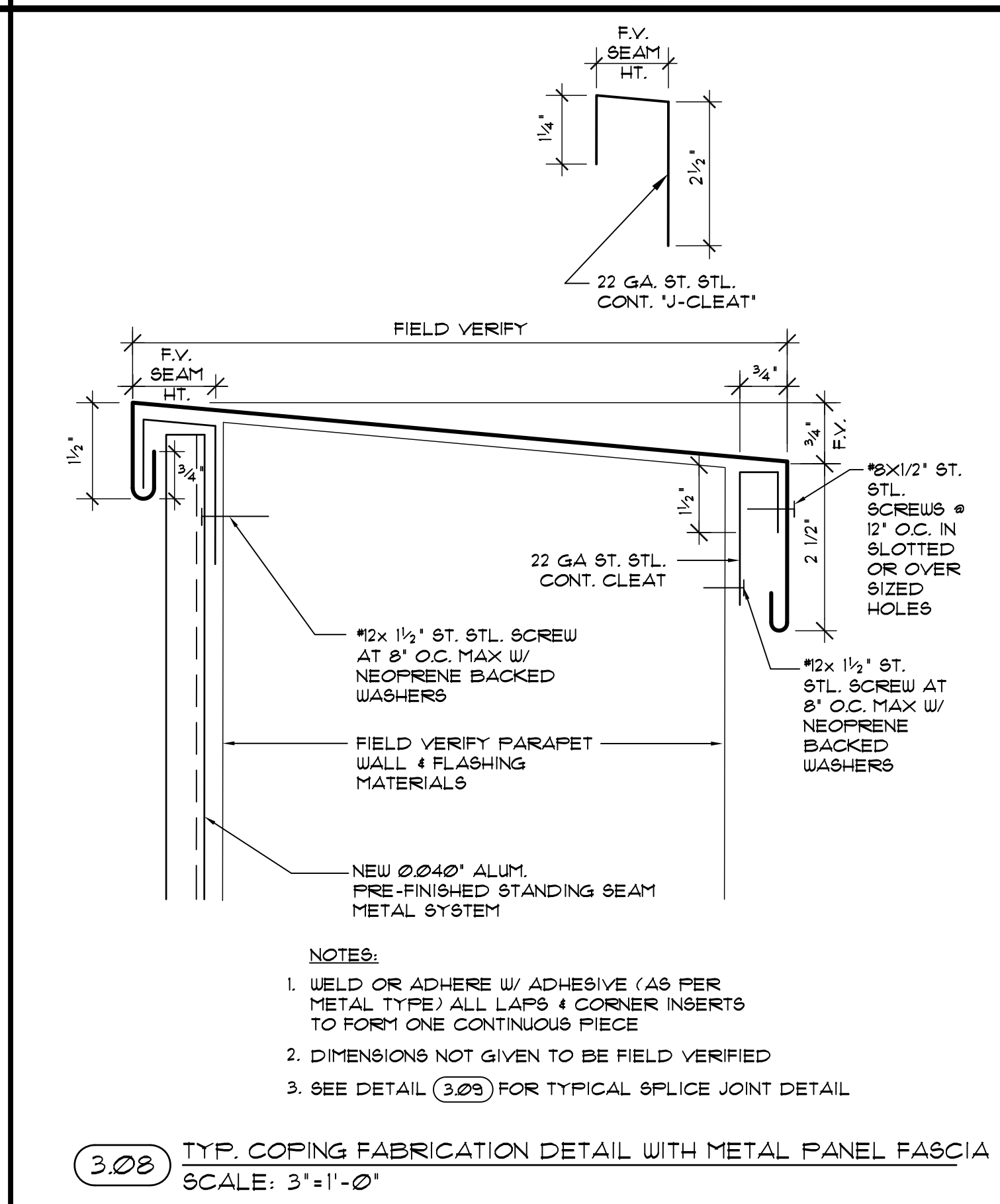
- NOTES:
1. JOIN PER METAL TYPE TO FORM ONE CONTINUOUS PIECE - SEE SPECIFICATIONS
 2. DIMENSIONS NOT GIVEN TO BE FIELD VERIFIED
 3. FOR SPLICE JOINT CLEAT SEE DETAIL (3.12) - SIM FOR SPLICE JOINT AT SKIRT

3.11 TYP. EDGE METAL FABRICATION DETAIL
SCALE: 3"=1'-0"



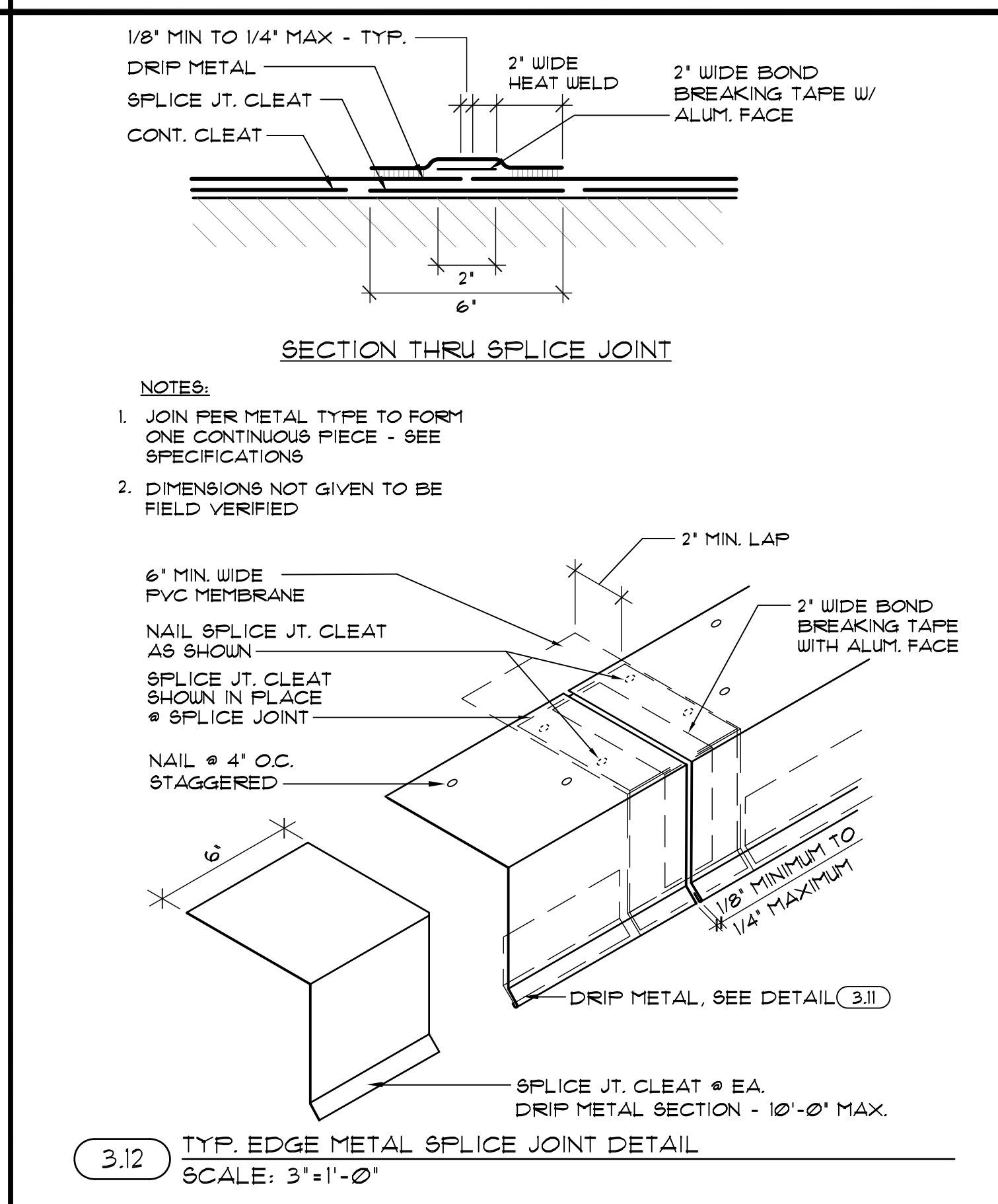
- NOTES:
1. SOLDER/WELD (AS PER METAL TYPE) ALL LAPS & CORNER INSERTS TO FORM ONE CONTINUOUS PIECE
 2. CLOSURE PIECE AT END CONDITION

3.04 TWO PIECE RECEIVER/COUNTERFLASHING
SCALE: 3"=1'-0"



- NOTES:
1. WELD OR ADHERE W/ ADHESIVE (AS PER METAL TYPE) ALL LAPS & CORNER INSERTS TO FORM ONE CONTINUOUS PIECE
 2. DIMENSIONS NOT GIVEN TO BE FIELD VERIFIED
 3. SEE DETAIL (3.05) FOR TYPICAL SPLICE JOINT DETAIL

3.08 TYP. COPING FABRICATION DETAIL WITH METAL PANEL FASCIA
SCALE: 3"=1'-0"



- NOTES:
1. JOIN PER METAL TYPE TO FORM ONE CONTINUOUS PIECE - SEE SPECIFICATIONS
 2. DIMENSIONS NOT GIVEN TO BE FIELD VERIFIED

3.12 TYP. EDGE METAL SPLICE JOINT DETAIL
SCALE: 3"=1'-0"

DETAILS NOTES

1. EXISTING STRUCTURAL CONCRETE DECK
2. EXIST. METAL STUD WALL
3. EXISTING METAL DECK
4. EXISTING PRECAST CONC. PANEL PARAPET
5. EXIST. RIGID INSULATION TO REMAIN
6. EXIST. SHEATHING TO REMAIN
7. EXISTING PENETRATION - EXTEND AS REQ'D TO PROVIDE MIN HEIGHT INDICATED
8. LIGHTWEIGHT INSULATION CONCRETE DECK
9. EXISTING MECHANICAL EQUIPMENT
10. EXISTING CURB TO REMAIN
11. EXISTING CONCRETE/CMU BLOCK WALL
14. PRELIMINARY ROOF
16. BATT INSULATION
17. NON-TAPERED RIGID INSULATION
18. TAPERED RIGID INSULATION
20. 1/2\"/>

21. SURFACE APPLIED TERMINATION BAR
22. TWO-PIECE SURFACE APPLIED COUNTERFLASHING - SEE REFERENCED DETAIL
23. SEALANT
24. FLASHING TAPE
25. CONTINUOUS CLEAT
35. SCUPPER & DOWNSPOUT CONNECTION - SEE REFERENCED DETAIL
36. NEW SCUPPER & CONDUCTOR HEAD W/ 2 BRACKETS - SEE REFERENCED DETAIL
41. P.T. WOOD BLOCKING TO BE FASTENED AT 12\"/>

42. 3/4\"/>
- 43. ROUND OFF THIS EDGE
- 44. NEW ROOF DRAIN - ADJUST ELEV. ABOVE DECK IN FIELD
- 45. EXISTING STRUCTURE
- 46. NEW OVERFLOW DRAIN
- 48. TAPERED RIGID INSULATION BOARD SUMP
- 53. 24 GA. ST. STL. SKIRT METAL
- 60. PARAPET COPING CAP - SEE REFERENCED DETAIL
- 61. METAL EDGE DETAIL - SEE DETAIL
- 67. VENTED BASE SHEET
- 70. FLEXIBLE SHEET FLASHING
- 71. FLEXIBLE SHEET MEMBRANE
- 133. EXISTING WOOD BLOCKING TO REMAIN. REPLACE WHERE DAMAGED OR DETERIORATED

A. HEAT WELD
 B. MFR APPROVED ADHESIVE
 C. FASTENER W/ STRESS PLATE
 D. MANUFACTURER'S APPROVED FLEECE REINFORCED LIQUID APPLIED FLASHING SYSTEM
 E. NEW ST. STL. FASTENER W/ NEOPRENE BACKED WASHER - BACK OUT EXIST. FASTENER AND REPLACE WITH ONE SIZE LARGER AT EXIST. LOCATIONS
 F. EXIST. METAL PANEL WALL SYS. TO REMAIN
 G. NEW UNDER DECK CLAMP
 H. DRAIN PIPE - INSTALL NEW AS REQ'D
 I. NEW STRAINER
 J. NEW CLAMPING RING
 K. NEW MFR'S STD. ADJUSTABLE HEIGHT COLLAR - ANCHOR TO DECK W/ 4-1/2\"/>

A/R/C Associates Incorporated
 Architecture
 Roof Consulting
 Construction Technology
 LIC. NBR AAC000932
 601 North Fern Creek Avenue
 Suite 100 Orlando, FL
 32805-4899
 Tel. (407) 896-7875
 Fax. (407) 898-6043
 COPYRIGHT © A/R/C ASSOCIATES, INC.

JAMES W. RIPLEY AR-0017780
 JOSEPH J. WILLIAMS AR-007984

| REVISIONS | | |
|-----------|------|-----|
| NO. | DATE | BY: |
| | | |

SGM ENGINEERING INC.
 MEP CONSULTING ENGINEERS
 935 Lake Baldwin Lane
 Orlando, FL 32814
 Tel. 407-767-5288
 Fax. 407-767-5772
 www.sgmengineering.com
 Copyright © 2014 SGM Engineering, Inc.

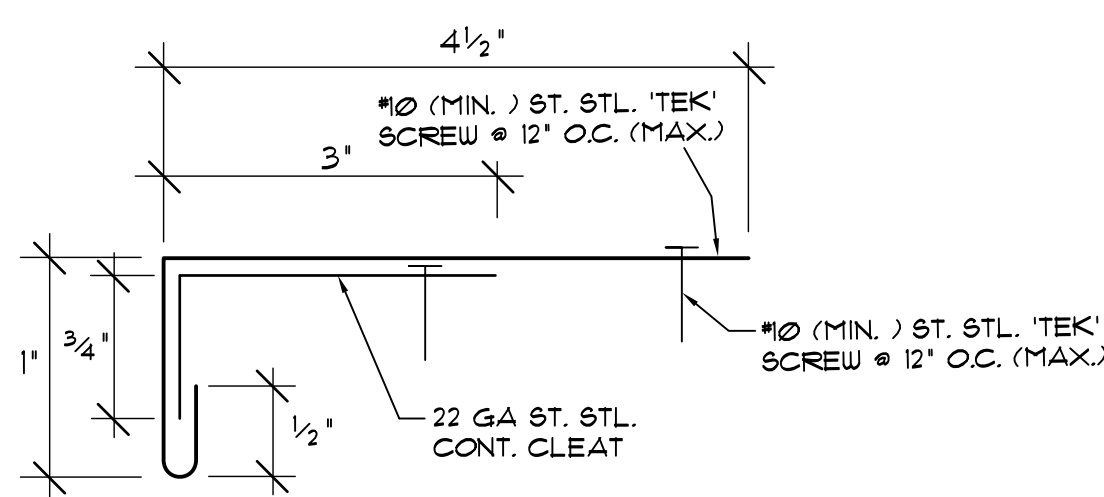
BASE ENGINEERING & CONSTRUCTION INC.
 1701 EAST GORHAM STREET
 ORLANDO, FLORIDA 32813
 P. 407-377-7277

DESIGNATED REPAIRS AND REPLACEMENT OF
OCCC WEST BLDG ROOF REPLACEMENT
ORANGE COUNTY CONVENTION CENTER
 9800 INTERNATIONAL DRIVE, ORLANDO, FL 32819

JOB NO.: 16032.00
 DRAWN BY: TAH
 CHECKED BY: JJW
 DATE: 05-08-2017
 SCALE: NTS
 PLOT SCALE:

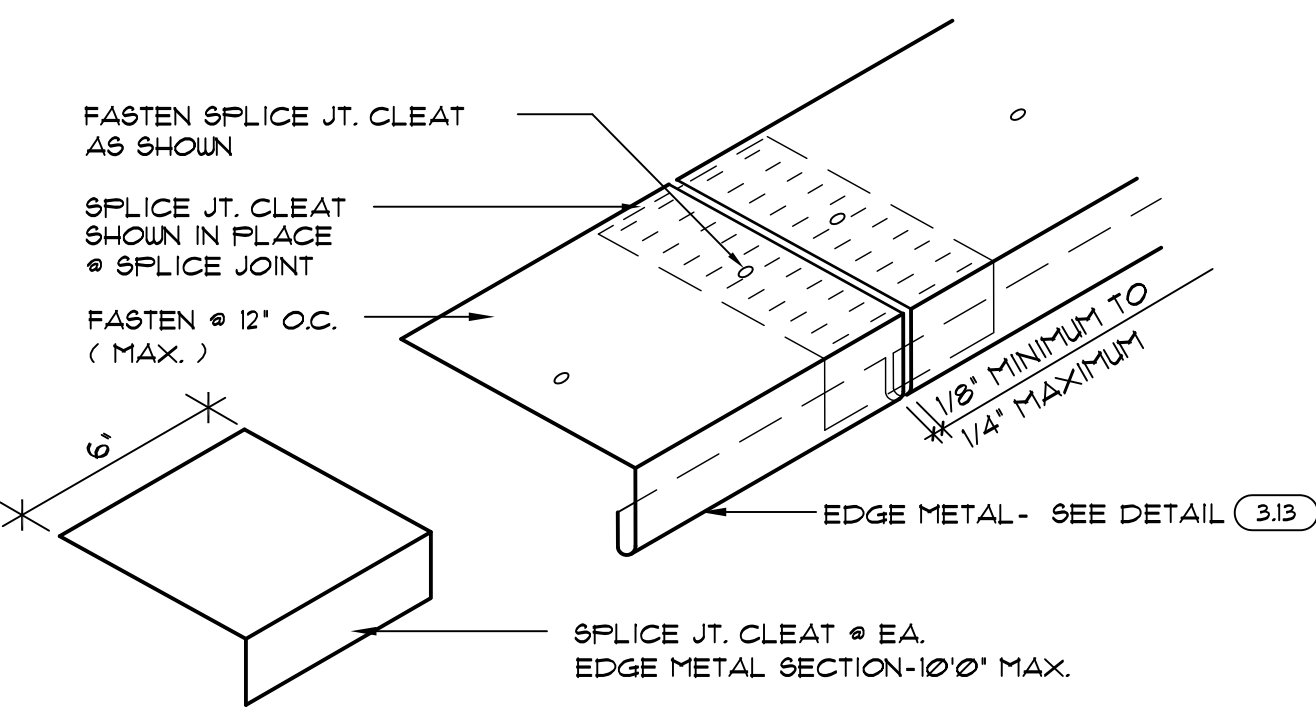
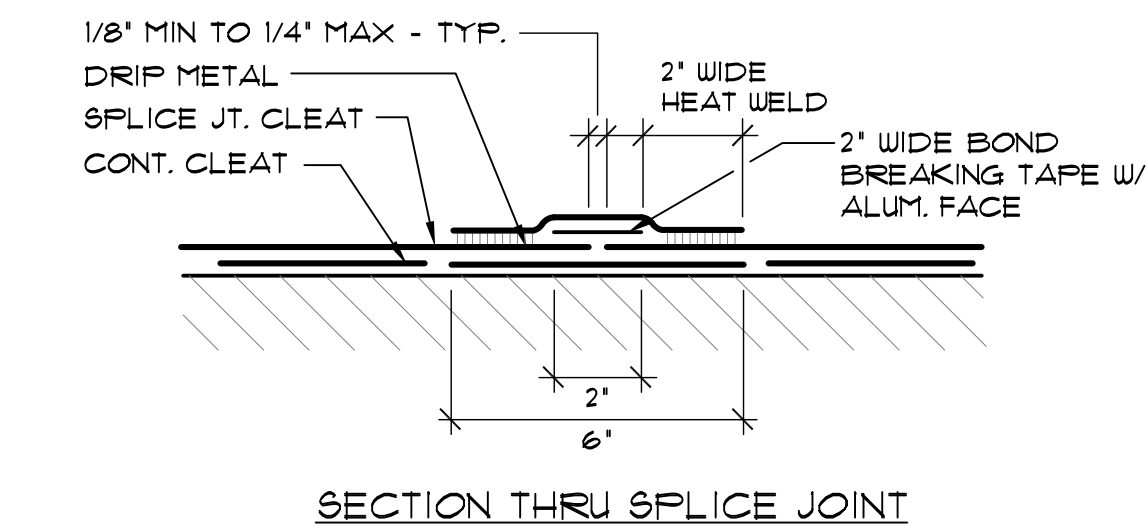
R301
 SHEET NO.: 39 OF 105 SHEET(S)

DETAILS 3.01 THRU 3.12

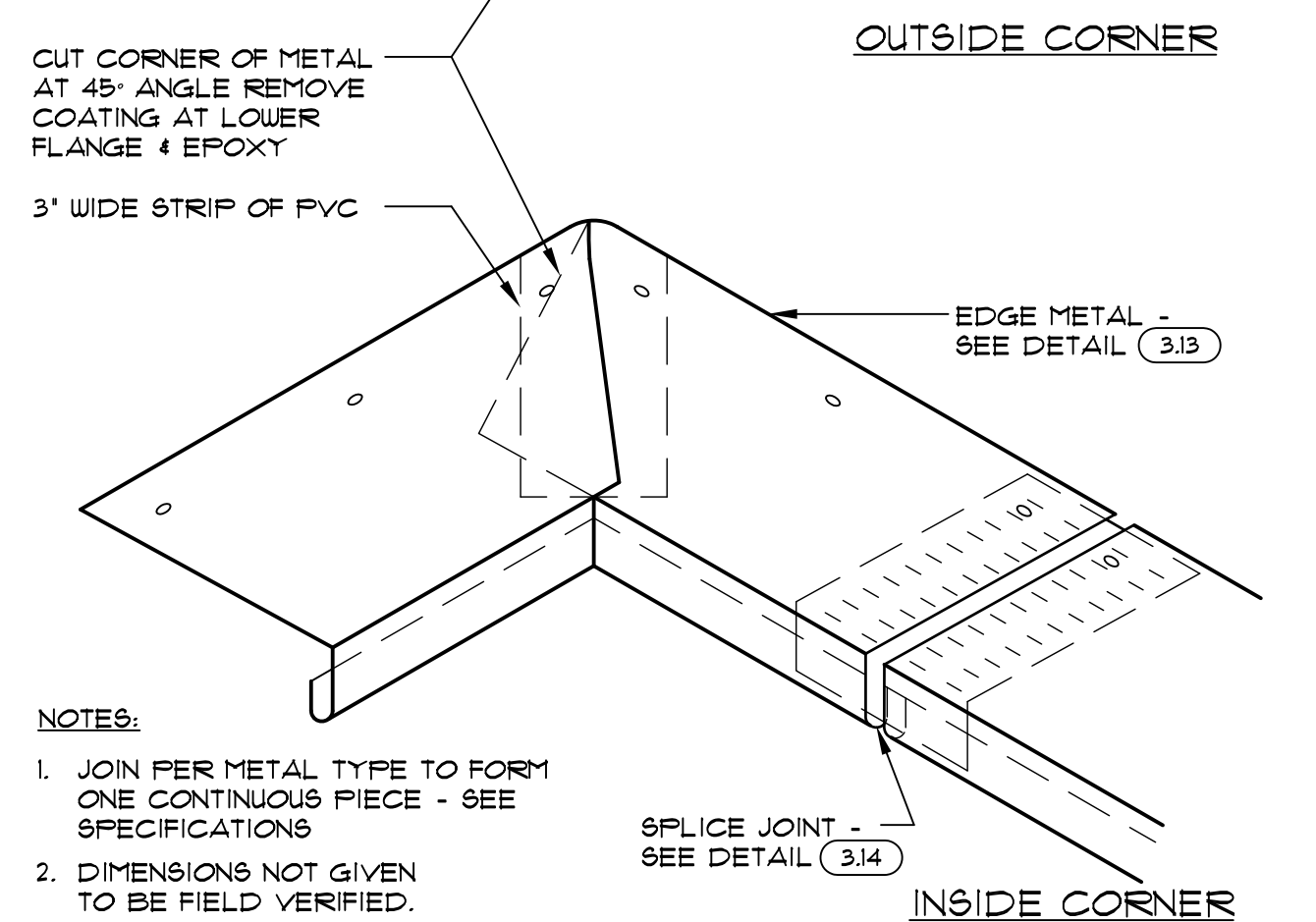
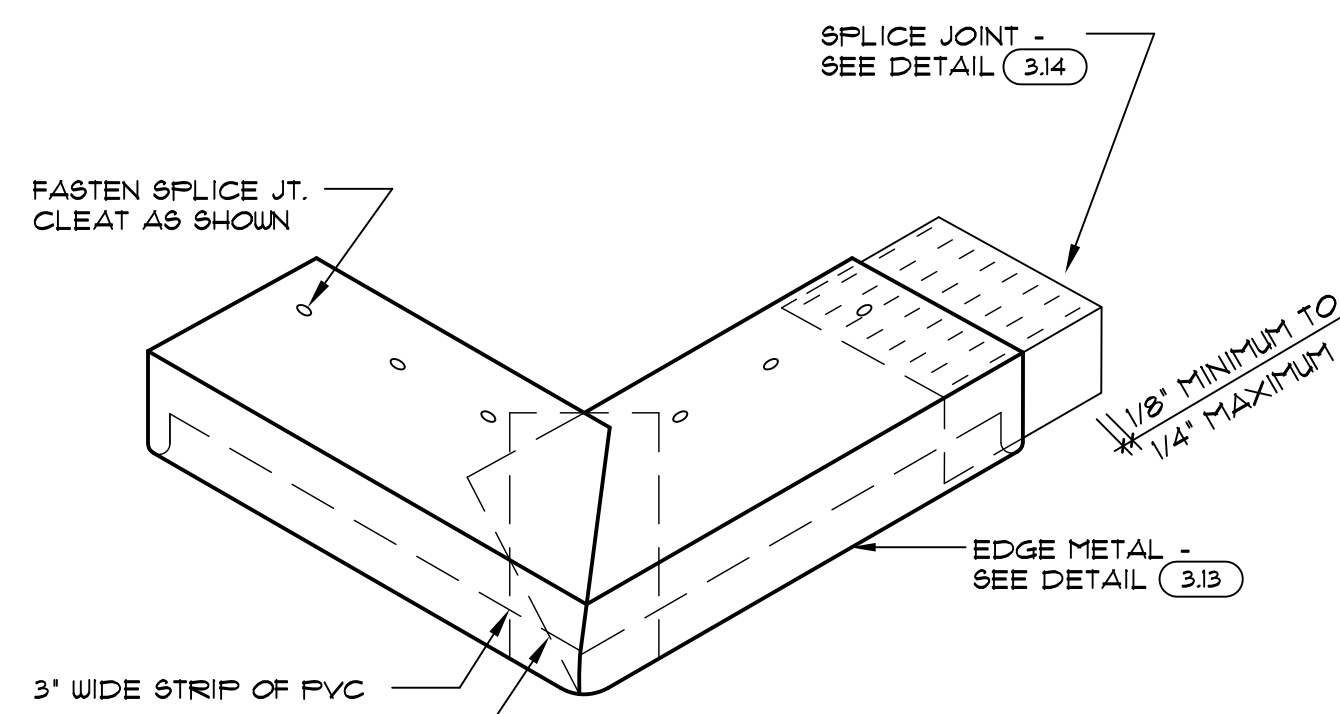


- NOTES:
1. JOIN PER METAL TYPE TO FORM ONE CONTINUOUS PIECE - SEE SPECIFICATIONS
 2. DIMENSIONS NOT GIVEN TO BE FIELD VERIFIED
 3. FOR SPLICE JOINT CLEAT SEE DETAIL (3.14) - SIM FOR SPLICE JOINT AT SKIRT

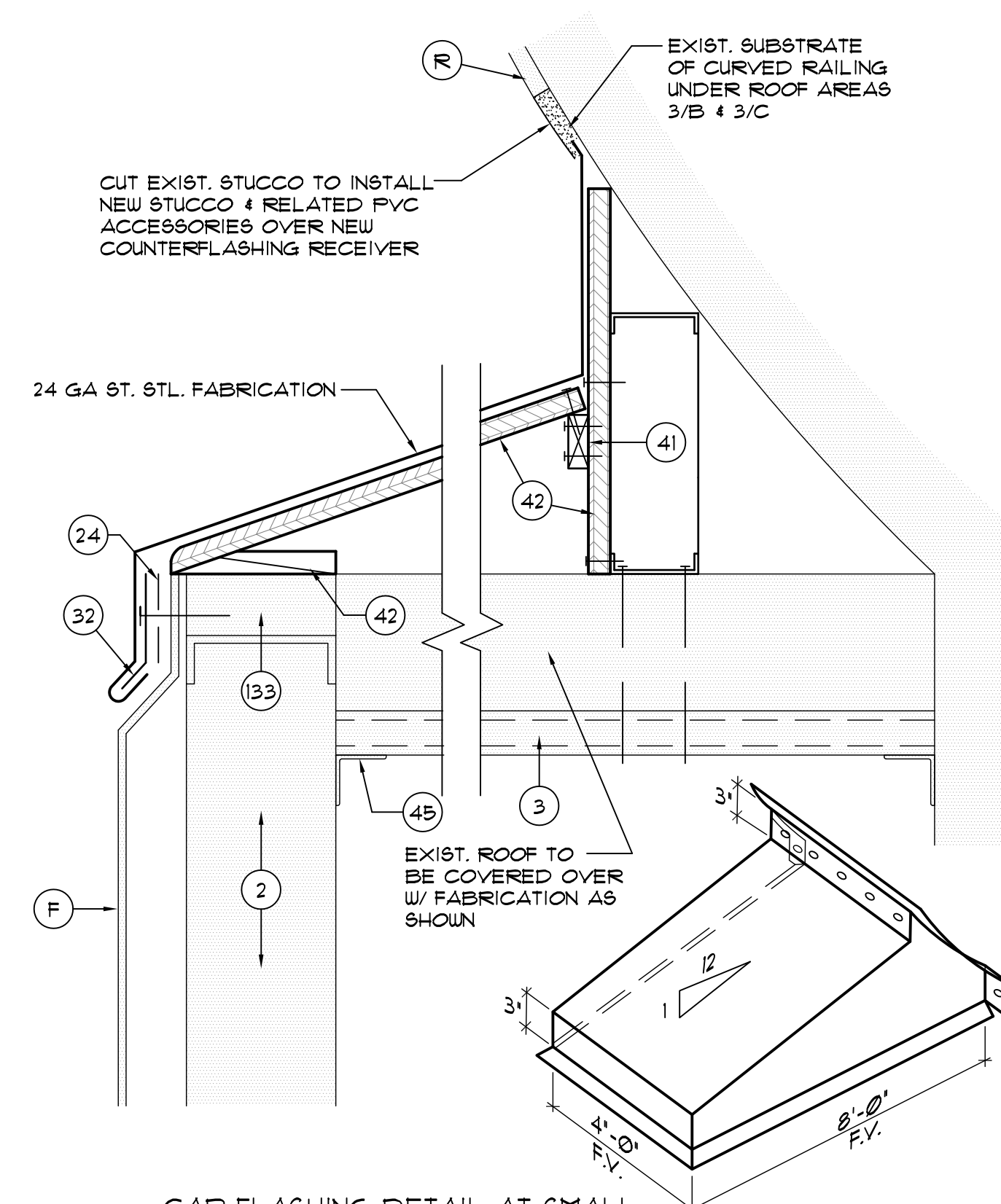
3.13 TYP. FLAT EDGE METAL FABRICATION DETAIL
SCALE: 3"=1'-0"



3.14 TYP. FLAT EDGE SPLICE JOINT DETAIL
SCALE: 3"=1'-0"



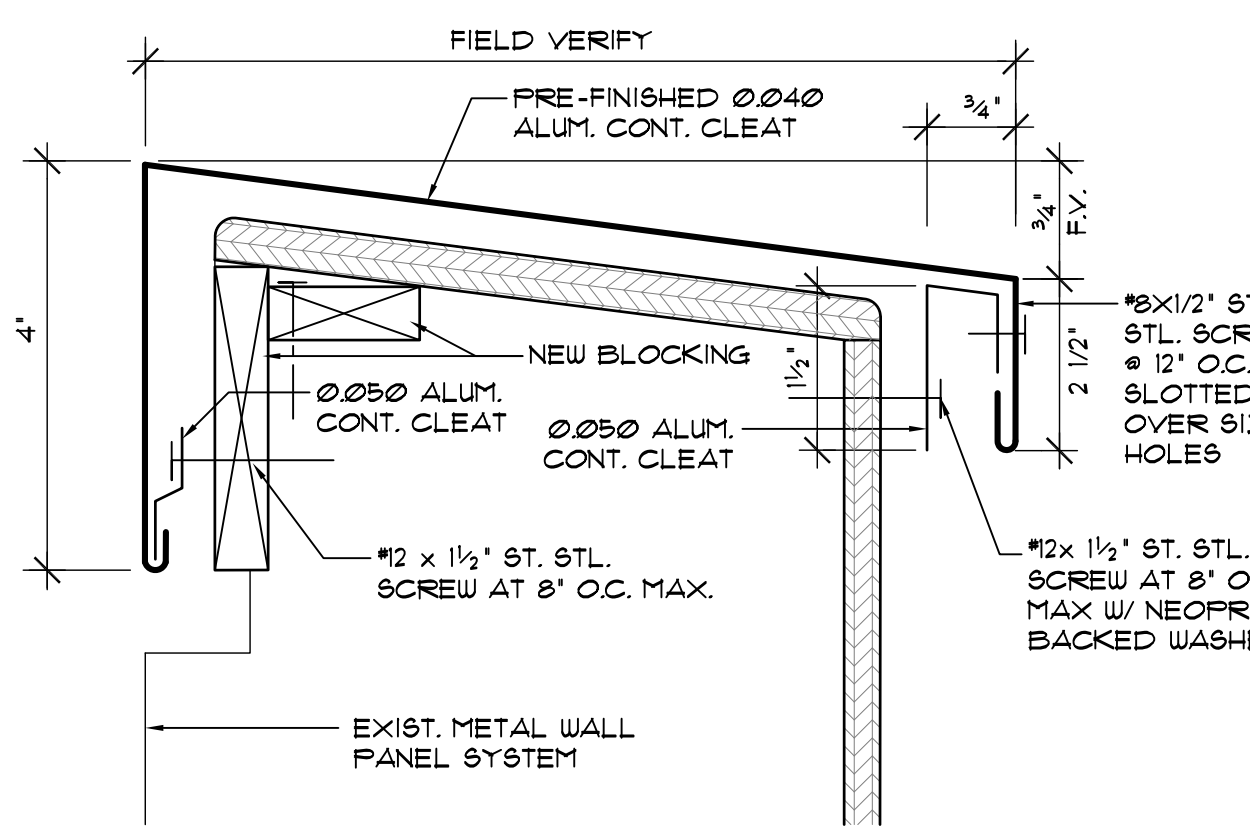
3.15 TYP. FLAT EDGE METAL CORNER FABRICATION DETAIL
SCALE: 3"=1'-0"



3.16 CAP FLASHING DETAIL AT SMALL ROOF IN SECTOR 3
SCALE: 3"=1'-0"

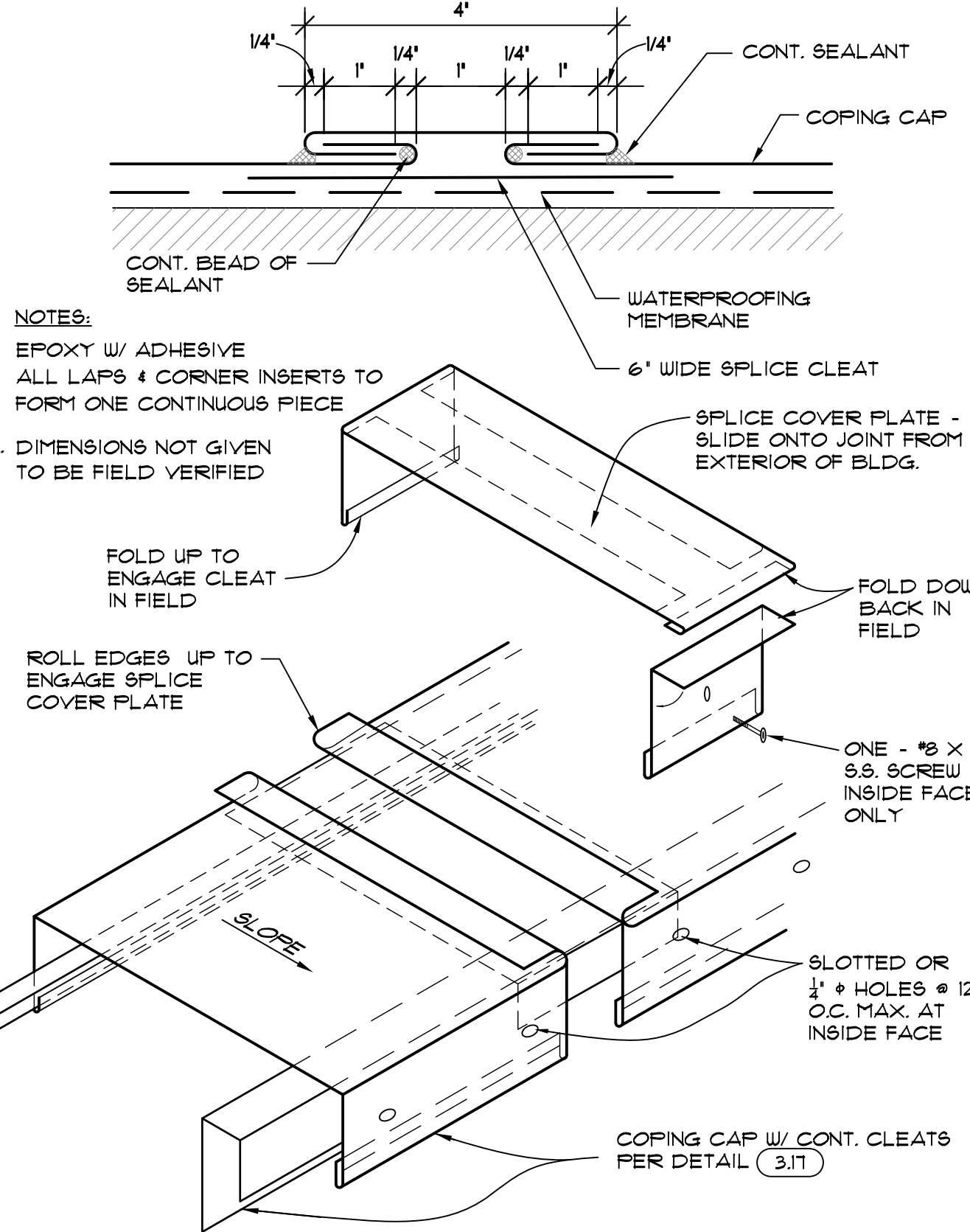
DETAILS NOTES

1. EXISTING STRUCTURAL CONCRETE DECK
 2. EXIST. METAL STUD WALL
 3. EXISTING METAL DECK
 4. EXISTING PRECAST CONC. PANEL PARAPET
 5. EXIST. RIGID INSULATION TO REMAIN
 6. EXIST. SHEATHING TO REMAIN
 7. EXISTING PENETRATION - EXTEND AS REQ'D TO PROVIDE MIN HEIGHT INDICATED
 8. LIGHTWEIGHT INSULATION CONCRETE DECK
 9. EXISTING MECHANICAL EQUIPMENT
 10. EXISTING CURB TO REMAIN
 11. EXISTING CONCRETE/CMU BLOCK WALL
 14. PRELIMINARY ROOF
 16. BATT INSULATION
 17. NON-TAPERED RIGID INSULATION
 18. TAPERED RIGID INSULATION
 20. 1/2\"/>
 - 21. SURFACE APPLIED TERMINATION BAR
 - 22. TWO-PIECE SURFACE APPLIED COUNTERFLASHING - SEE REFERENCED DETAIL
 - 23. SEALANT
 - 24. FLASHING TAPE
 - 32. CONTINUOUS CLEAT
 - 35. SCUPPER 4 DOWNSPOUT CONNECTION - SEE REFERENCED DETAIL
 - 36. NEW SCUPPER 4 CONDUCTOR HEAD W/ 2 BRACKETS - SEE REFERENCED DETAIL
 - 37. NEW SCUPPER - SEE REFERENCED DETAIL
 - 41. P.T. WOOD BLOCKING TO BE FASTENED AT 12\"/>
 - 42. 1/4\"/>
 - 43. ROUND OFF THIS EDGE
 - 44. NEW ROOF DRAIN - ADJUST ELEV. ABOVE DECK IN FIELD
 - 45. EXISTING STRUCTURE
 - 46. NEW OVERFLOW DRAIN
 - 48. TAPERED RIGID INSULATION BOARD SUMP
 - 53. 24 GA ST. SKIRT METAL
 - 60. PARAPET COPING CAP - SEE REFERENCED DETAIL
 - 61. METAL EDGE DETAIL - SEE DETAIL
 - 70. VENTED BASE SHEET
 - 70. FLEXIBLE SHEET FLASHING
 - 71. FLEXIBLE SHEET MEMBRANE
 - 133. EXISTING WOOD BLOCKING TO REMAIN. REPLACE WHERE DAMAGED OR DETERIORATED
- A. HEAT WELD
 B. MFR APPROVED ADHESIVE
 C. FASTENER W/ STRESS PLATE
 D. MANUFACTURER'S APPROVED FLEECE REINFORCED LIQUID APPLIED FLASHING SYSTEM
 E. NEW ST. ST. FASTENER W/ NEOPRENE BACKED WASHER - BACK OUT EXIST. FASTENER AND REPLACE WITH ONE SIZE LARGER AT EXIST. LOCATIONS
 F. EXIST. METAL PANEL WALL SYS. TO REMAIN
 G. NEW UNDER DECK CLAMP
 H. DRAIN PIPE - INSTALL NEW AS REQ'D
 J. NEW STRAINER
 K. NEW CLAMPING RING
 L. NEW MFR'S STD. ADJUSTABLE HEIGHT COLLAR - ANCHOR TO DECK W/ 4-1/2\"/>

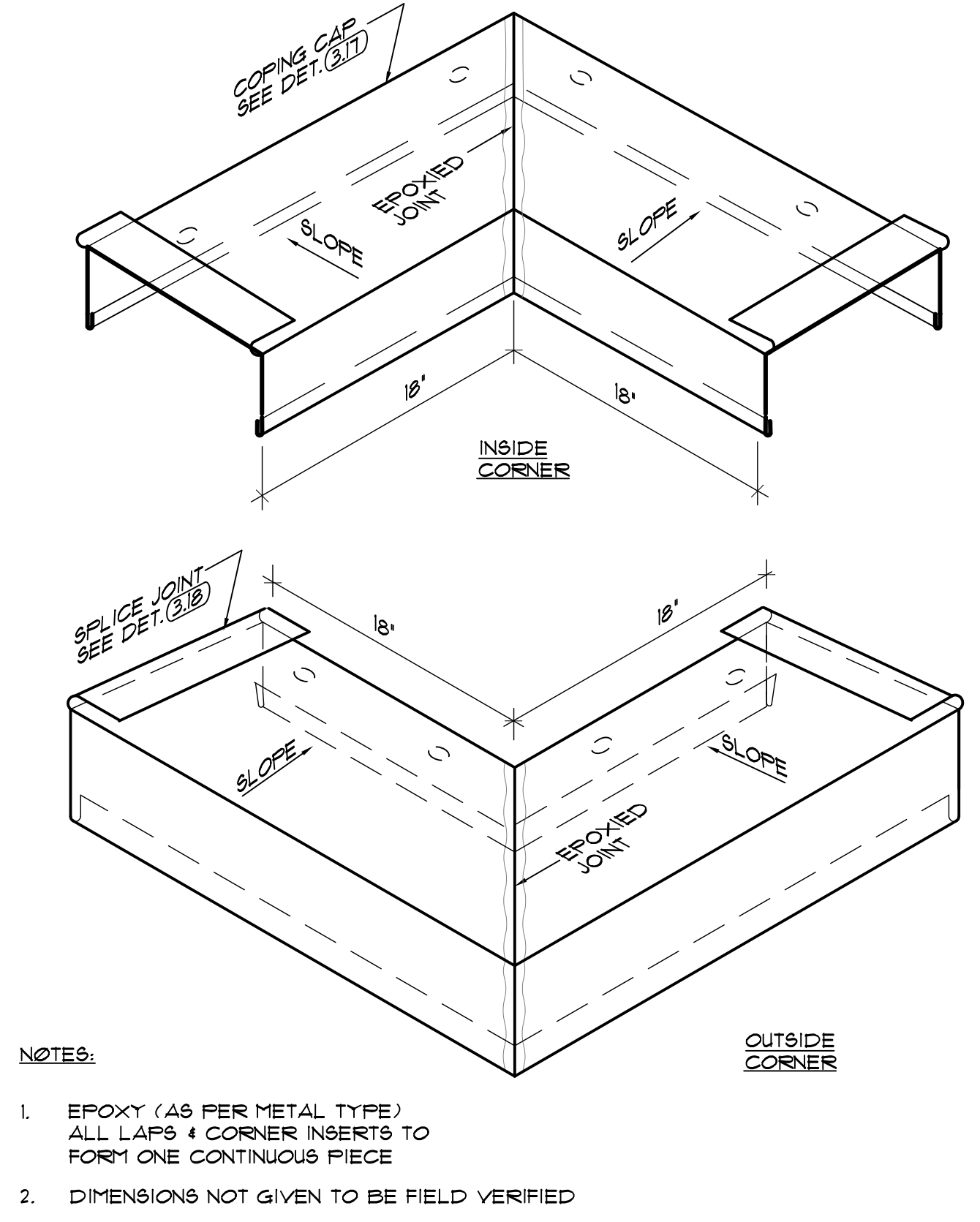


- NOTES:
1. EPOXY (AS PER METAL TYPE) ALL LAPS 4 CORNER INSERTS TO FORM ONE CONTINUOUS PIECE
 2. DIMENSIONS NOT GIVEN TO BE FIELD VERIFIED
 3. SEE DETAIL (3.15) FOR TYPICAL SPLICE JOINT DETAIL

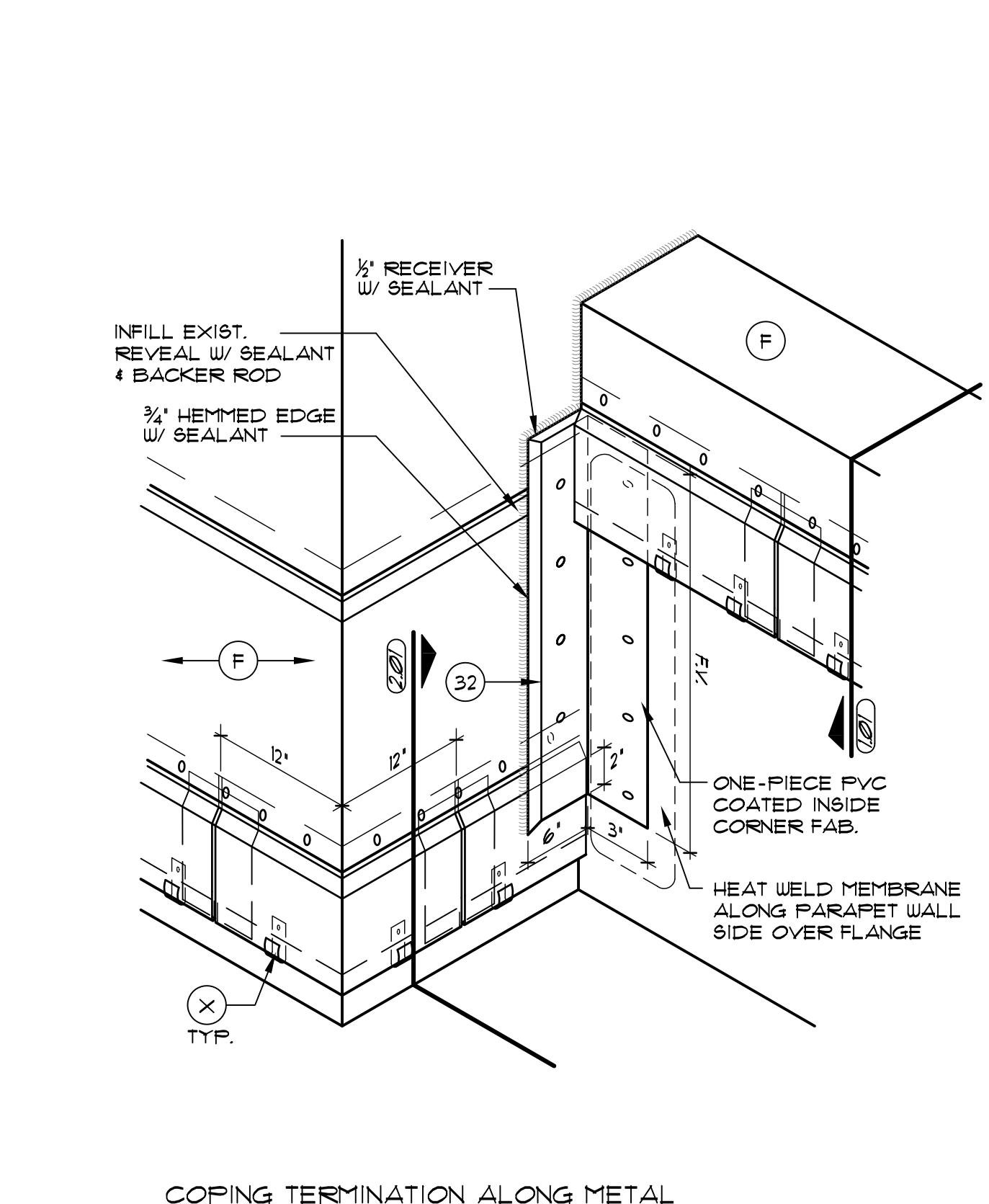
3.17 TYP. PARAPET COPING CAP FABRICATION DETAIL AT SECTOR 1
SCALE: 3"=1'-0"



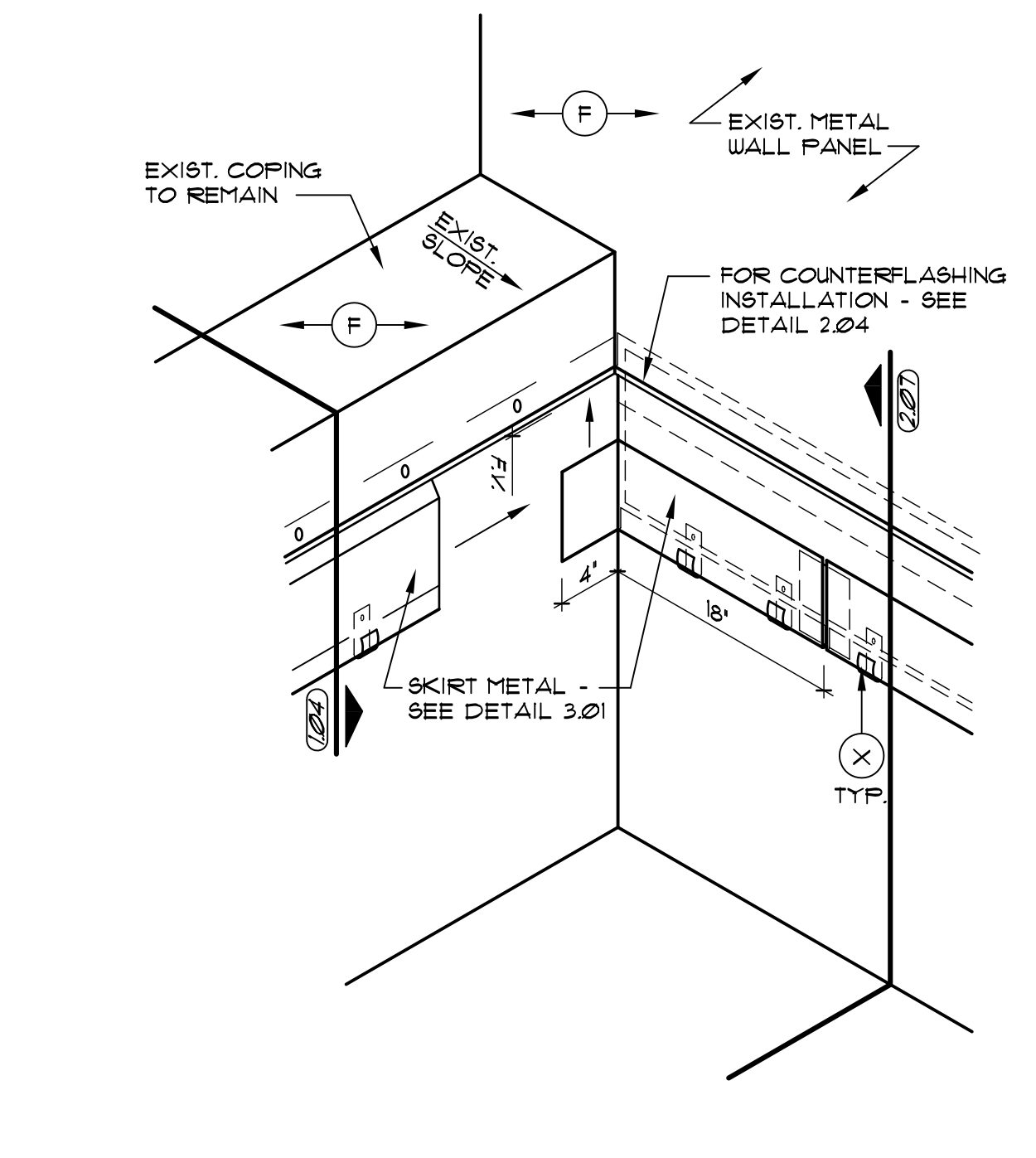
3.18 TYP. COPING CAP SPLICE JOINT AND COVER DETAIL AT SECTOR 1
SCALE: 3"=1'-0"



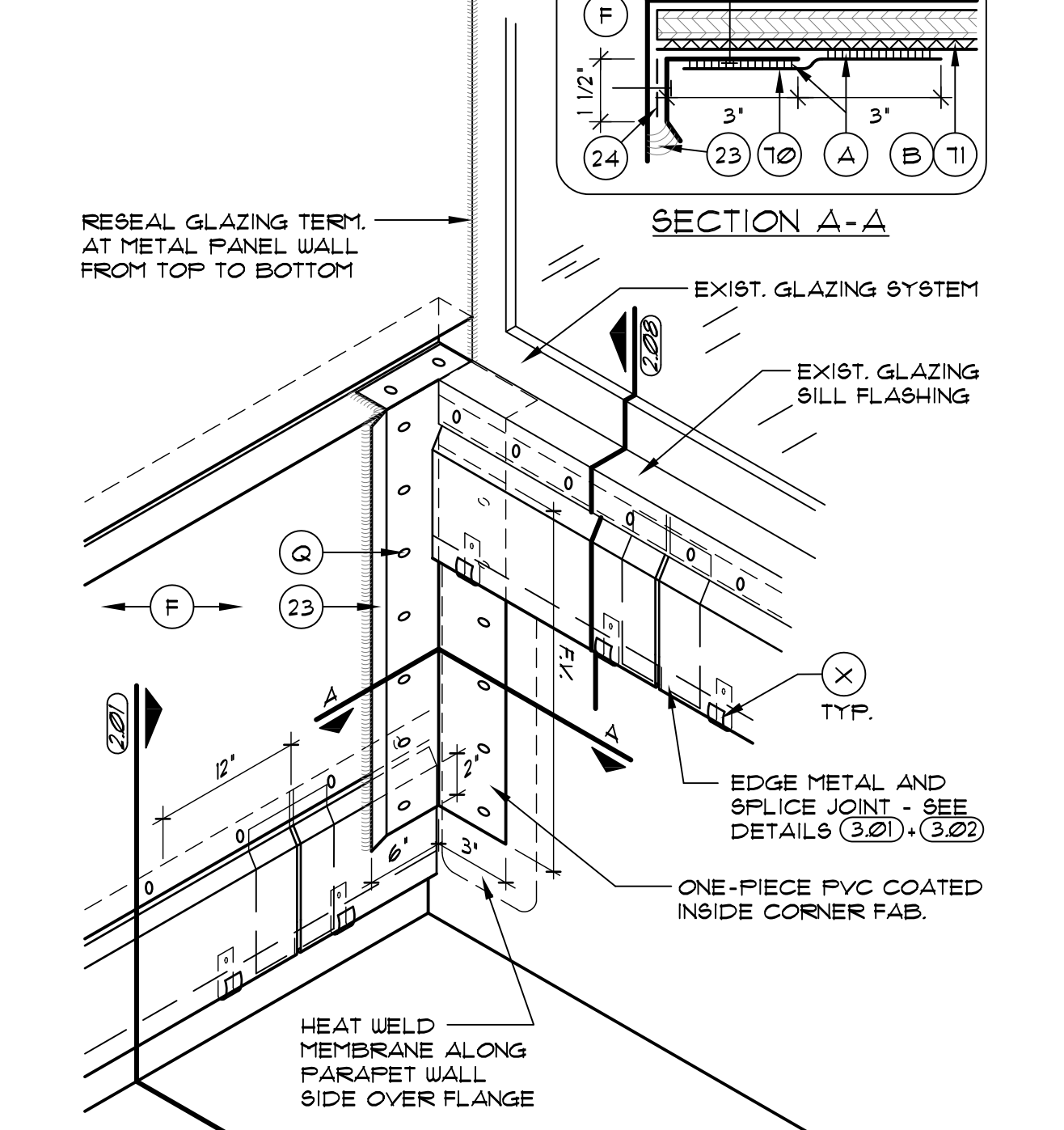
3.19 INSIDE/OUTSIDE CORNER COPING FABRICATION
SCALE: 3"=1'-0"



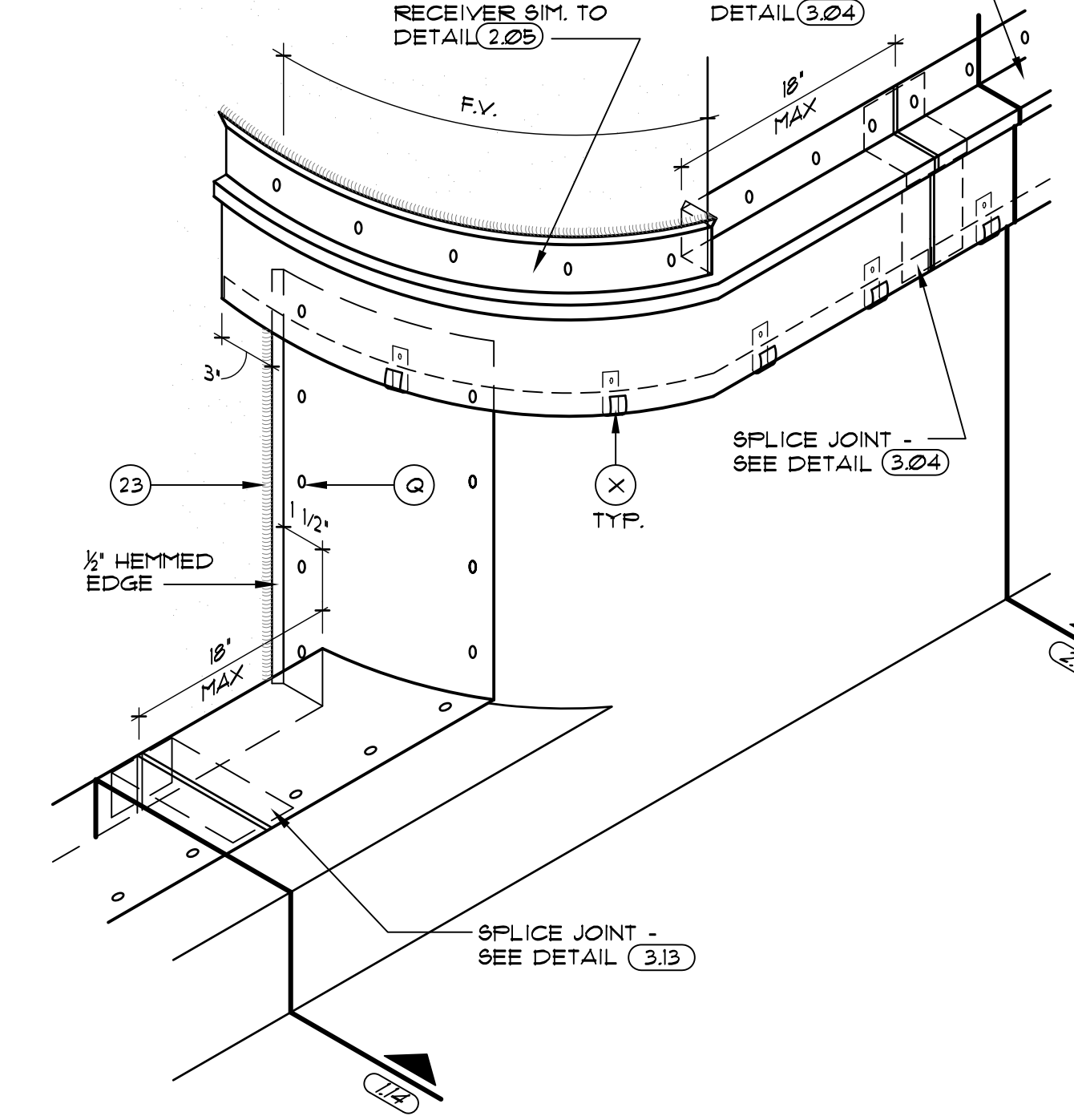
3.20 COPING TERMINATION ALONG METAL PANEL AT INSIDE WALL CORNER DETAIL
SCALE: 3"=1'-0"



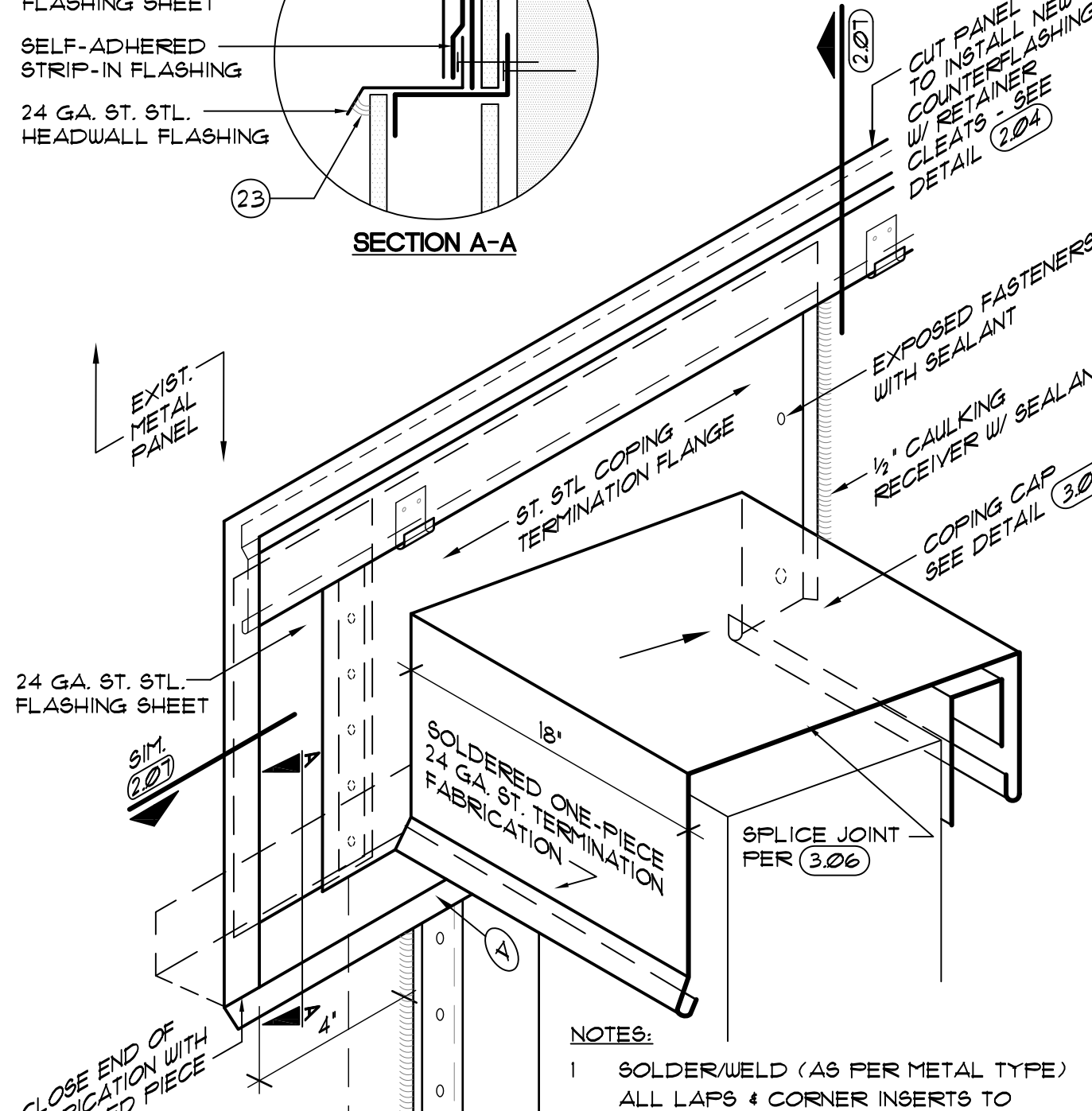
3.21 INSIDE CORNER COPING TERMINATION AT WALL - ROOF AREA 3/G
SCALE: 3"=1'-0"



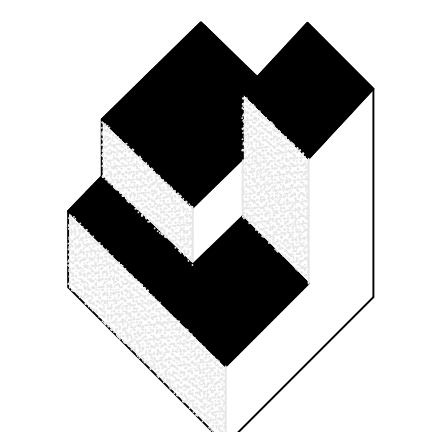
3.22 COUNTERFLASHING TRANSITION AT EXIST. GLAZING AT SECTOR 3
SCALE: 3"=1'-0"



3.23 EDGE METAL TERMINATION DETAIL AT ROOF 4/E
SCALE: 3"=1'-0"



3.24 COPING CAP TERMINATION AT METAL PANEL WALL
SCALE: 3"=1'-0"



A/R/C Associates Incorporated

Architecture
 Roof Consulting
 Construction Technology
 LIC. NBR AAC000932
 601 North Fern Creek Avenue
 Suite 100 Orlando, FL
 32803-4899
 Tel. (407) 896-7875
 Fax. (407) 898-6043
 COPYRIGHT © A/R/C ASSOCIATES, INC.

JAMES W. HUFFLEY AR-0018780
 JOSEPH J. WILLIAMS AR-007984

REVISIONS

| NO. | DATE | BY: |
|-----|------|-----|
| | | |



SGM ENGINEERING
 MECHANICAL CONSULTING ENGINEERS
 935 Lake Baldwin Lane
 Orlando, FL 32814
 Tel. 407-767-5188
 Fax. 407-767-5772
 www.sgmengineering.com
 Copyright © 2014 SGM Engineering, Inc.



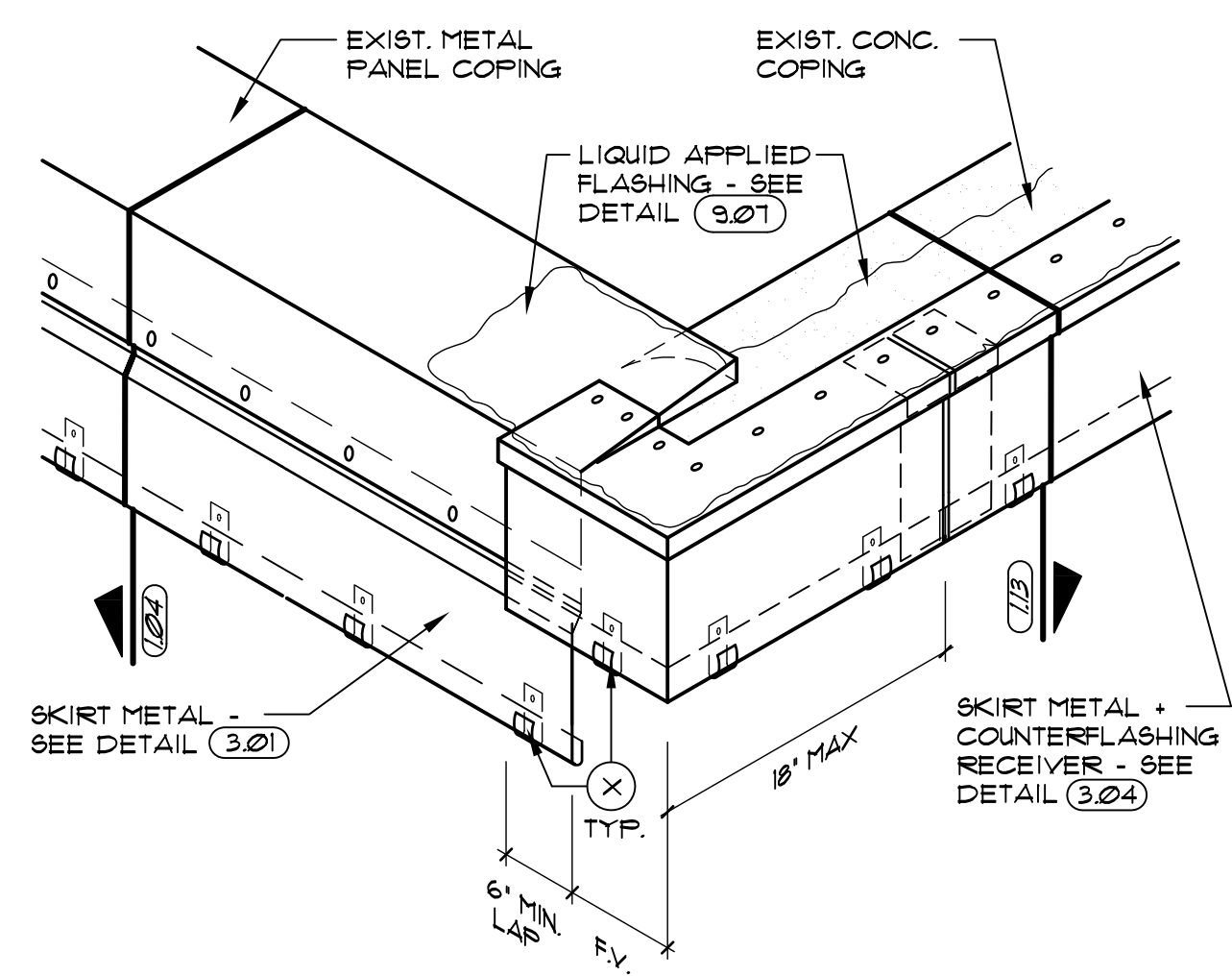
BASE ENGINEERING CONSULTANTS
 1700 EAST GORHAM STREET
 ORLANDO, FLORIDA 32837
 P. 407-377-7277

DESIGNATED REPAIRS AND REPLACEMENT OF
OCCC WEST BLDG ROOF REPLACEMENT
ORANGE COUNTY CONVENTION CENTER
9800 INTERNATIONAL DRIVE, ORLANDO, FL 32819

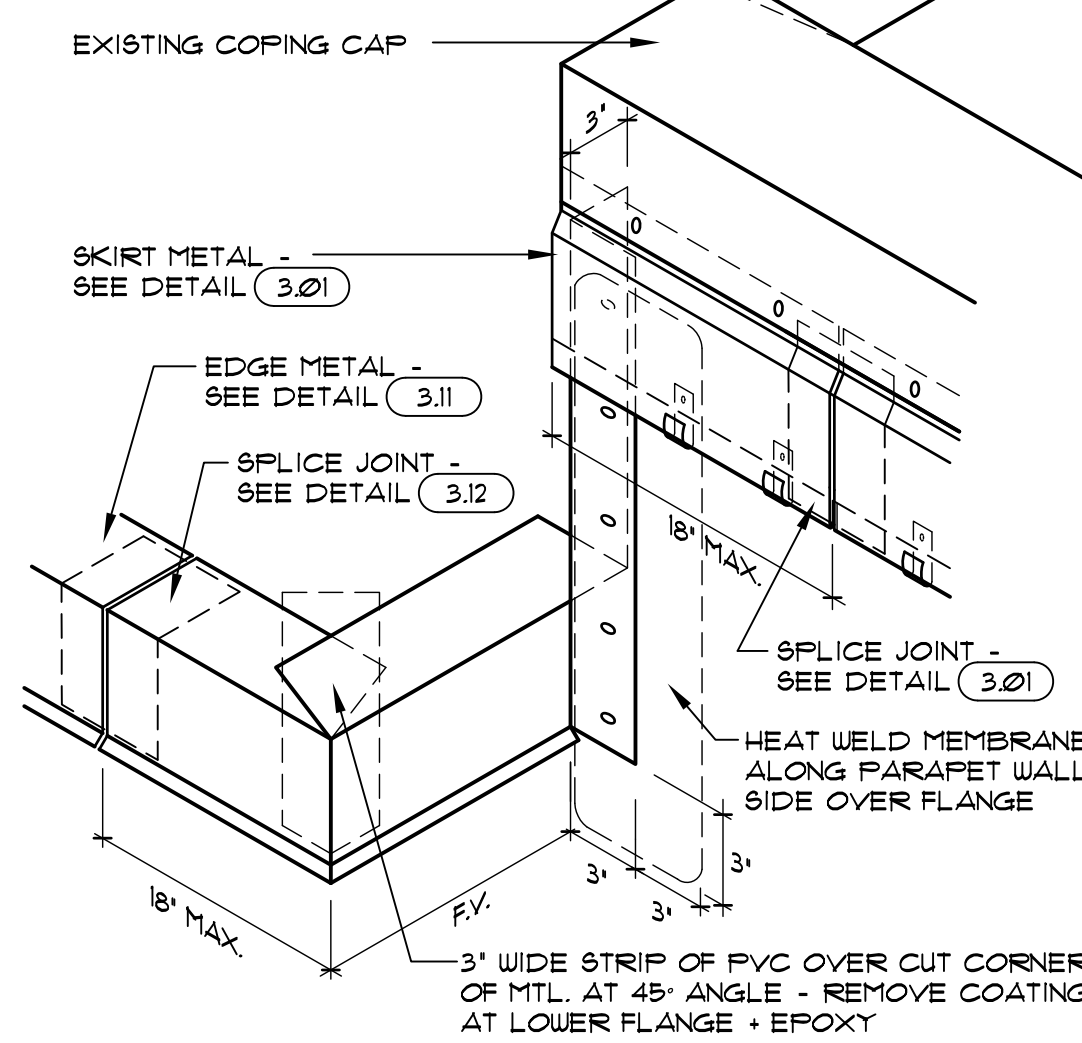
JOB NO.: 16032.00
 DRAWN BY: TAH
 CHECKED BY: JJW
 DATE: 05-08-2017
 SCALE: NTS
 PLOT SCALE:

R302
 SHEET NO.:
 40 OF 105 SHEET(S)

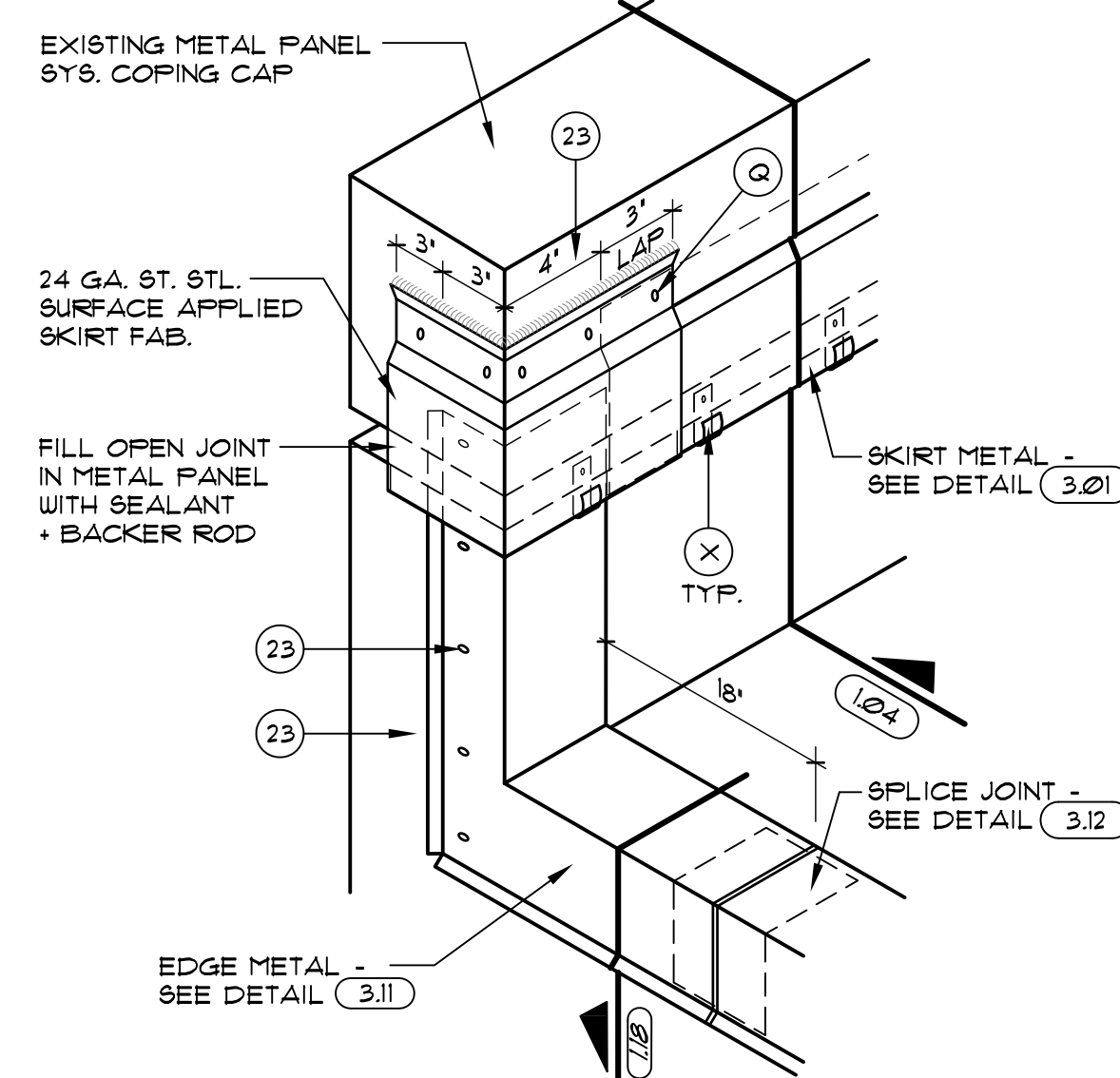
DETAILS 3.13 THRU 3.24



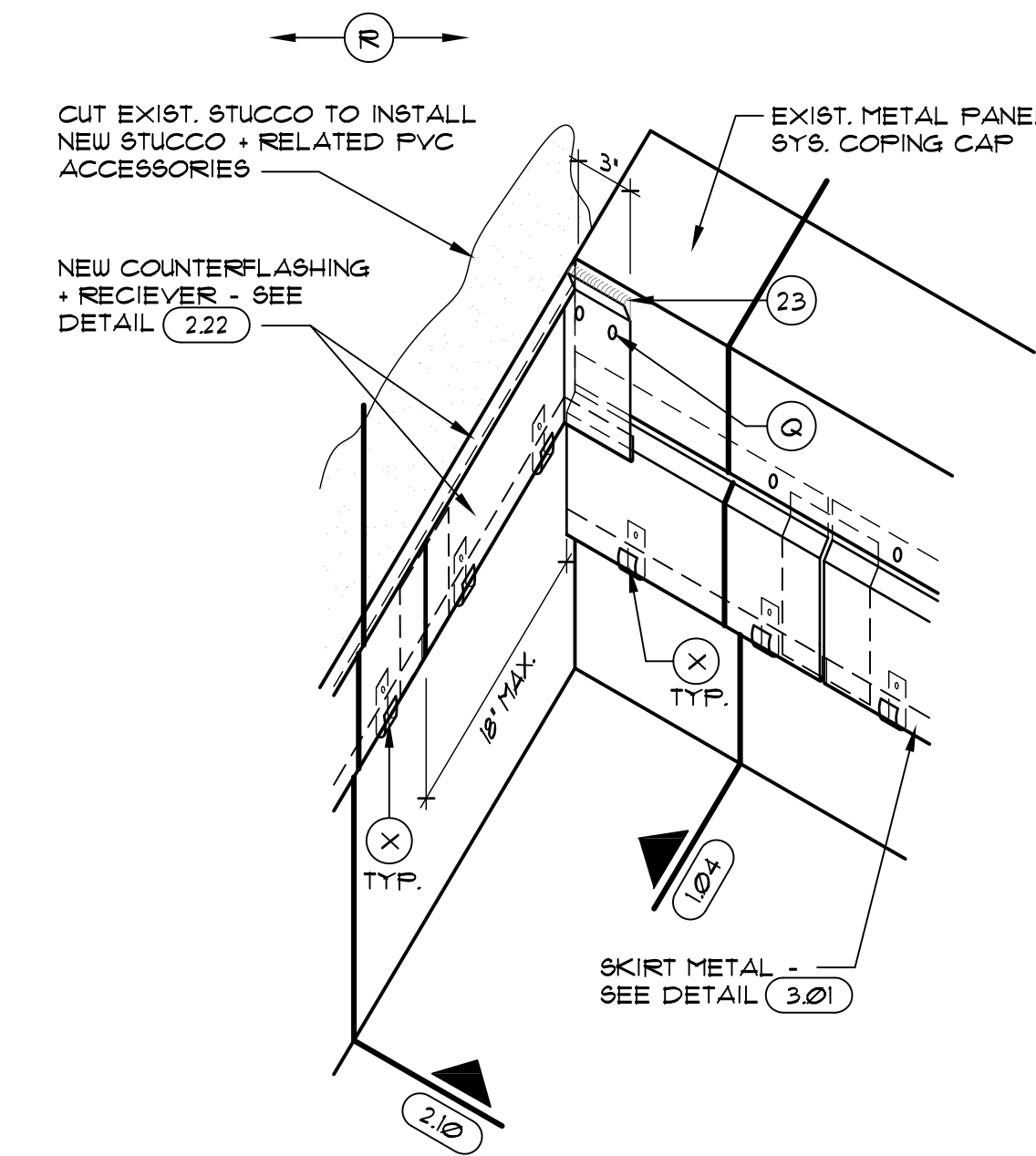
3.25 CORNER TRANSITION FABRICATION AT SECTOR 5
SCALE: 3/4"=1'-0"



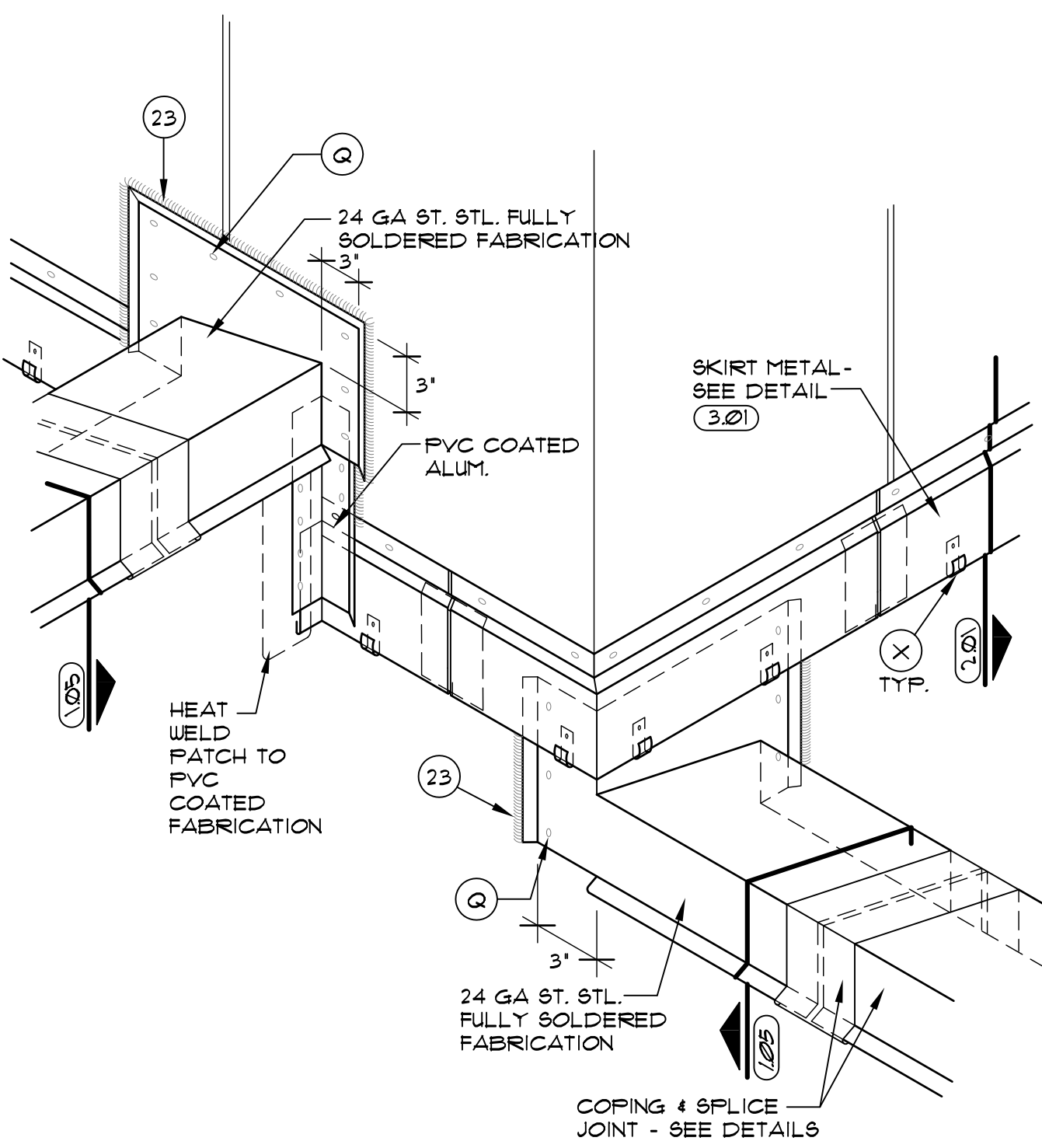
3.26 CORNER TERMINATION DETAIL AT SECTOR 5
SCALE: 3/4"=1'-0"



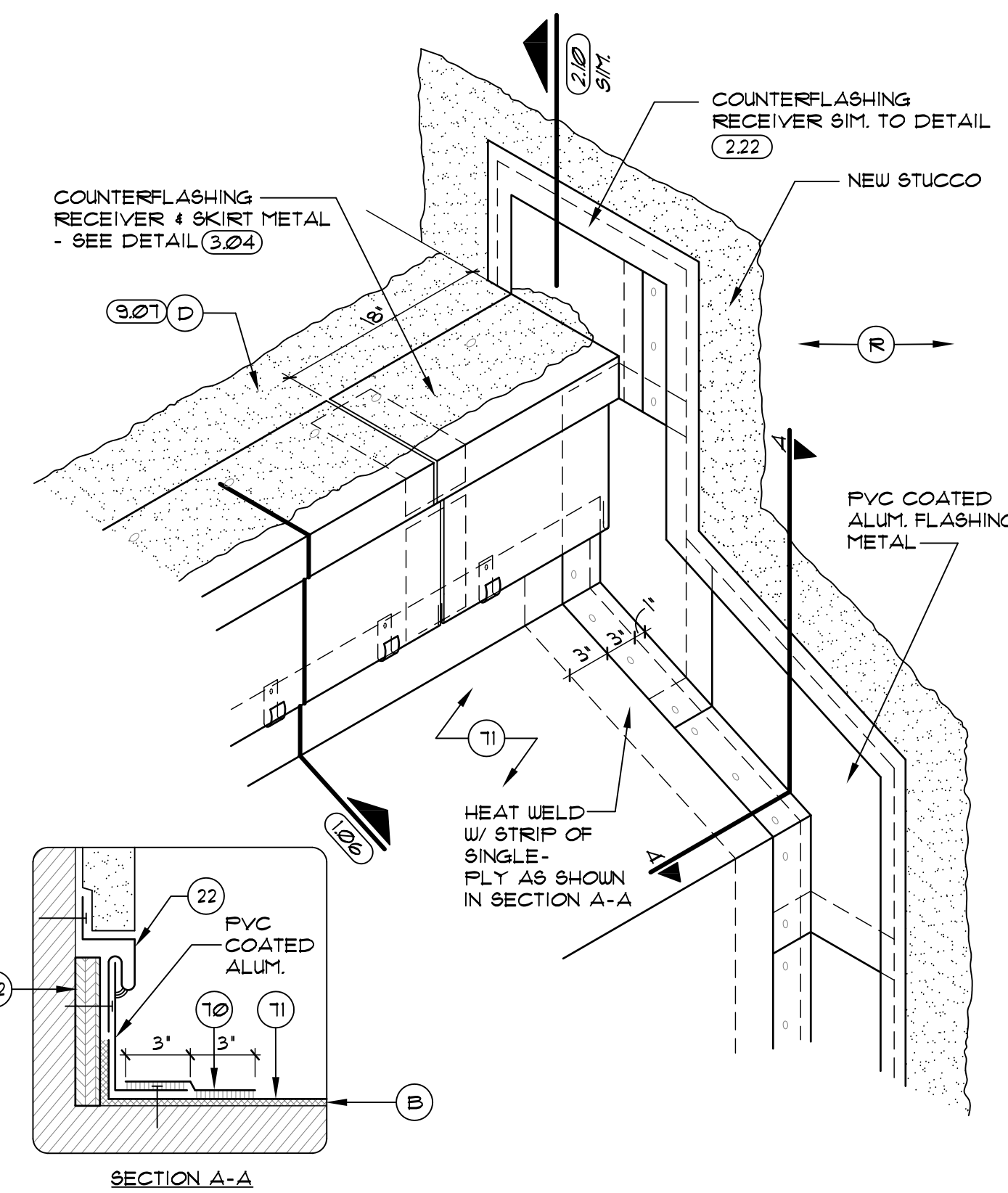
3.27 EDGE METAL TERMINATION AT ROOF 5/A
SCALE: 3/4"=1'-0"



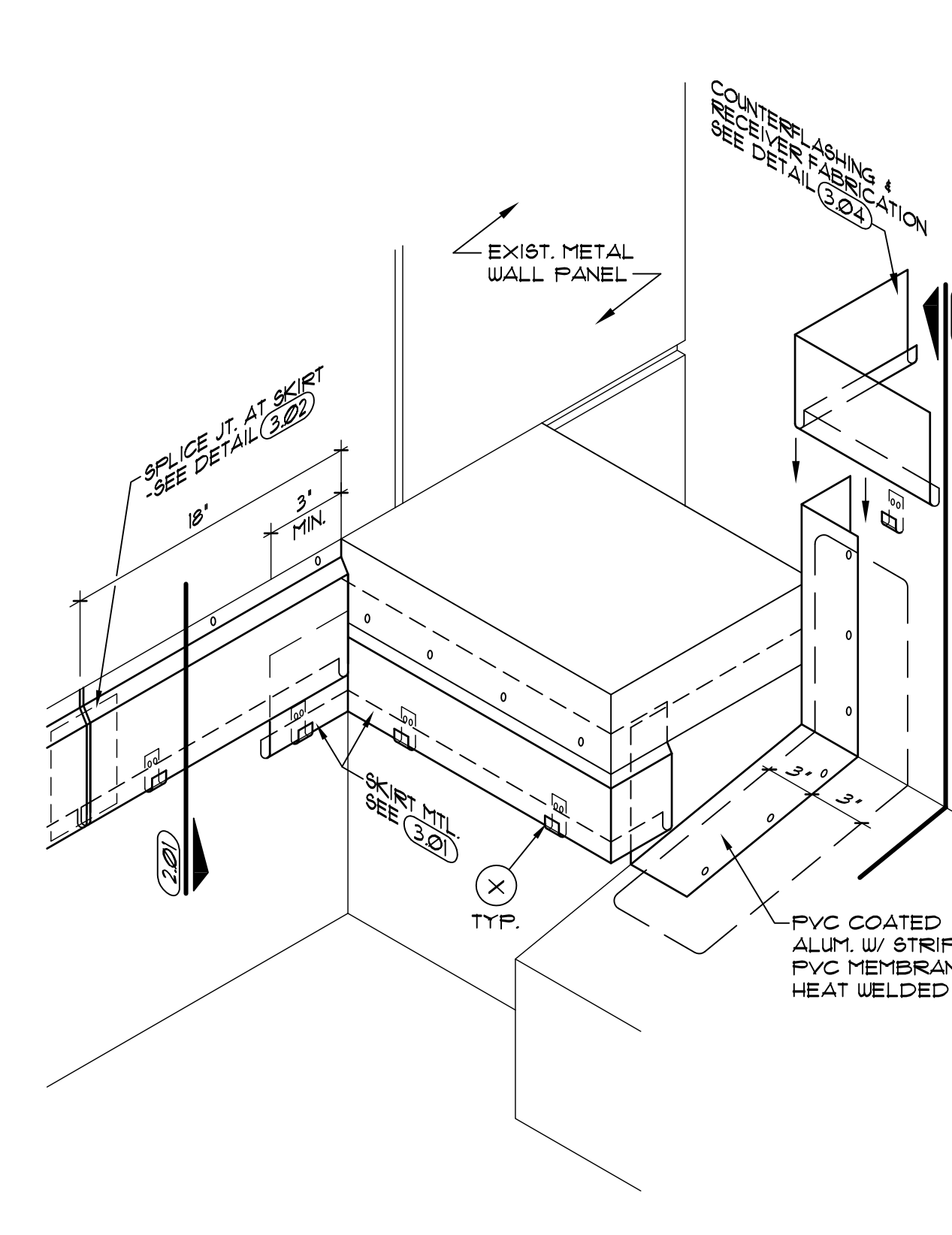
3.28 SKIRT METAL TRANSITION AT SECTOR 3
SCALE: 3/4"=1'-0"



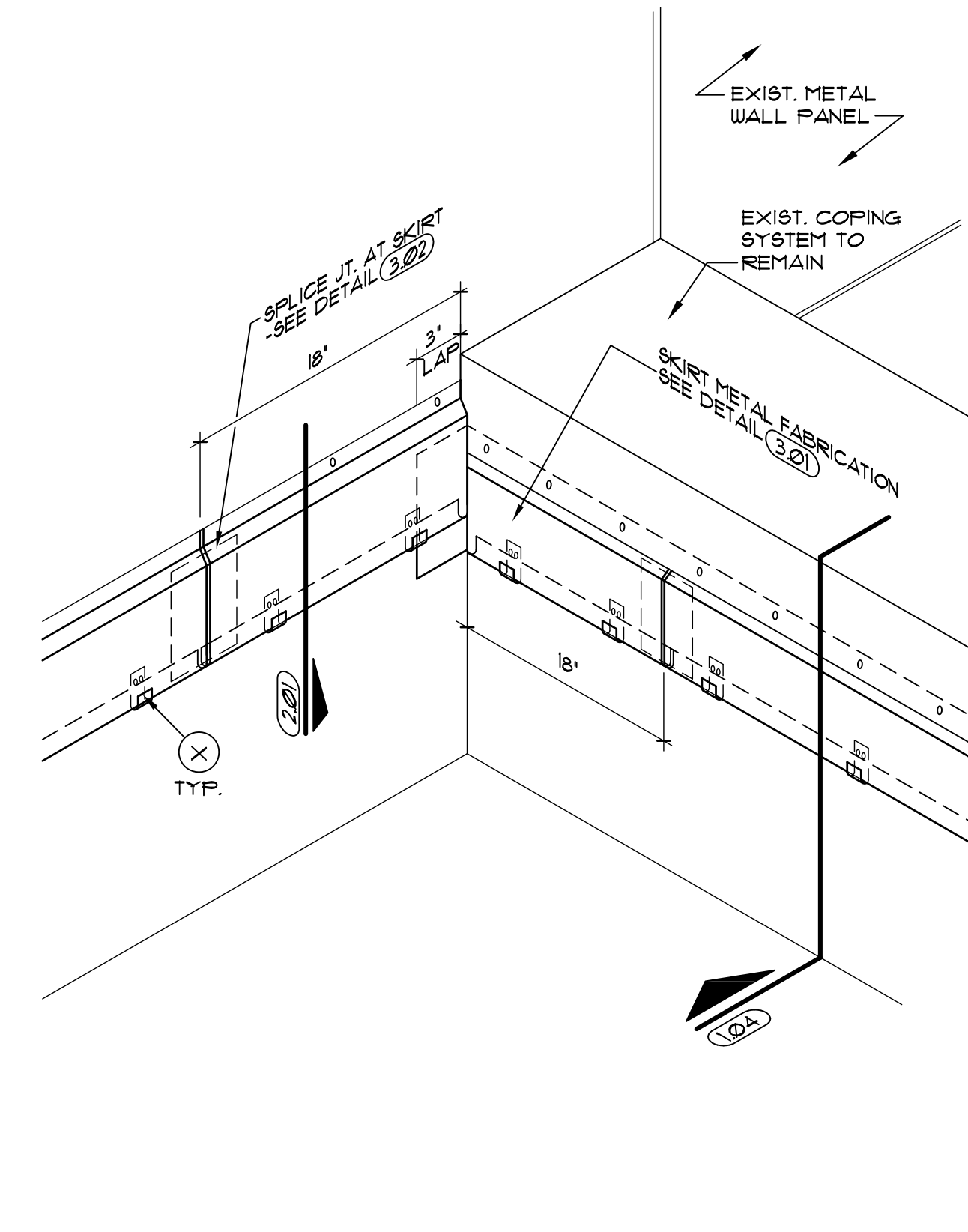
3.29 TYP. PARAPET COPING TERMINATIONS AT SECTOR 3
SCALE: 3/4"=1'-0"



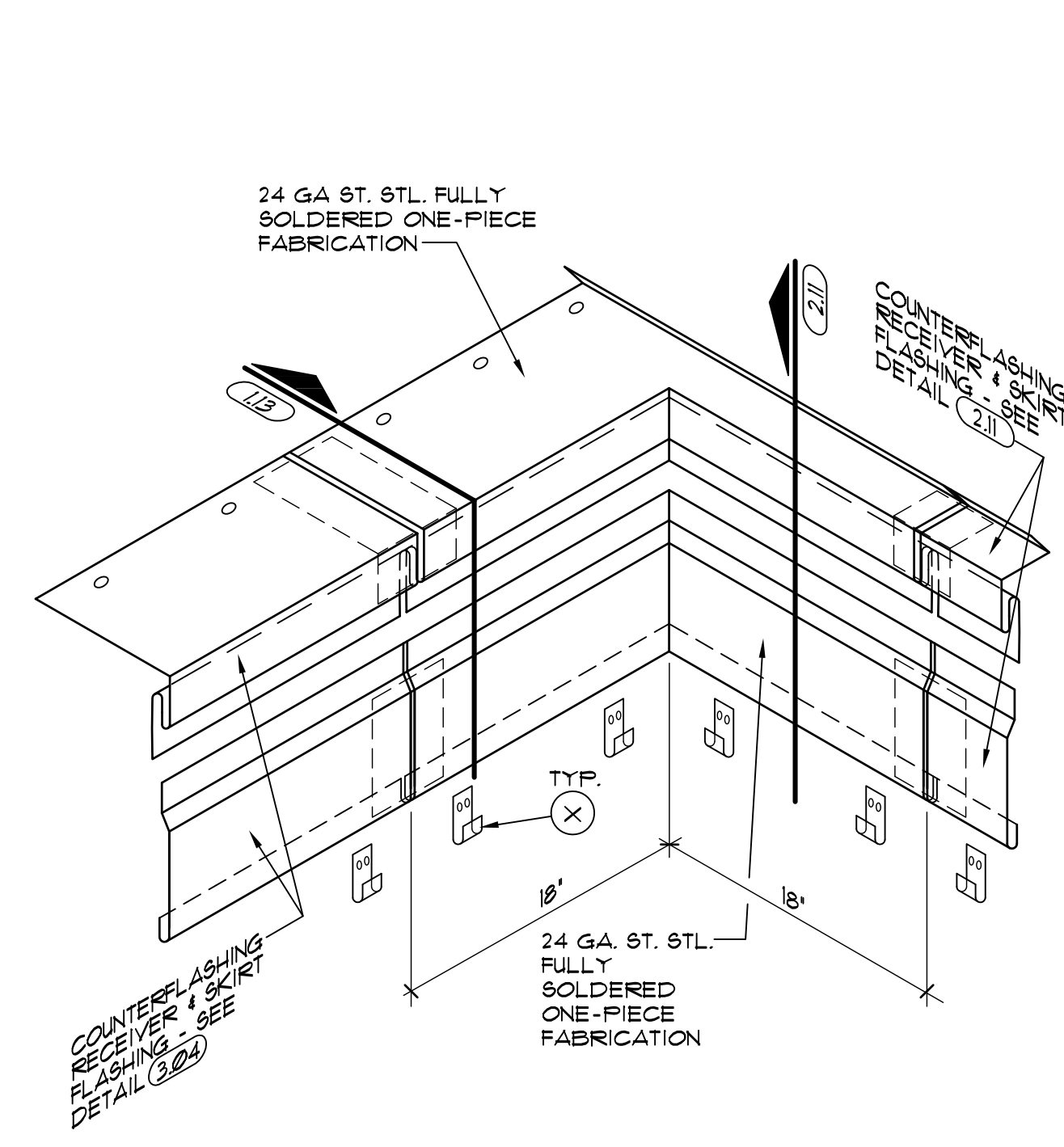
3.30 EDGE METAL TERMINATION AT ROOF 3/K
SCALE: 3/4"=1'-0"



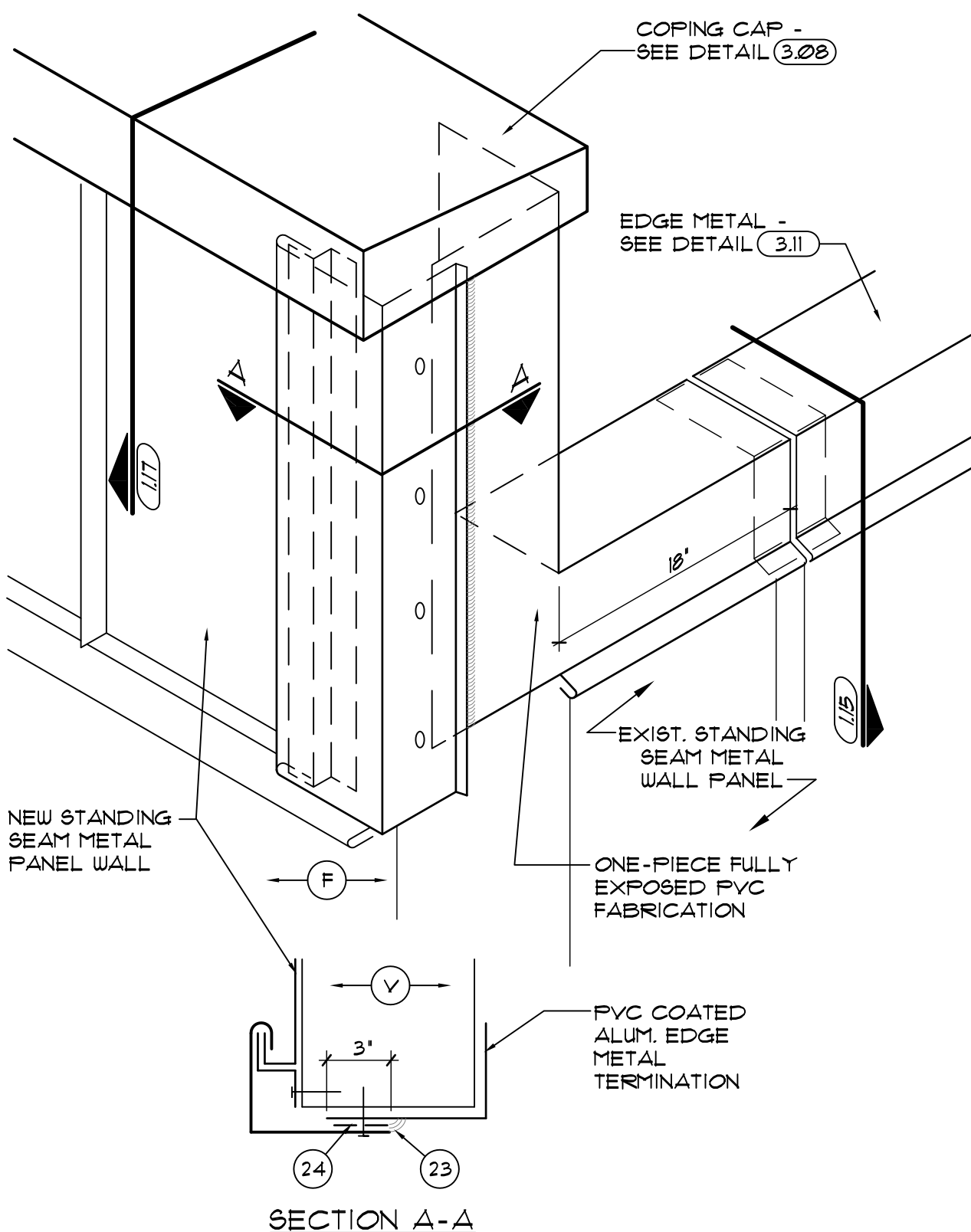
3.31 CORNER FABRICATION ASSEMBLY AT ROOF 3/K
SCALE: 3/4"=1'-0"



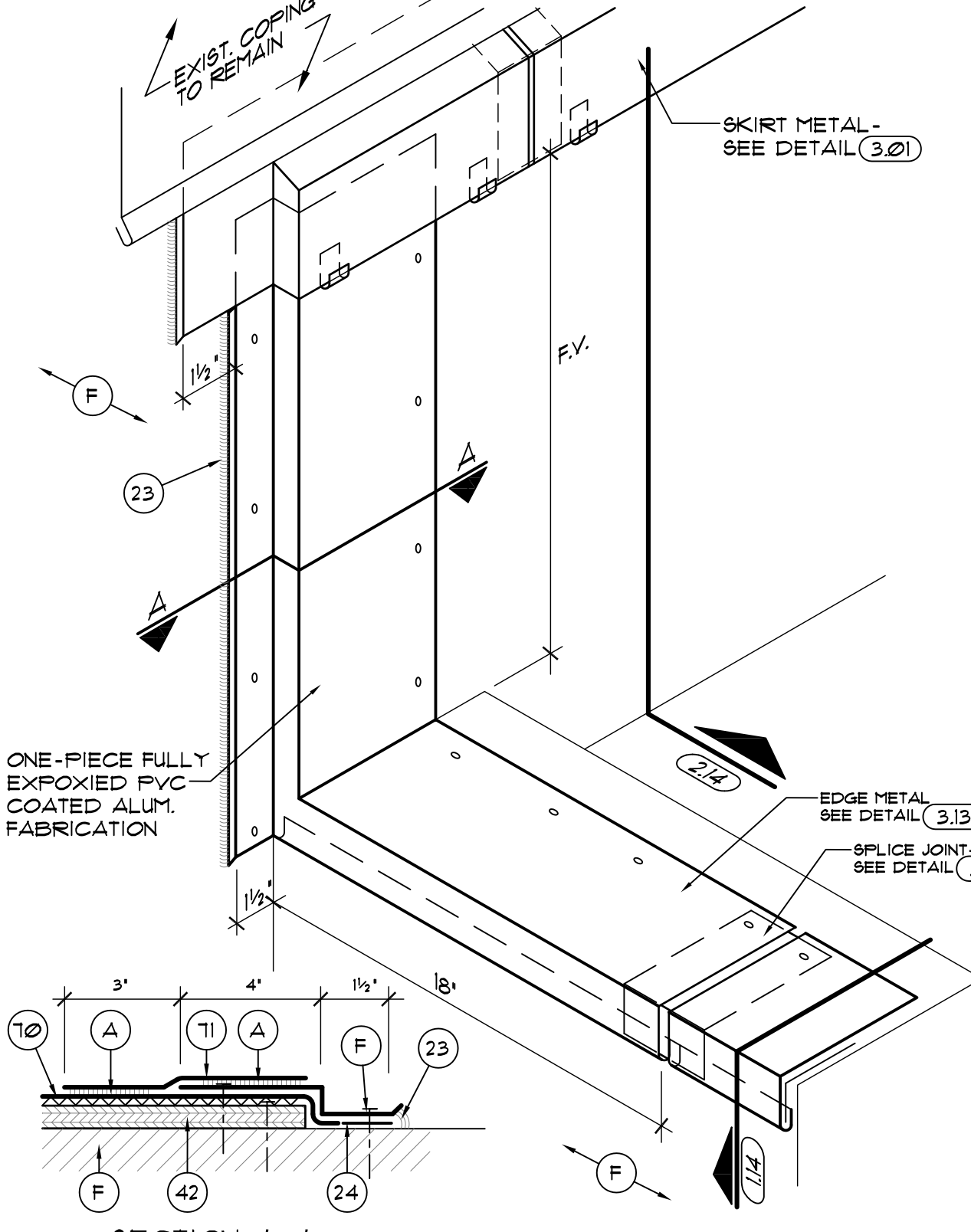
3.32 COPING TERMINATION DETAIL AT METAL PANEL
SCALE: 3/4"=1'-0"



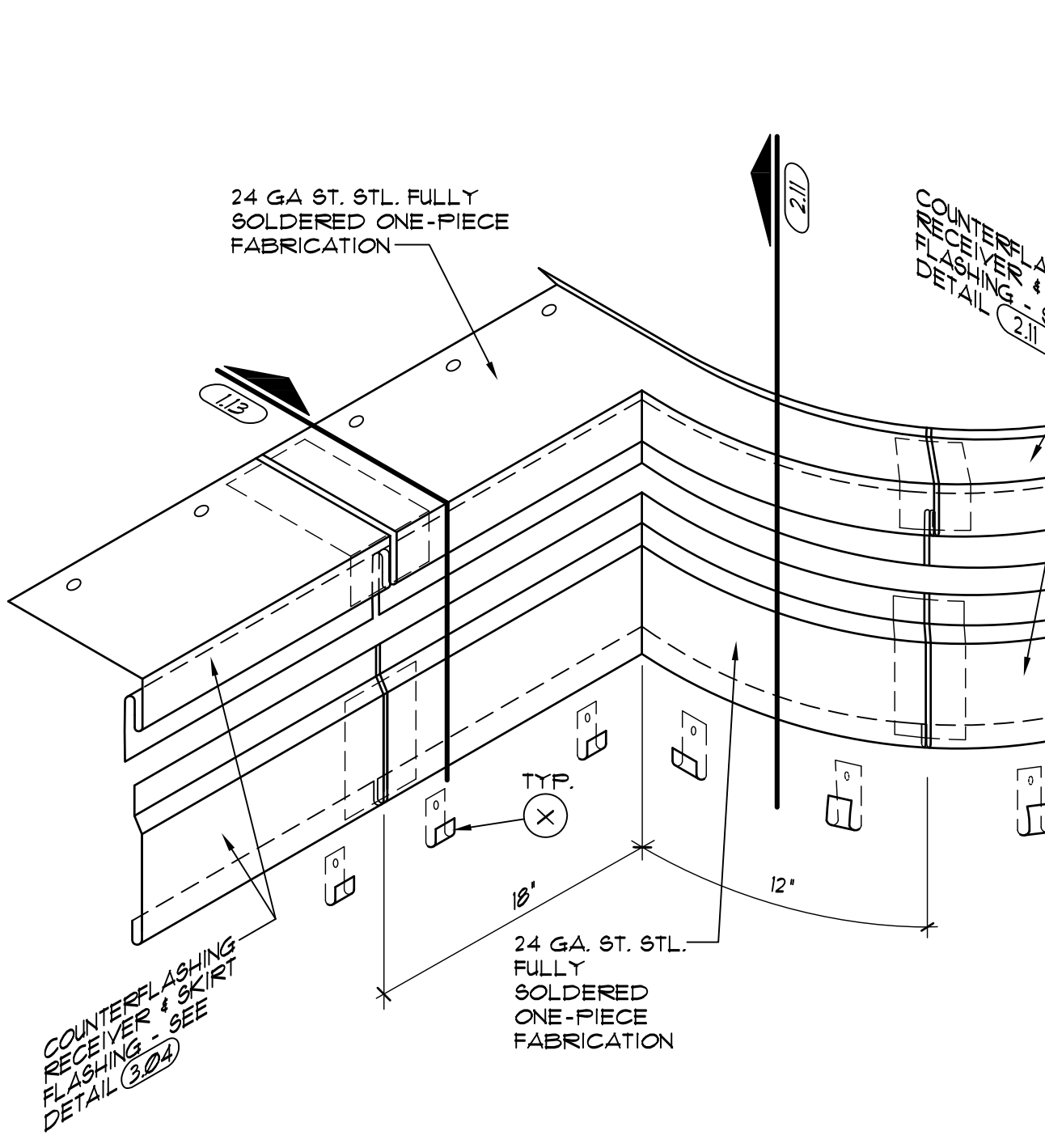
3.33 COPING TRANSITION AT CONCRETE WALL
SCALE: 3/4"=1'-0"



3.34 EDGE METAL TRANSITION AT ROOF 4/D
SCALE: 3/4"=1'-0"



3.35 EDGE METAL TERMINATION AT SECTOR 4
SCALE: 3/4"=1'-0"



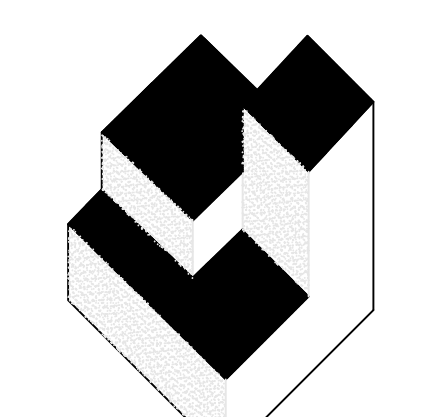
3.36 TYP. COUNTERFLASHING TRANSITION AT COLUMN
SCALE: 3/4"=1'-0"

DETAILS NOTES

1. EXISTING STRUCTURAL CONCRETE DECK
2. EXIST. METAL STUD WALL
3. EXISTING METAL DECK
4. EXISTING PRECAST CONC. PANEL PARAPET
5. EXIST. RIGID INSULATION TO REMAIN
6. EXIST. SHEATHING TO REMAIN
7. EXISTING PENETRATION - EXTEND AS REQ'D TO PROVIDE MIN HEIGHT INDICATED
8. LIGHTWEIGHT INSULATION CONCRETE DECK
9. EXISTING MECHANICAL EQUIPMENT
10. EXISTING CURB TO REMAIN
11. EXISTING CONCRETE/CMU BLOCK WALL
14. PRELIMINARY ROOF
16. BATT INSULATION
17. NON-TAPERED RIGID INSULATION
18. TAPERED RIGID INSULATION
20. 1/2" GYPSUM ROOF BOARD
21. SURFACE APPLIED TERMINATION BAR
22. TWO-PIECE SURFACE APPLIED COUNTERFLASHING - SEE REFERENCED DETAIL
23. SEALANT
24. FLASHING TAPE
32. CONTINUOUS CLEAT
35. SCUPPER 4 DOWNSPOUT CONNECTION - SEE REFERENCED DETAIL
36. NEW SCUPPER 4 CONDUCTOR HEAD W/ 2 BRACKETS - SEE REFERENCED DETAIL
37. NEW SCUPPER - SEE REFERENCED DETAIL

41. P.T. WOOD BLOCKING TO BE FASTENED AT 12" O.C. (MAX) AND STAGGER - COUNTERSINK HEADS
42. 3/4" FLYWOOD - SCREW FASTEN @ 8" O.C. (MAX) TOP 4 BOTTOM 4 STAGGER - COUNTERSINK HEADS
43. ROUND OFF THIS EDGE
44. NEW ROOF DRAIN - ADJUST ELEV. ABOVE DECK IN FIELD
45. EXISTING STRUCTURE
46. NEW OVERFLOW DRAIN
48. TAPERED RIGID INSULATION BOARD SUMP
59. 24 GA ST. STL. SKIRT METAL
60. PARAPET COPING CAP - SEE REFERENCED DETAIL
61. METAL EDGE DETAIL - SEE DETAIL
67. VENTED BASE SHEET
70. FLEXIBLE SHEET FLASHING
71. FLEXIBLE SHEET MEMBRANE
133. EXISTING WOOD BLOCKING TO REMAIN. REPLACE WHERE DAMAGED OR DETERIORATED

- A. HEAT WELD
- B. MFR APPROVED ADHESIVE
- C. FASTENER W/ STRESS PLATE
- D. MANUFACTURER'S APPROVED FLEECE REINFORCED LIQUID APPLIED FLASHING SYSTEM
- E. NEW ST. STL. FASTENER W/ NEOPRENE BACKED WASHER - BACK OUT EXIST. FASTENER AND REPLACE WITH ONE SIZE LARGER AT EXIST. LOCATIONS
- F. EXIST. METAL PANEL WALL SYS. TO REMAIN
- G. NEW UNDER DECK CLAMP
- H. DRAIN PIPE - INSTALL NEW AS REQ'D
- I. NEW STRAINER
- J. NEW CLAMPING RING
- K. NEW MFR'S STD. ADJUSTABLE HEIGHT COLLAR - ANCHOR TO DECK W/ 4-1/2" SCREWS
- L. INFILL AREA AS NEEDED W/ FOAM OR RIGID INSULATION
- M. PREFORMED STACK FLASHING
- N. STAINLESS STEEL DRAW BAND
- O. PROVIDE NEW 18 GA GALV. FRAMING AT PERIMETER OF SCUPPER FOR SUPPORT THROUGH WALL SYSTEM
- P. BRACE EXIST. METAL PANEL OPENING W/ NEW 18 GA GALV. FRAMING AT PERIMETER OF EXIST. SCUPPER OPENING
- Q. ST. STL. DRIVE PIN FASTENER W/ NEOPRENE BACKED METAL WASHER @ 8" O.C.
- R. EXISTING STUCCO
- S. ANCHOR STRAPS PER REFERENCED DETAIL
- T. NEW CLAMPING RING WITH RAISED HUB
- U. 24 GA ST. STL. DRAIN COVER - ATTACH TO TOP OF STRAINER
- V. INSTALL NEW 2"x6" METAL FRAME PARAPET WITH SPACING @ 16" O.C.
- W. EXPANSION JOINT FILLER - CLOSED CELL POLYETHYLENE TUBING.
- X. 3' WIDE 26 GA ST. STL. RETAINER CLEATS @ 18" O.C. - ANCHOR W/ 2 FASTENERS EACH - BEND UP IN FIELD TO SECURE SKIRT METAL



A/R/C
Associates
Incorporated

Architecture
Roof Consulting
Construction Technology
LIC. NBR AAC000932
601 North Fern Creek Avenue
Suite 100 Orlando, FL
32805-4899
Tel. (407) 896-7875
Fax. (407) 898-6043
Copyright © A/R/C ASSOCIATES, INC.

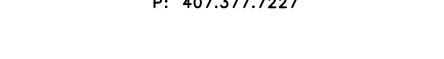
JAMES W. RIPLEY AR-001778
JOSEPH J. WILLIAMS AR-007984

REVISIONS

| NO. | DATE | BY: |
|-----|------|-----|
| | | |



SGM
ENGINEERING, INC.
MEP CONSULTING ENGINEERS
935 Lake Baldwin Lane
Orlando, FL 32814
Tel. 407-767-5088
Fax. 407-767-5772
www.sgmengineering.com
Copyright © 2014 SGM Engineering, Inc.



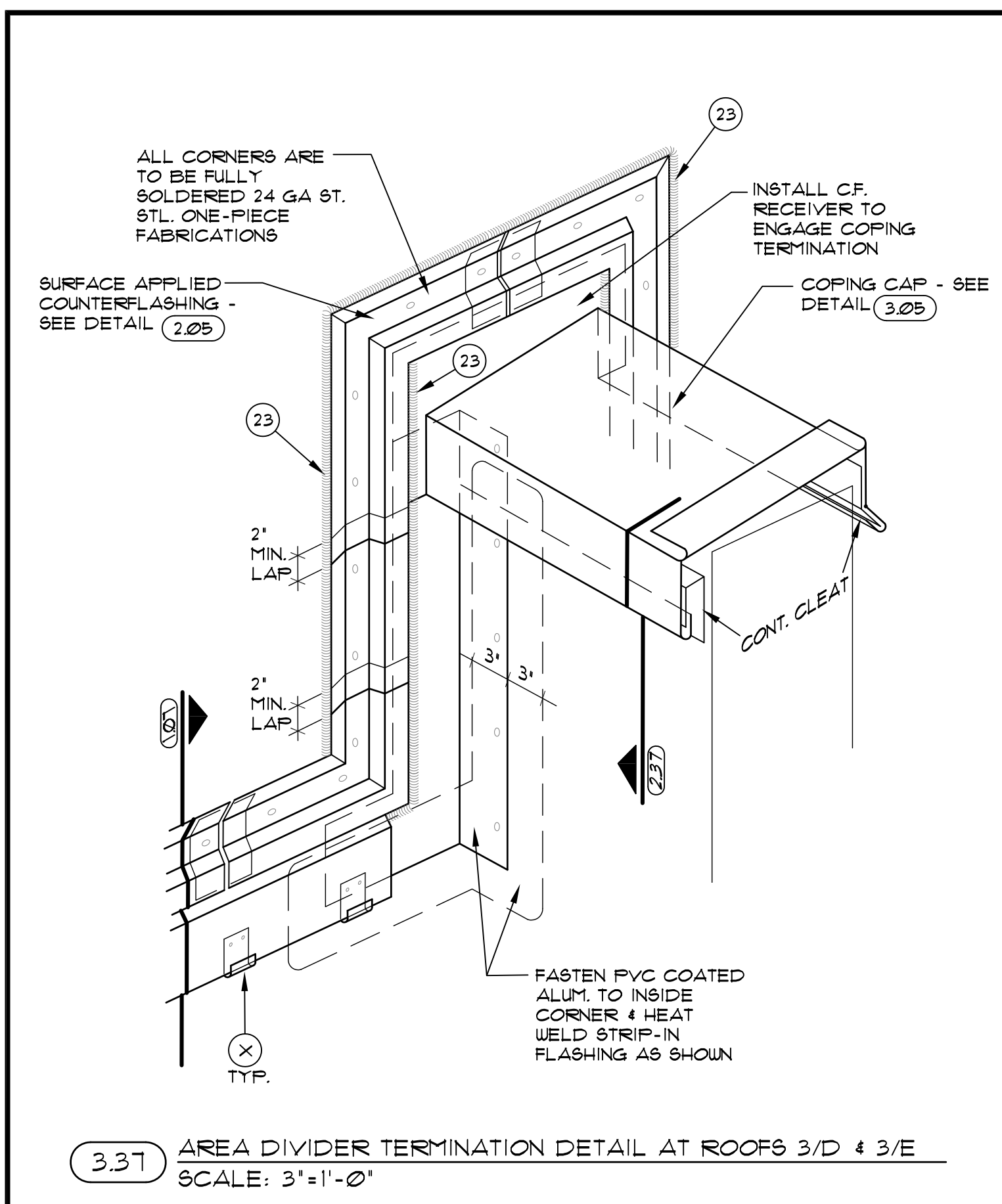
BASE
ENGINEERING, INC.
CONSULTING ENGINEERS
1714 EAST GORHAM STREET
ORLANDO, FLORIDA 32837
P. 407-377-7277

DESIGNATED REPAIRS AND REPLACEMENT OF:
OCCC WEST BLDG ROOF REPLACEMENT
ORANGE COUNTY CONVENTION CENTER
9800 INTERNATIONAL DRIVE, ORLANDO, FL 32819

DETAILS 3.25 THRU 3.36

JOB NO.: 16032.00
DRAWN BY: TAH
CHECKED BY: JJW
DATE: 05-08-2017
SCALE: NTS
PLOT SCALE:

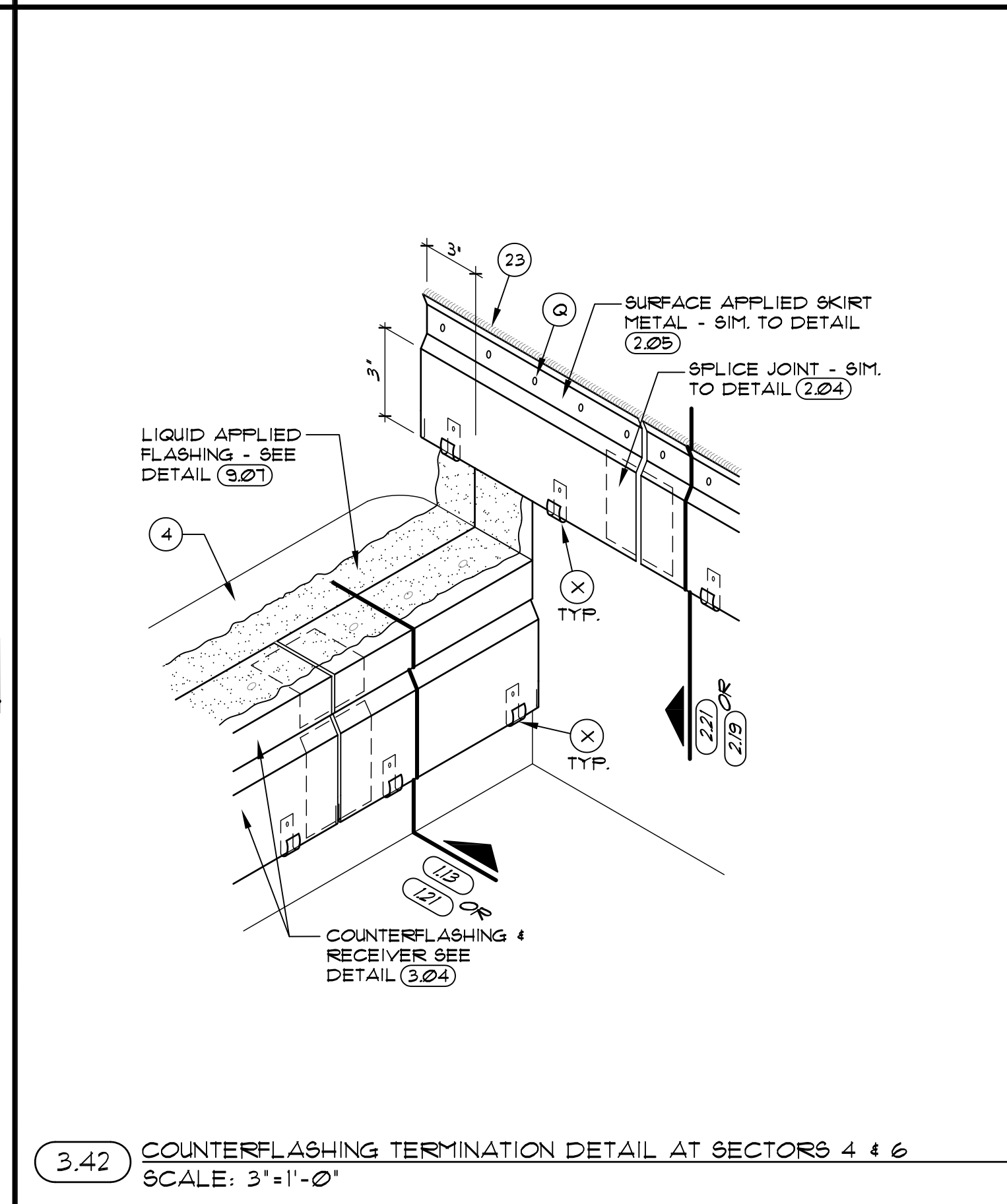
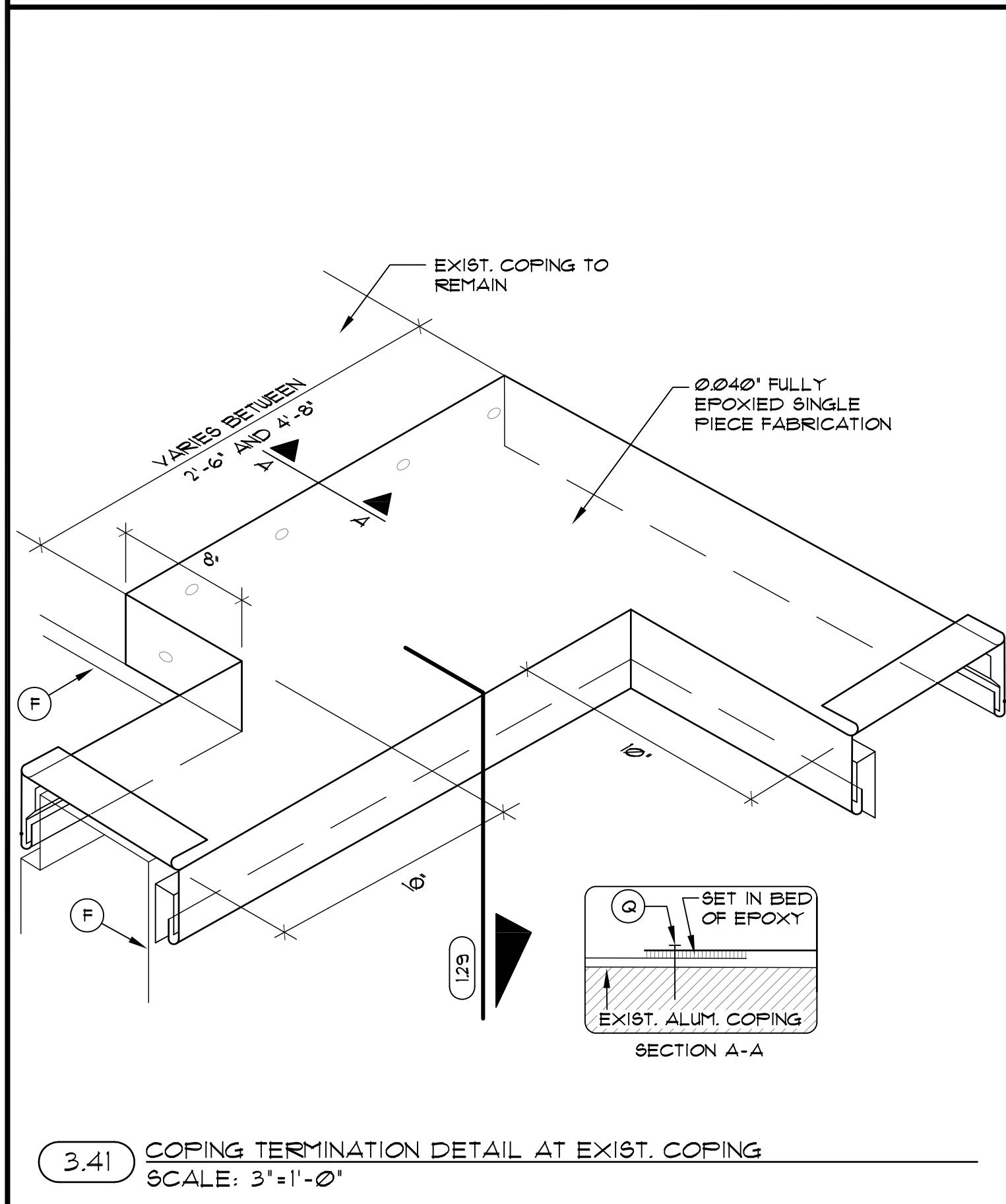
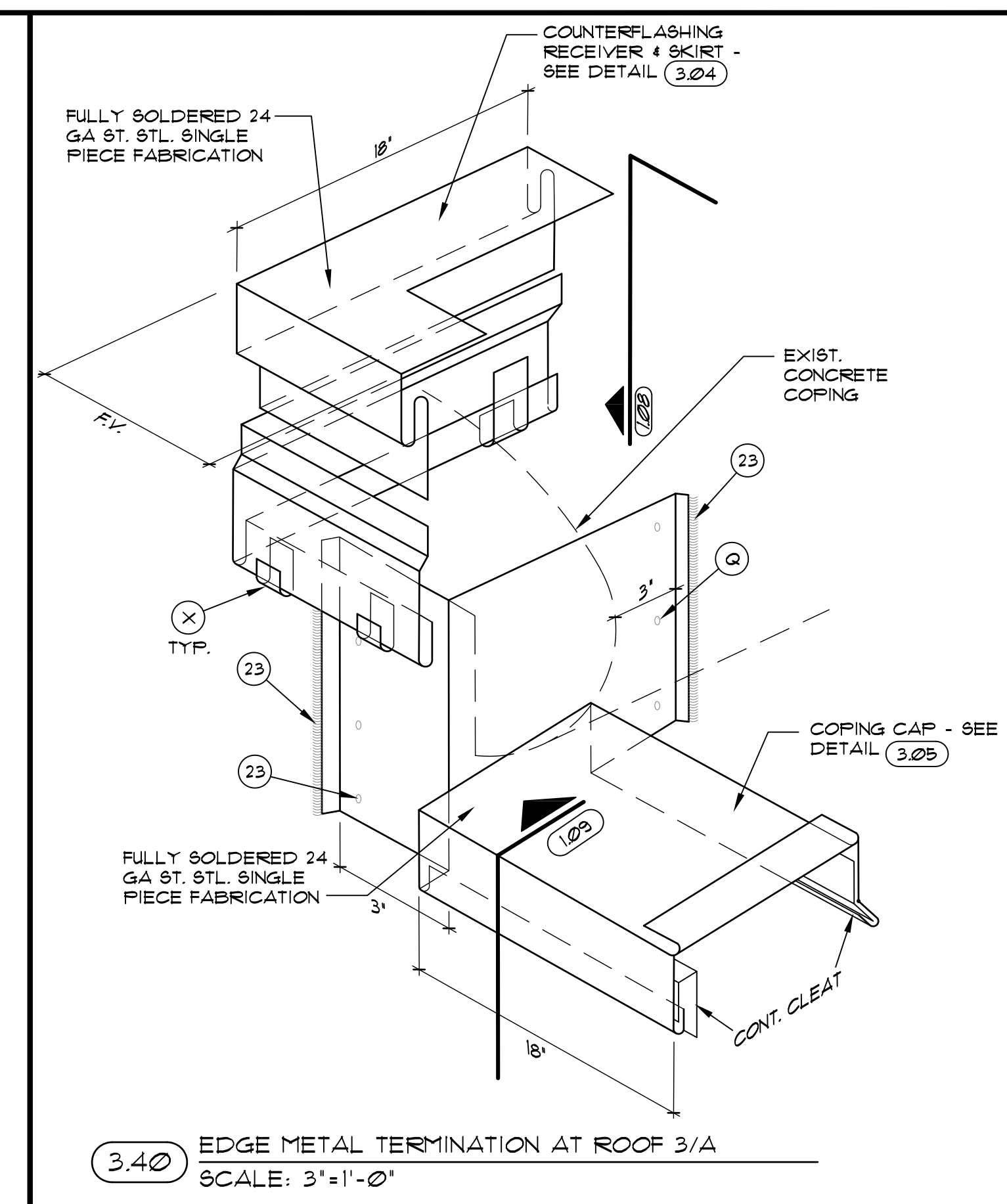
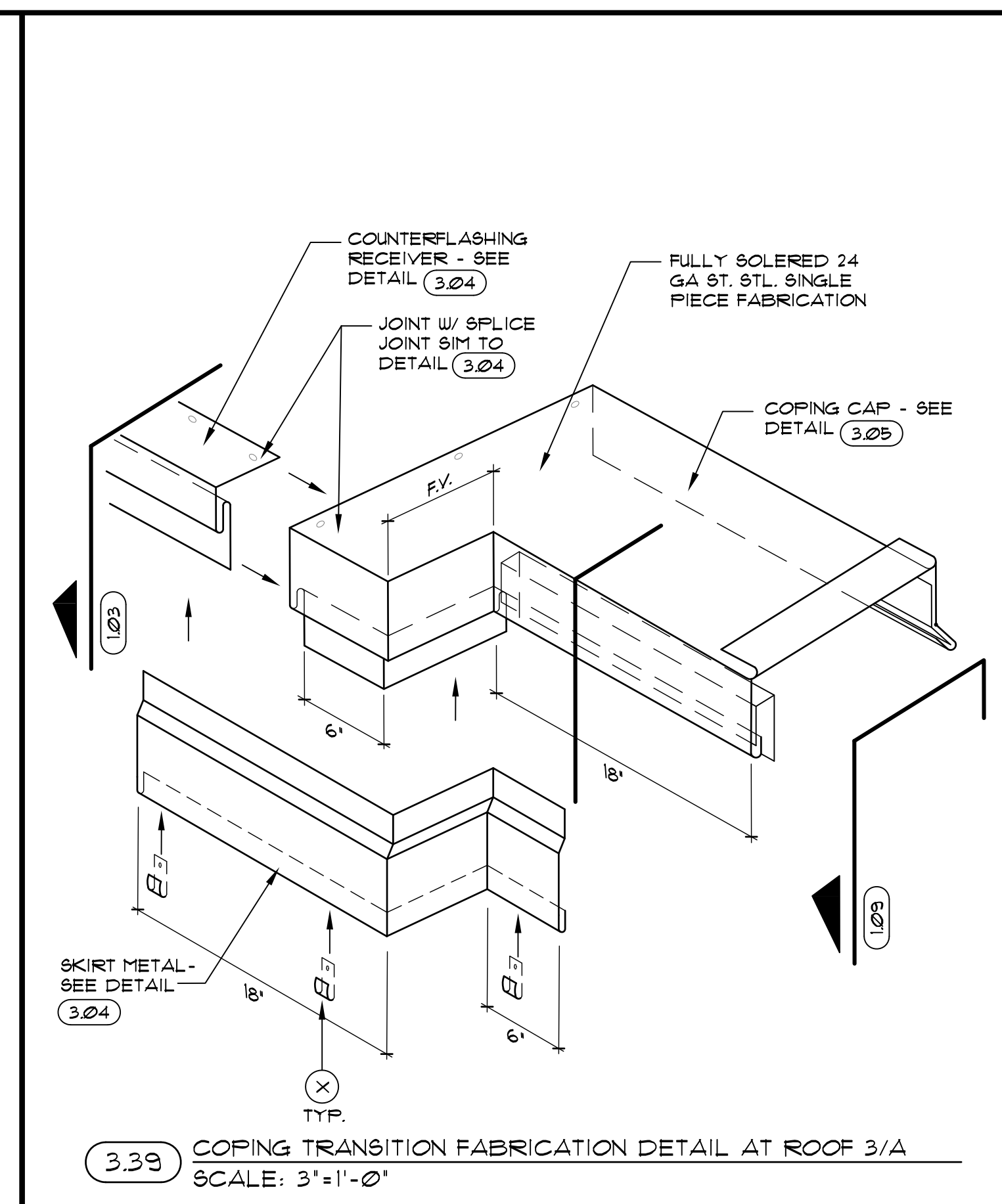
R303
SHEET NO.:
41 OF 105 SHEET(S)



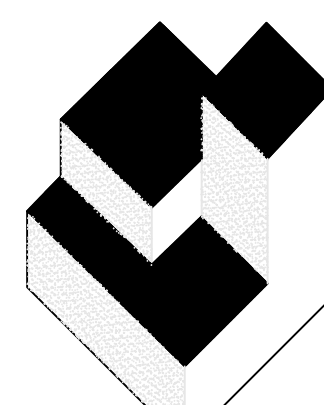
T.B.D.

N.I.C. GLAZING REPLACEMENT PROJECT - DETAIL WILL BE PROVIDED IN A SEPARATE BID PROJECT.

3.38 NEW WINDOWS SILL CORNER FLASHING DETAIL @ SECTOR 5
SCALE: 3/4"=1'-0"



- ### DETAILS NOTES
1. EXISTING STRUCTURAL CONCRETE DECK
 2. EXIST. METAL STUD WALL
 3. EXISTING METAL DECK
 4. EXISTING PRECAST CONC. PANEL PARAPET
 5. EXIST. RIGID INSULATION TO REMAIN
 6. EXIST. SHEATHING TO REMAIN
 7. EXISTING PENETRATION - EXTEND AS REQ'D TO PROVIDE MIN. HEIGHT INDICATED
 8. LIGHTWEIGHT INSULATION CONCRETE DECK
 9. EXISTING MECHANICAL EQUIPMENT
 10. EXISTING CURB TO REMAIN
 11. EXISTING CONCRETE/CMU BLOCK WALL
 14. PRELIMINARY ROOF
 16. BATT INSULATION
 17. NON-TAPERED RIGID INSULATION
 18. TAPERED RIGID INSULATION
 20. 1/2" GYPSUM ROOF BOARD
 21. SURFACE APPLIED TERMINATION BAR
 22. TWO-PIECE SURFACE APPLIED COUNTERFLASHING - SEE REFERENCED DETAIL
 23. SEALANT
 24. FLASHING TAPE
 32. CONTINUOUS CLEAT
 35. SCUPPER & DOWNSPOUT CONNECTION - SEE REFERENCED DETAIL
 36. NEW SCUPPER & CONDUCTOR HEAD W/ 2 BRACKETS - SEE REFERENCED DETAIL
 37. NEW SCUPPER - SEE REFERENCED DETAIL
 41. P.T. WOOD BLOCKING TO BE FASTENED AT 12" O.C. (MAX.) AND STAGGER - COUNTERSINK HEADS
 42. 3/4" FLYWOOD - SCREW FASTEN @ 8" O.C. (MAX.) TOP & BOTTOM & STAGGER - COUNTERSINK HEADS
 43. ROUND OFF THIS EDGE
 44. NEW ROOF DRAIN - ADJUST ELEV. ABOVE DECK IN FIELD
 45. EXISTING STRUCTURE
 46. NEW OVERFLOW DRAIN
 48. TAPERED RIGID INSULATION BOARD SUMP
 53. 24 GA ST. STL. SKIRT METAL
 60. PARAPET COPING CAP - SEE REFERENCED DETAIL
 61. METAL EDGE DETAIL - SEE DETAIL
 67. VENTED BASE SHEET
 70. FLEXIBLE SHEET FLASHING
 71. FLEXIBLE SHEET MEMBRANE
 133. EXISTING WOOD BLOCKING TO REMAIN, REPLACE WHERE DAMAGED OR DETERIORATED
- A. HEAT WELD
 B. MFR APPROVED ADHESIVE
 C. FASTENER W/ STRESS PLATE
 D. MANUFACTURER'S APPROVED FLEECE REINFORCED LIQUID APPLIED FLASHING SYSTEM
 E. NEW ST. STL. FASTENER W/ NEOPRENE BACKED WASHER - BACK OUT EXIST. FASTENER AND REPLACE WITH ONE SIZE LARGER AT EXIST. LOCATIONS
 F. EXIST. METAL PANEL WALL SYS. TO REMAIN
 G. NEW UNDER DECK CLAMP
 H. DRAIN PIPE - INSTALL NEW AS REQ'D
 I. NEW STRAINER
 J. NEW CLAMPING RING
 K. NEW MFR'S STD. ADJUSTABLE HEIGHT COLLAR - ANCHOR TO DECK W/ 4-1/2" SCREWS
 L. INFILL AREA AS NEEDED W/ FOAM OR RIGID INSULATION
 M. PREFORMED STACK FLASHING
 N. STAINLESS STEEL DRAW BAND
 O. PROVIDE NEW 18 GA. GALV. FRAMING AT PERIMETER OF SCUPPER FOR SUPPORT THROUGH WALL SYSTEM
 P. BRACE EXIST. METAL PANEL OPENING W/ NEW 18 GA. GALV. FRAMING AT PERIMETER OF EXIST. SCUPPER OPENING
 Q. ST. STL. DRIVE PIN FASTENER W/ NEOPRENE BACKED METAL WASHER @ 8" O.C.
 R. EXISTING STUCCO
 S. ANCHOR STRAPS PER REFERENCED DETAIL
 T. NEW CLAMPING RING WITH RAISED HUB
 U. 24 GA ST. STL. DRAIN COVER - ATTACH TO TOP OF STRAINER
 V. INSTALL NEW 2"x6" METAL FRAME PARAPET WITH SPACING @ 16" O.C.
 W. EXPANSION JOINT FILLER - CLOSED CELL POLYETHYLENE TUBING.
 X. 3" WIDE 26 GA ST. STL. RETAINER CLEATS @ 18" O.C. - ANCHOR W/ 2 FASTENERS EACH - BEND UP IN FIELD TO SECURE SKIRT METAL




A/R/C Associates Incorporated
 Architecture
 Roof Consulting
 Construction Technology
 LIC. NBR AAC000932
 601 North Fern Creek Avenue
 Suite 100 Orlando, FL
 32803-4899
 Tel. (407) 896-7875
 Fax. (407) 898-6043
 COPYRIGHT © A/R/C ASSOCIATES, INC.


JAMES W. RIPLEY AR-0018750
 JOSEPH J. WILLIAMS AR-007984

REVISIONS

| NO. | DATE | BY: |
|-----|------|-----|
| | | |



SGM ENGINEERING
 MEP CONSULTING ENGINEERS
 935 Lake Baldwin Lane
 Orlando, FL 32814
 Tel. 407-767-5188
 Fax. 407-767-5772
 www.sgmengineering.com
 Copyright © 2014 SGM Engineering, Inc.



BASE
 Engineering & Construction
 1714 EAST GRENADA STREET
 ORLANDO, FLORIDA 32803
 P. 407.377.7277

DESIGNATED REPAIRS AND REPLACEMENT OF:

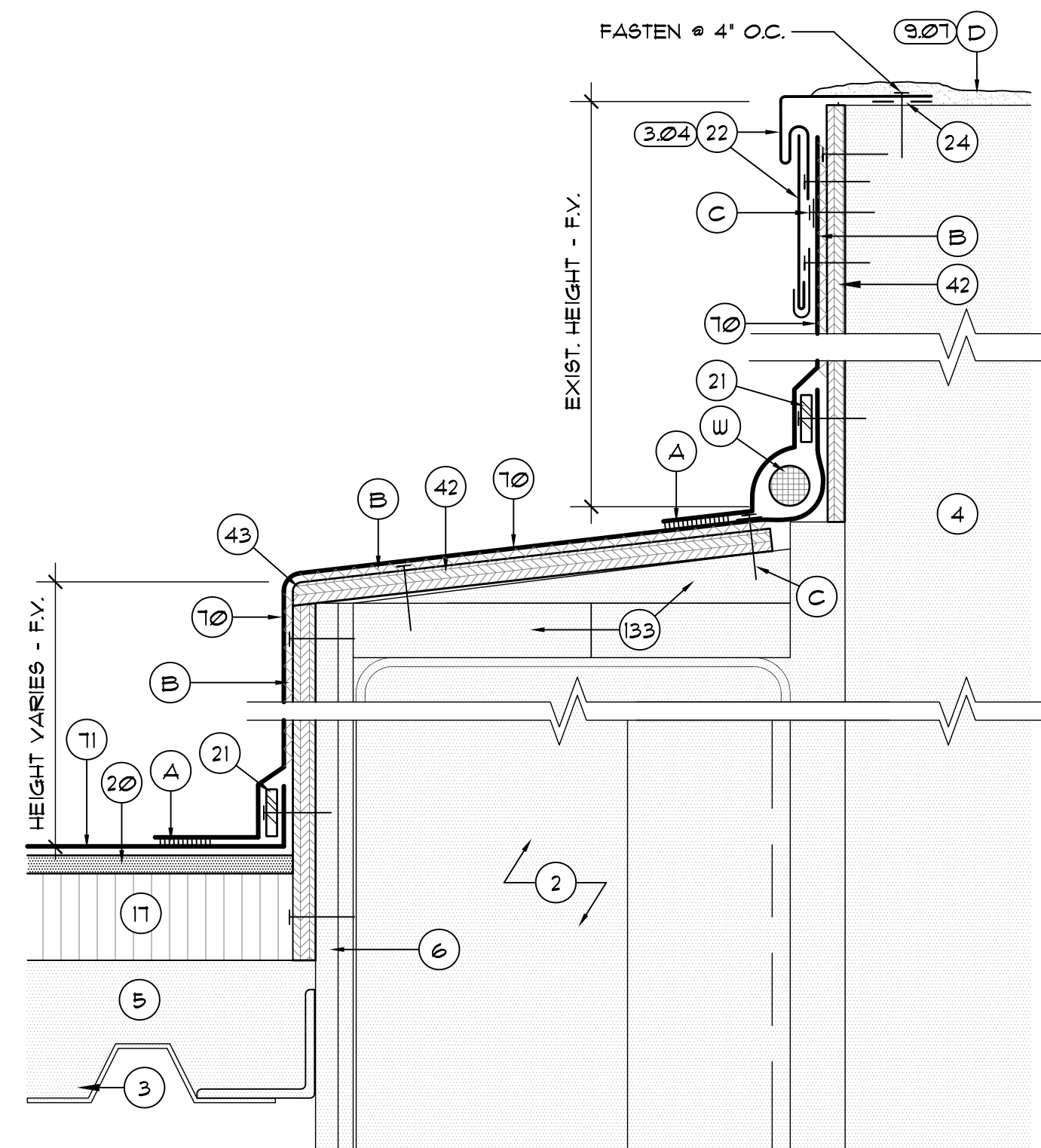
OCCC WEST BLDG ROOF REPLACEMENT
ORANGE COUNTY CONVENTION CENTER
9800 INTERNATIONAL DRIVE, ORLANDO, FL 32819

DETAILS 3.37 THRU 3.42

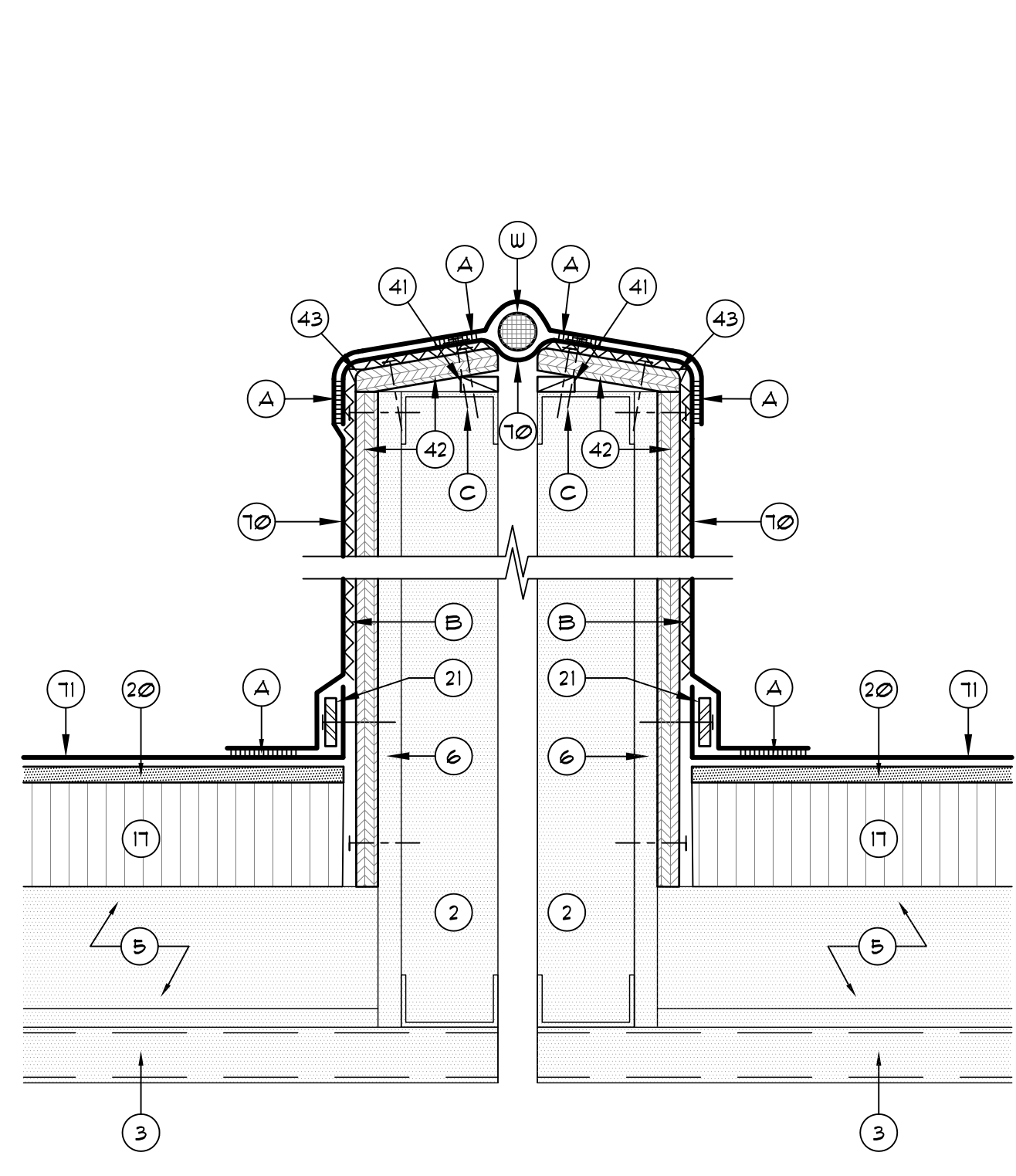
JOB NO.: 16032.00
 DRAWN BY: TAH
 CHECKED BY: JJW
 DATE: 05-08-2017
 SCALE: NTS
 PLOT SCALE:

R304

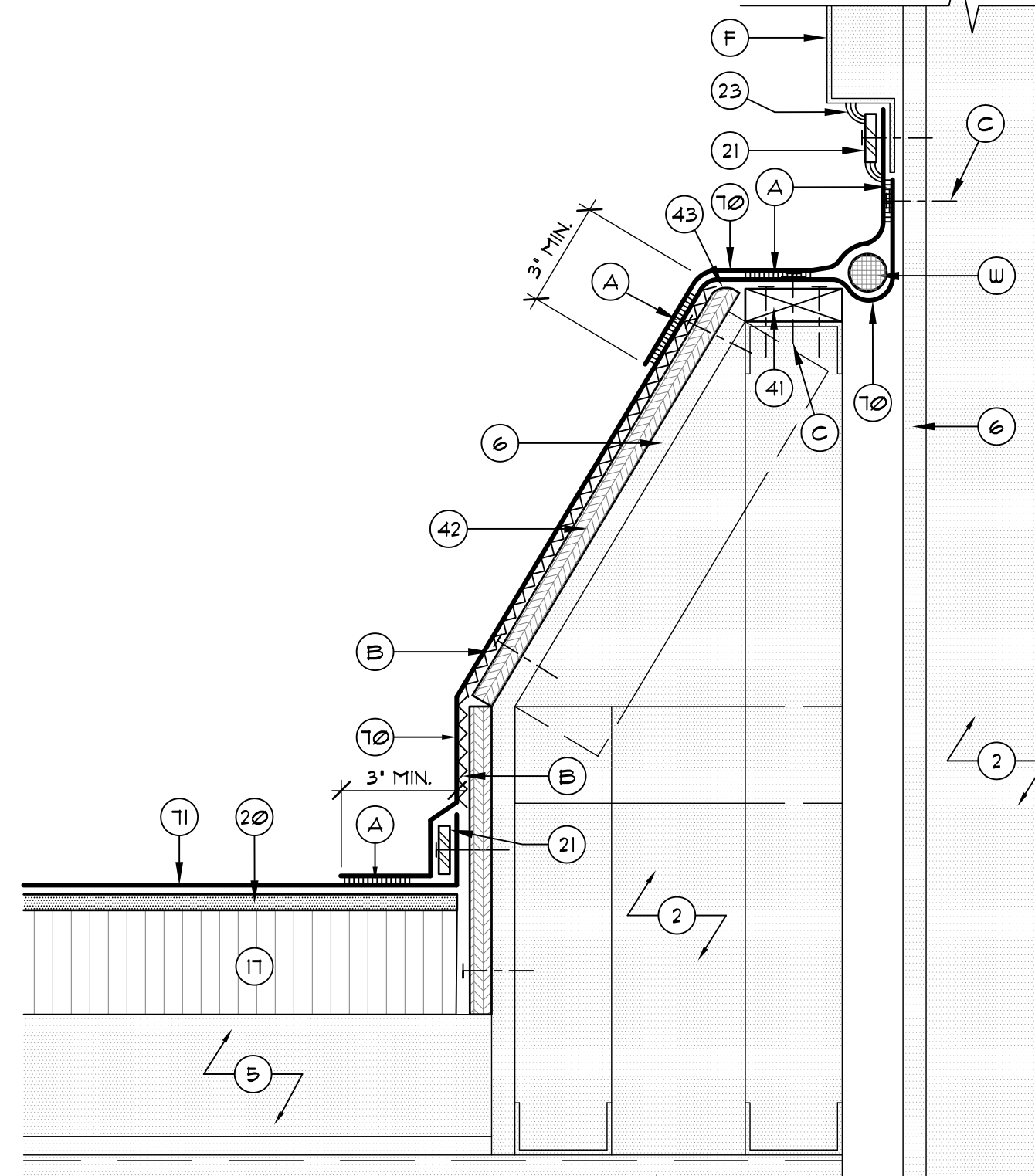
SHEET NO.:
 42 OF 105 SHEET(S)



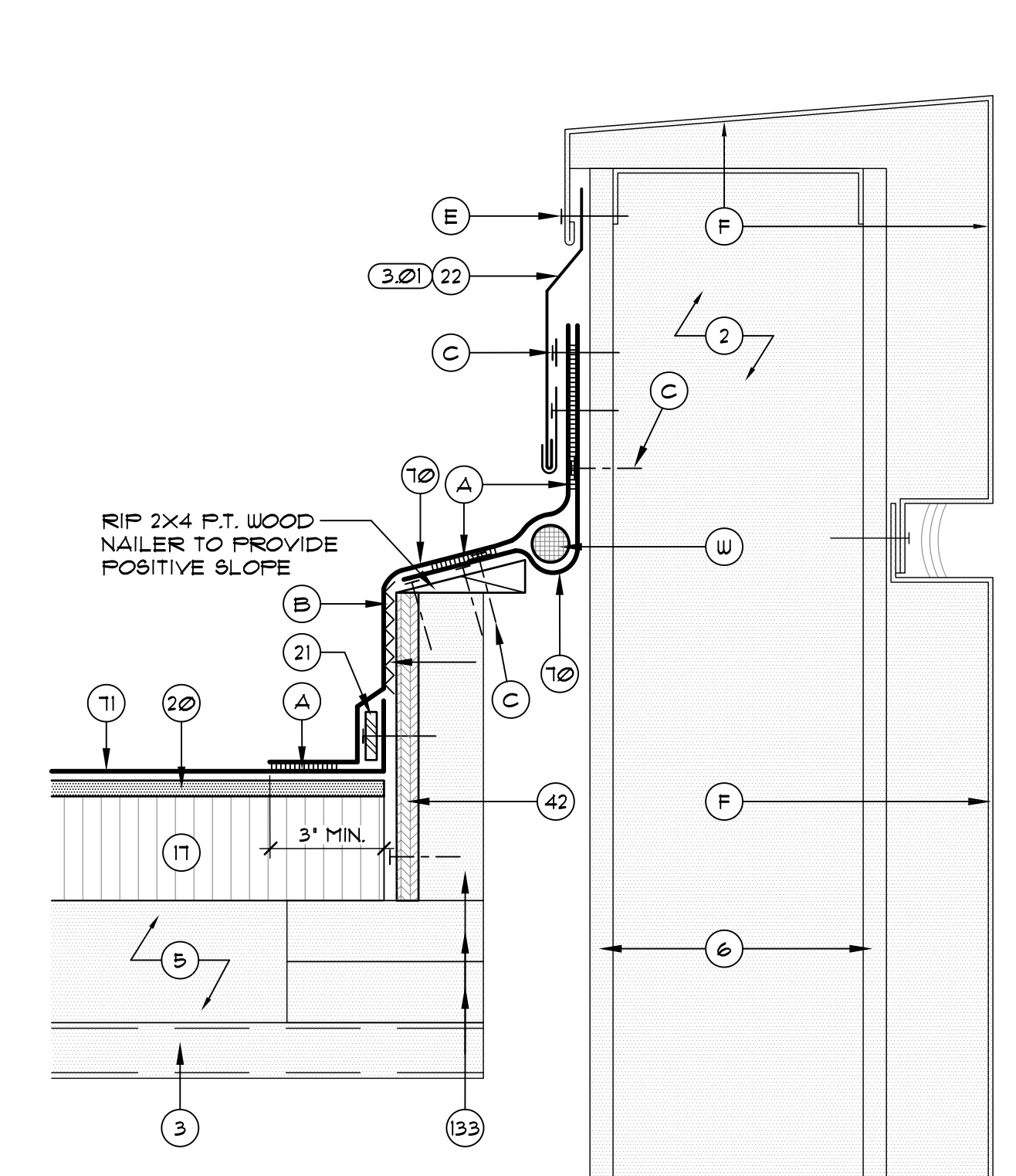
4.01 TYP. EXPANSION JOINT FLASHING AT SECTOR 1
SCALE: 3/4"=1'-0"



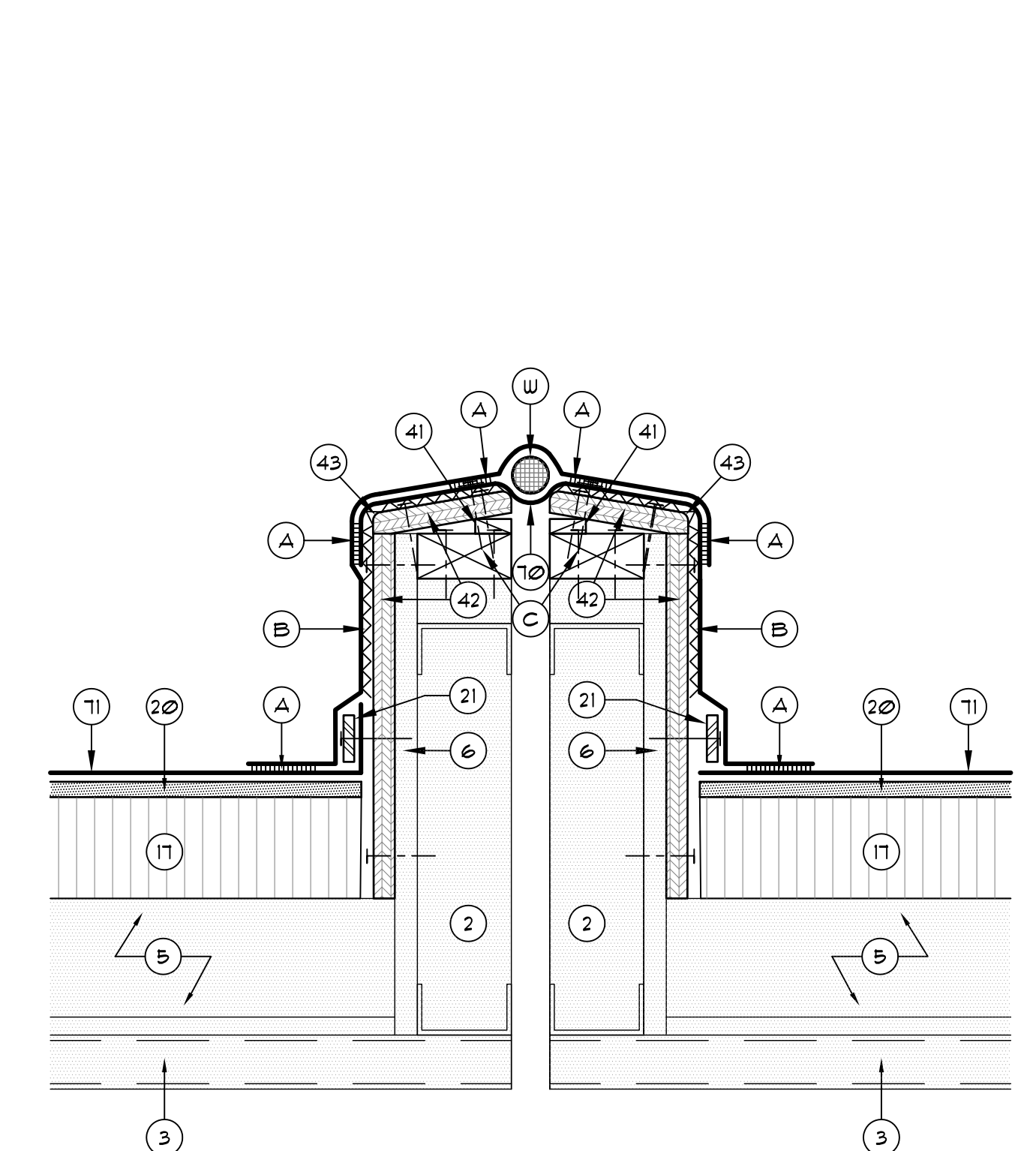
4.02 EXPANSION JOINT FLASHING DETAIL BETWEEN SECTOR 1+2
SCALE: 3/4"=1'-0"



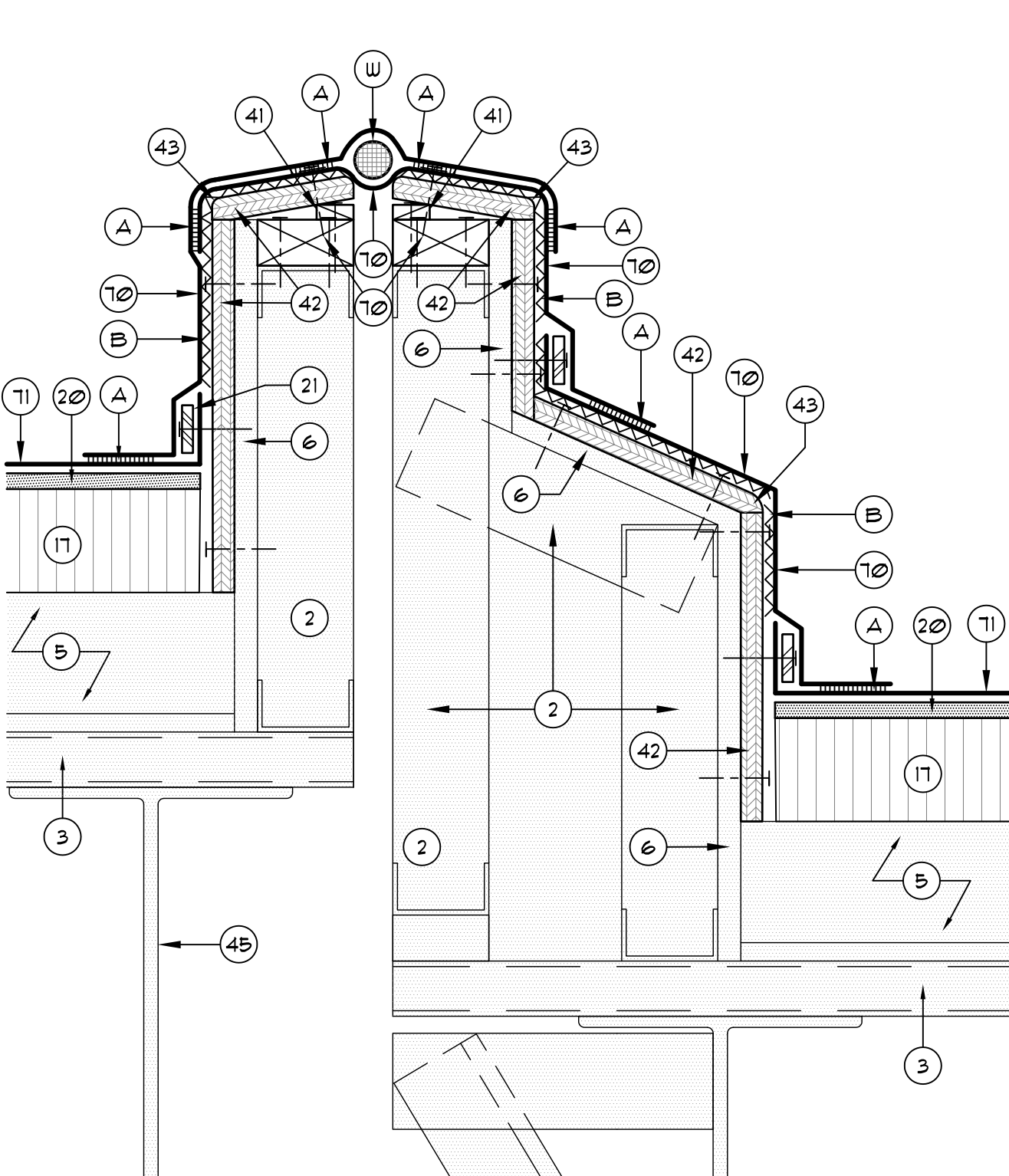
4.03 EXP. JT. FLASHING AT SECTOR 2 TRANSITION WALL
SCALE: 3/4"=1'-0"



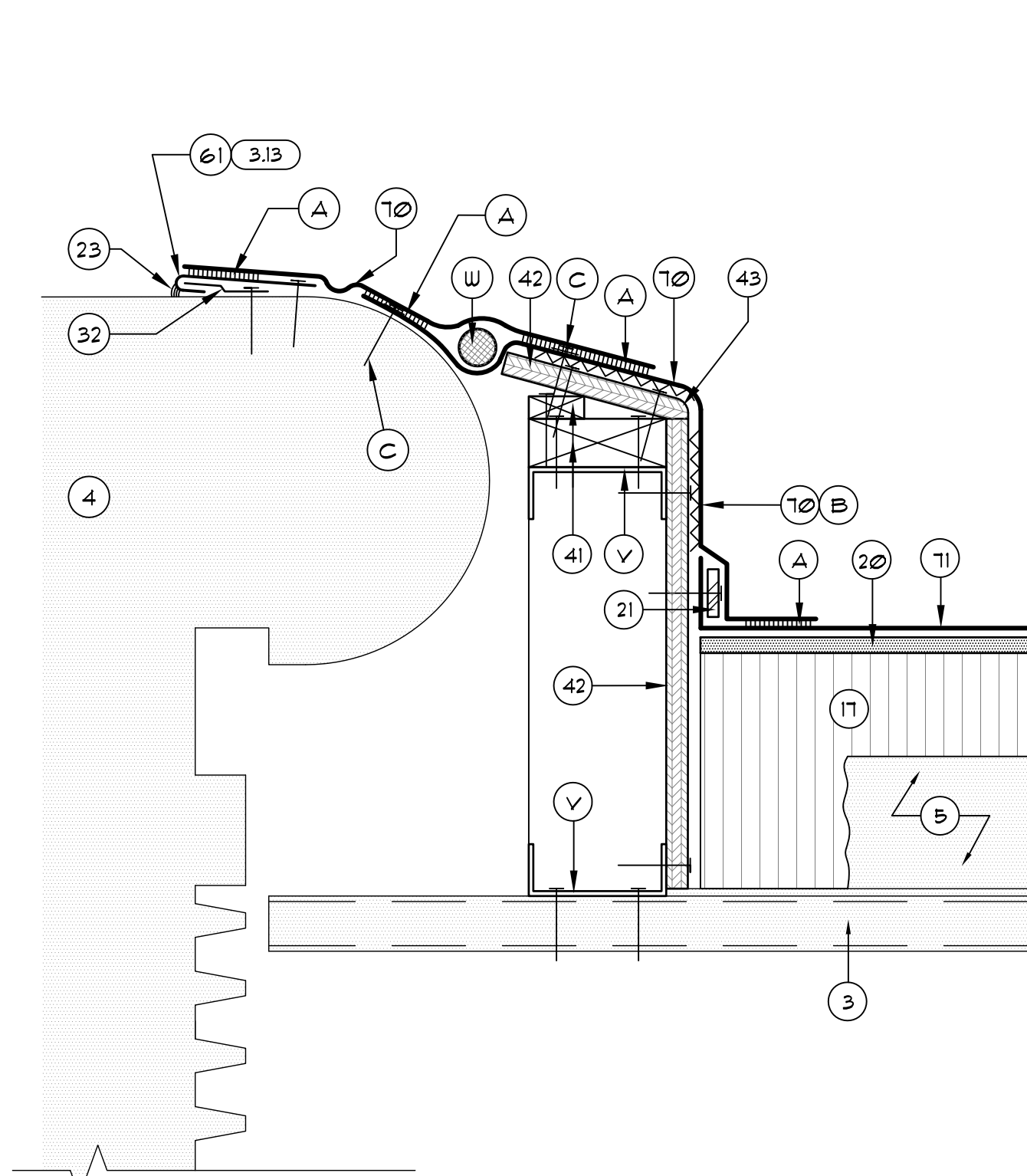
4.04 TYP. EXP. JT. FLASHING AT SECTOR 1+2 PARAPET
SCALE: 3/4"=1'-0"



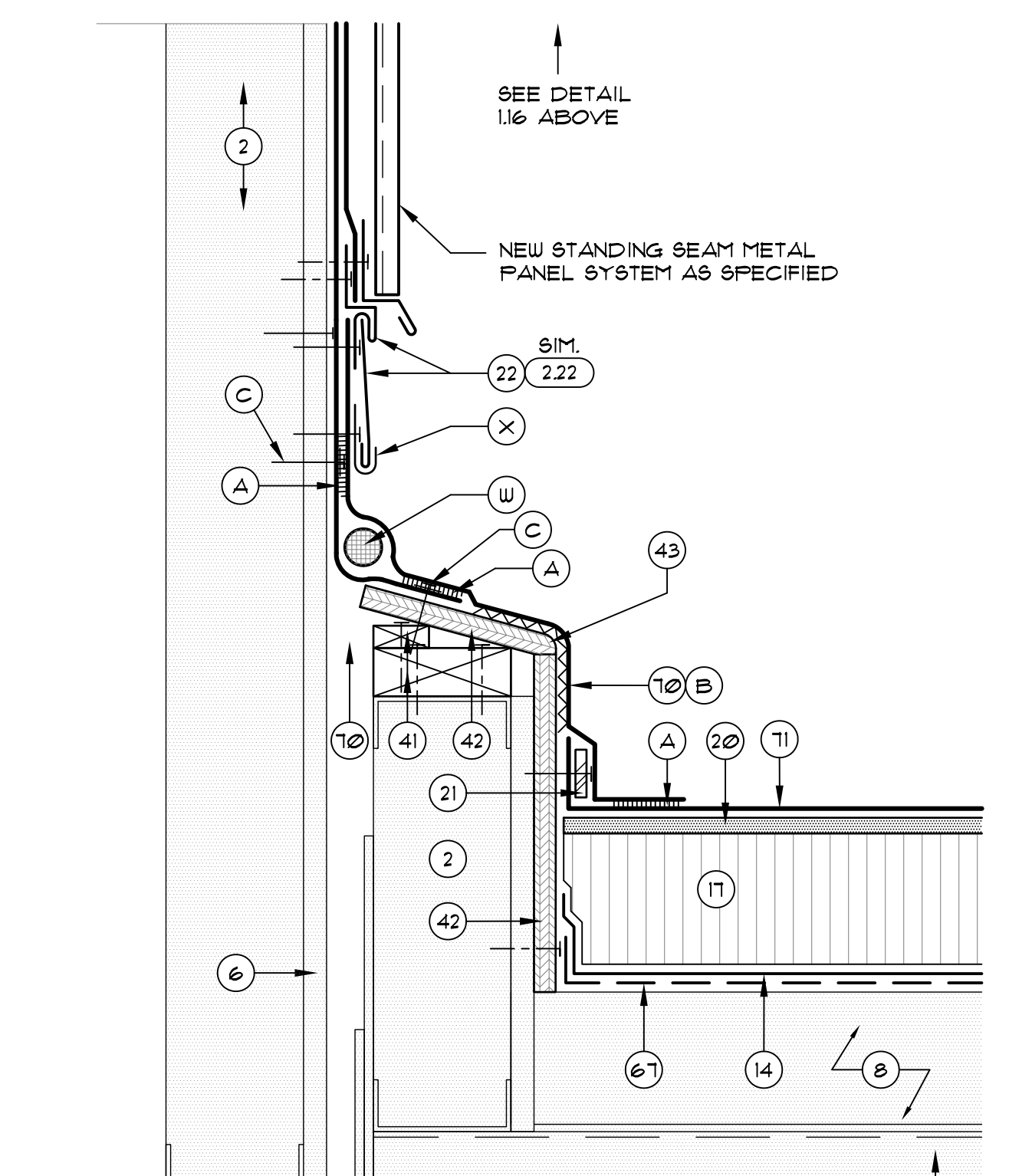
4.05 EXP. JT. FLASHING DETAIL BETWEEN SECTOR 2+3
SCALE: 3/4"=1'-0"



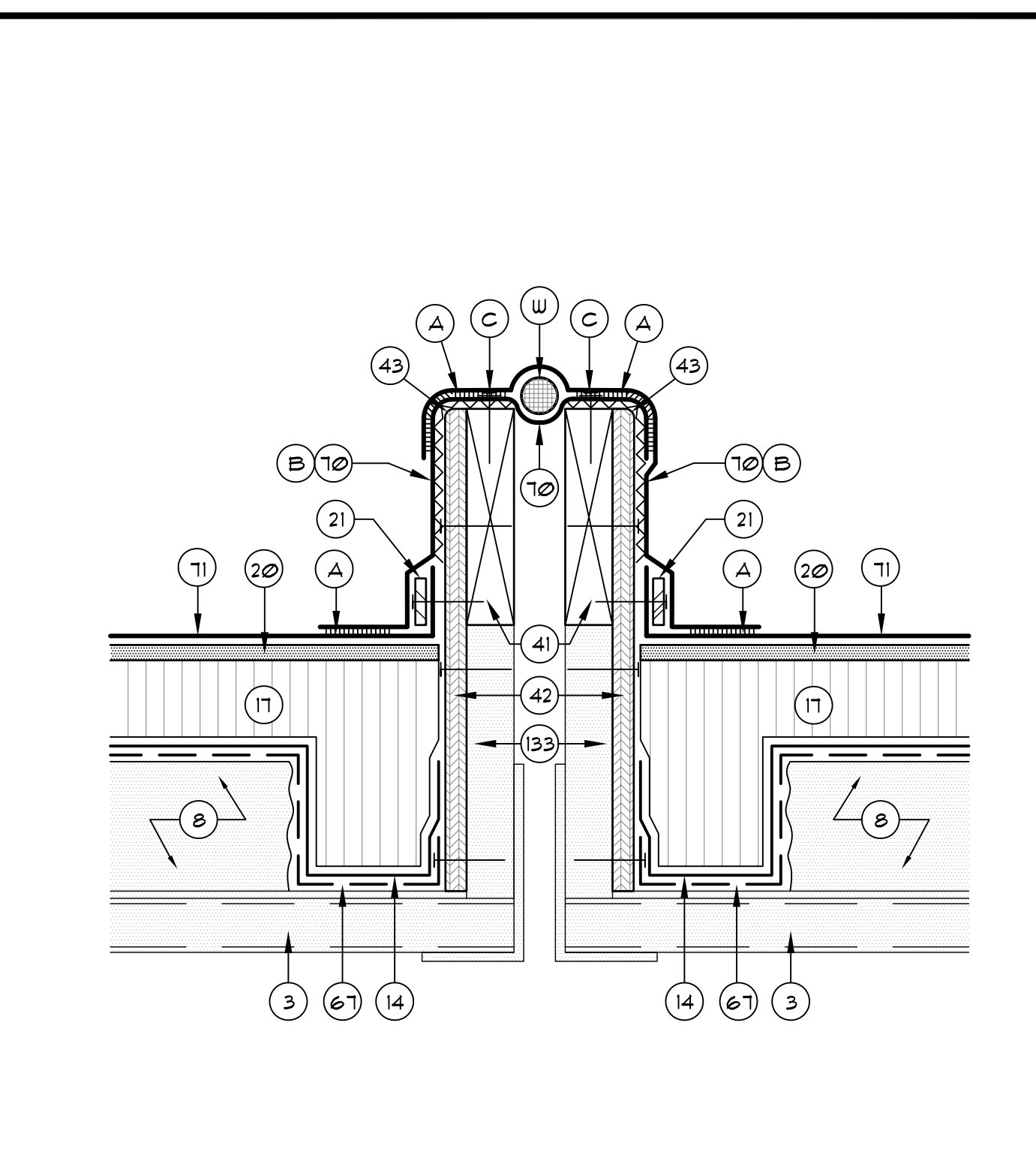
4.06 LARGE EXP. JT. FLASHING AT SECTOR 3
SCALE: 3/4"=1'-0"



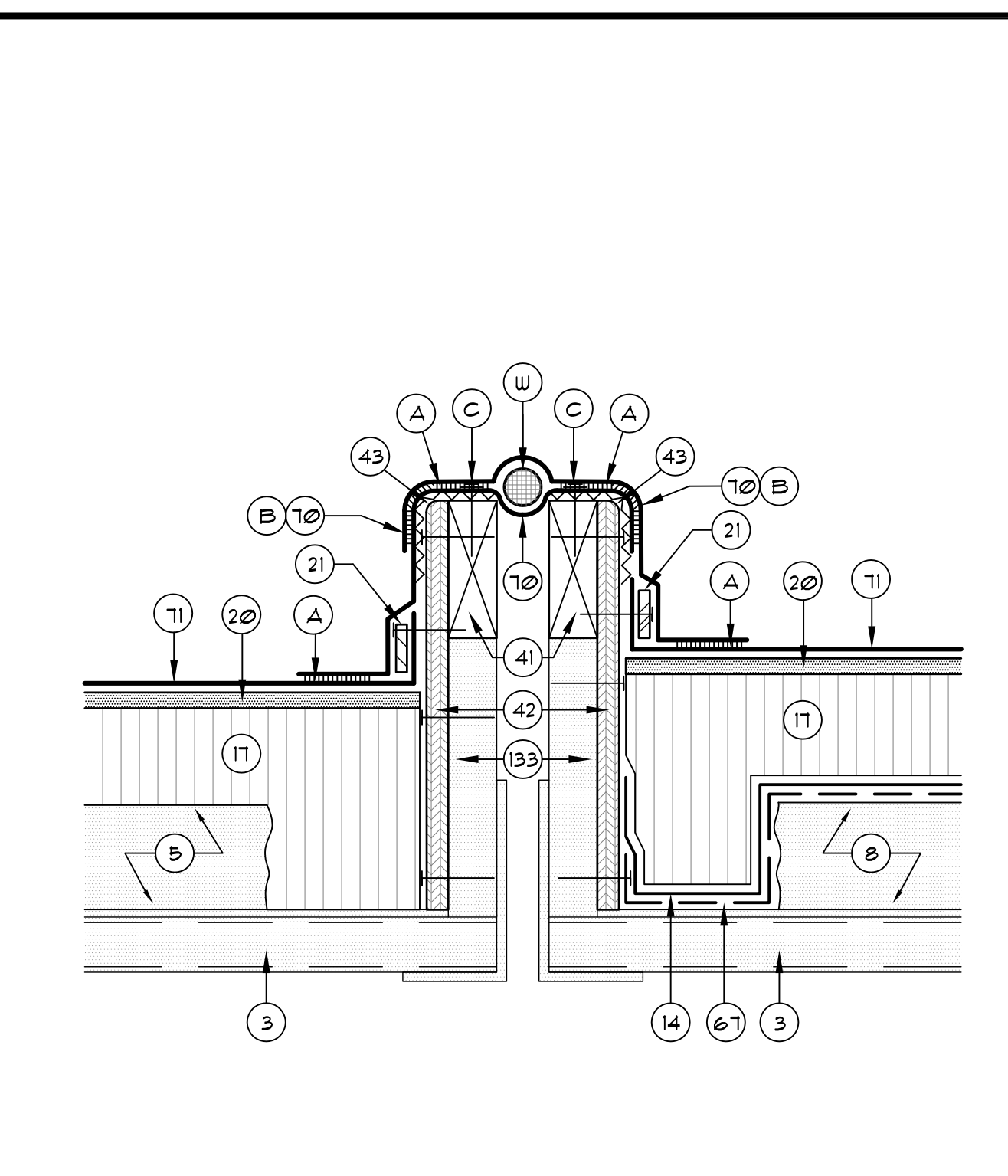
4.07 EXP. JT. FLASHING DETAIL AT ROOF 4/A
SCALE: 3/4"=1'-0"



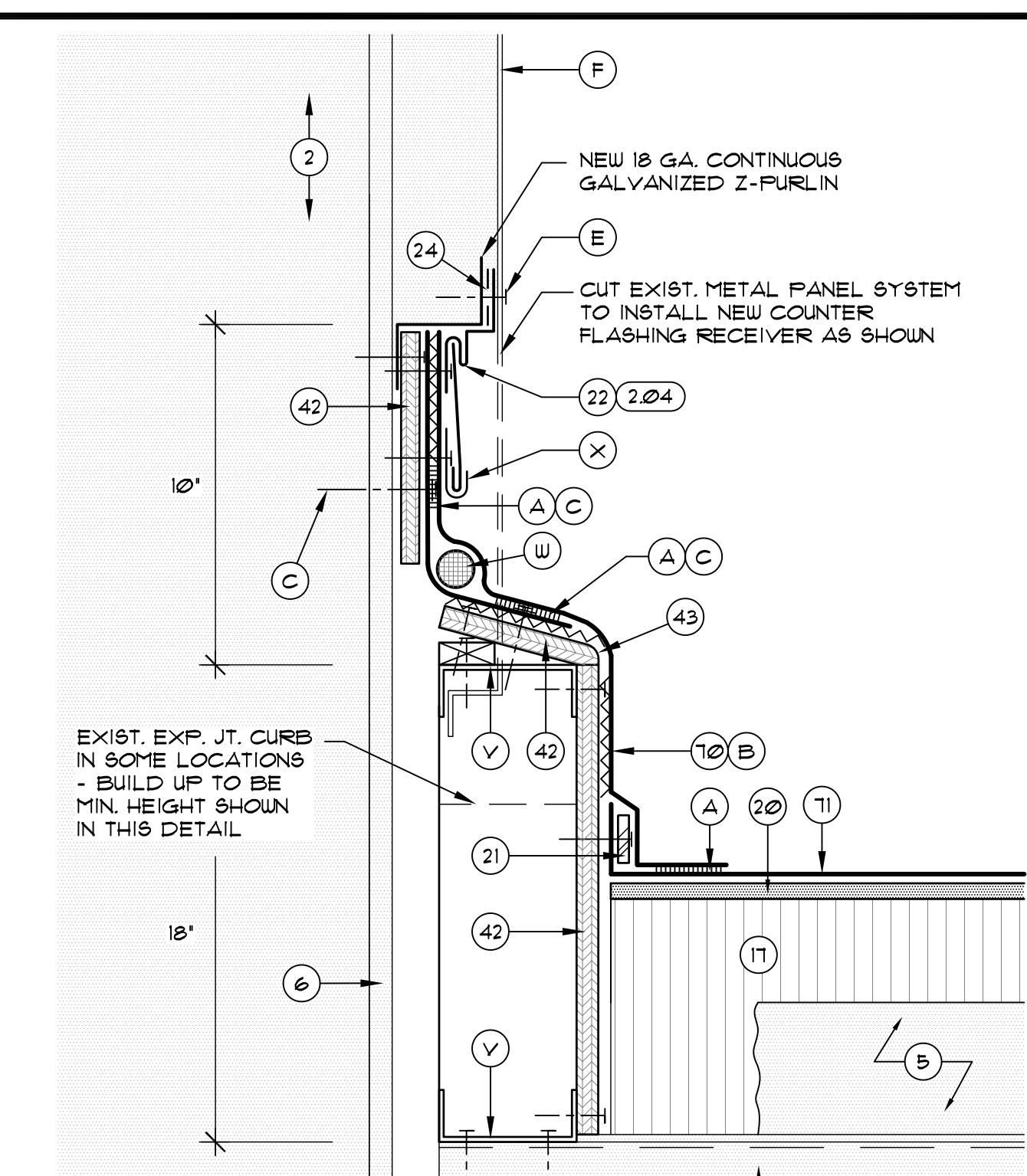
4.08 EXP. JT. AT BASE OF NEW PANEL SYSTEM
SCALE: 3/4"=1'-0"



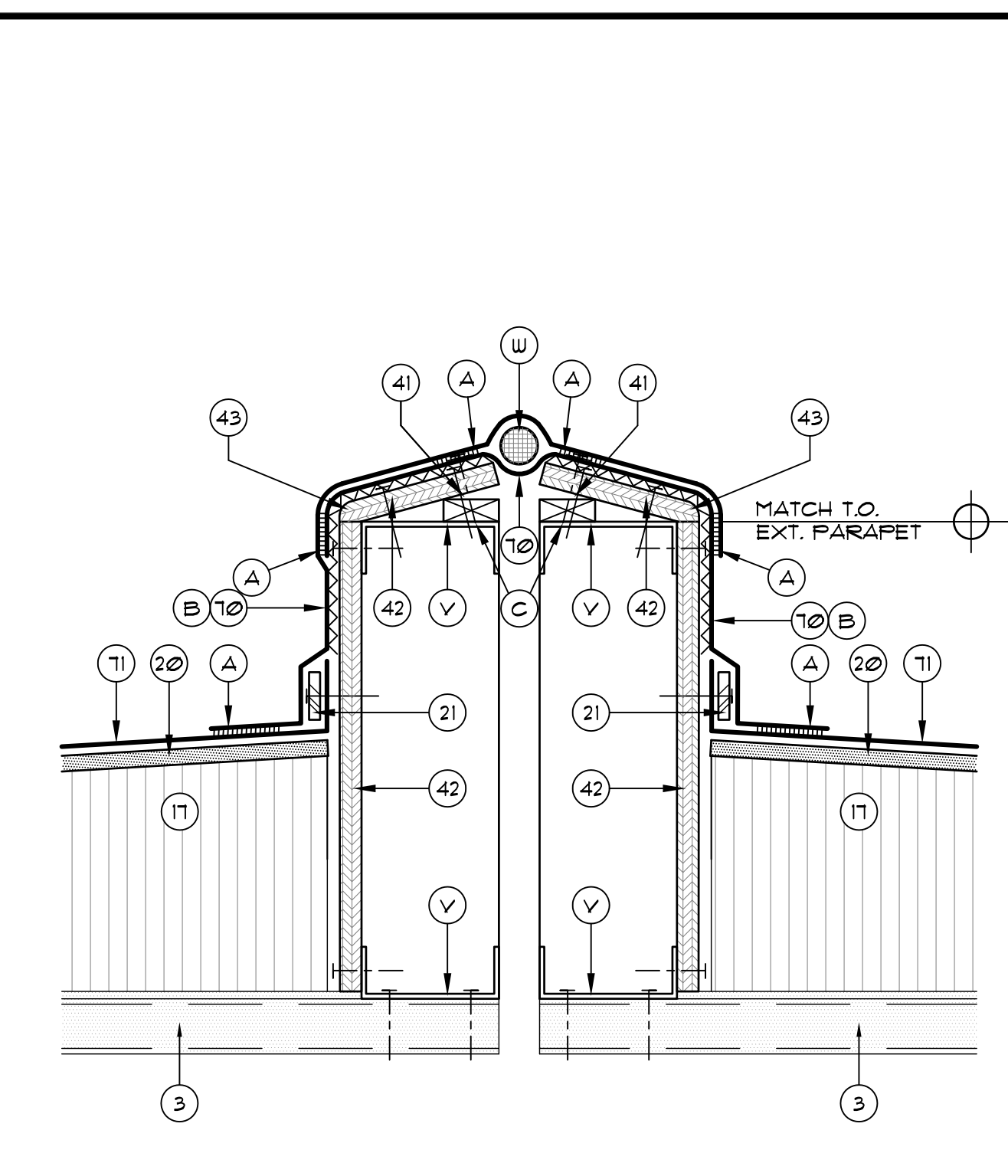
4.09 SMALL EXP. JT. FLASHING DETAIL AT SECTOR 4
SCALE: 3/4"=1'-0"



4.10 SMALL EXP. JT. FLASHING DETAIL BETWEEN ROOF 4/K + 4/J
SCALE: 3/4"=1'-0"



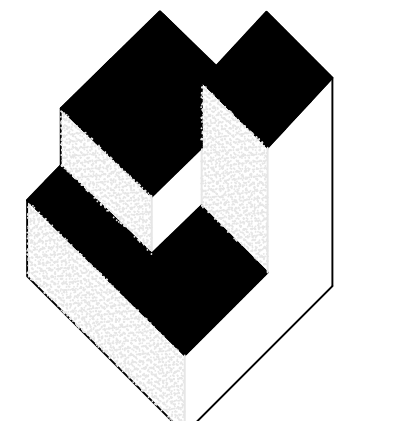
4.11 EXP. JT. AT AT BASE OF EXIST. METAL WALL PANELS
SCALE: 3/4"=1'-0"



4.12 TYP. EXP. JT. FLASHING DETAIL AT SECTOR 5+6
SCALE: 3/4"=1'-0"

DETAILS NOTES

1. EXIST. STRUCTURAL CONCRETE DECK
 2. EXIST. METAL STUD WALL
 3. EXISTING METAL DECK
 4. EXISTING PRECAST CONC. PANEL PARAPET
 5. EXIST. RIGID INSULATION TO REMAIN
 6. EXIST. SHEATHING TO REMAIN
 7. EXISTING PENETRATION - EXTEND AS REQ'D TO PROVIDE MIN HEIGHT INDICATED
 8. LIGHTWEIGHT INSULATION CONCRETE DECK
 9. EXISTING MECHANICAL EQUIPMENT
 10. EXISTING CURB TO REMAIN
 11. EXISTING CONCRETE/CMU BLOCK WALL
 14. PRELIMINARY ROOF
 16. BATT INSULATION
 17. NON-TAPERED RIGID INSULATION
 18. TAPERED RIGID INSULATION
 20. 1/2" GYPSUM ROOF BOARD
 21. SURFACE APPLIED TERMINATION BAR
 22. TWO-PIECE SURFACE APPLIED COUNTERFLASHING - SEE REFERENCED DETAIL
 23. SEALANT
 24. FLASHING TAPE
 32. CONTINUOUS CLEAT
 35. SCUPPER 4 DOWNSPOUT CONNECTION - SEE REFERENCED DETAIL
 36. NEW SCUPPER 4 CONDUCTOR HEAD W/ 2 BRACKETS - SEE REFERENCED DETAIL
 37. NEW SCUPPER - SEE REFERENCED DETAIL
 41. P.T. WOOD BLOCKING TO BE FASTENED AT 12" O.C. (MAX.) AND STAGGER - COUNTERSINK HEADS
 42. 3/4" FLYWOOD - SCREW FASTEN # 8" O.C. (MAX.) TOP 4 BOTTOM 4 STAGGER - COUNTERSINK HEADS
 43. ROUND OFF THIS EDGE
 44. NEW ROOF DRAIN - ADJUST ELEV. ABOVE DECK IN FIELD
 45. EXISTING STRUCTURE
 46. NEW OVERFLOW DRAIN
 48. TAPERED RIGID INSULATION BOARD SUMP
 53. 24 GA ST. STL. SKIRT METAL
 60. PARAPET COPING CAP - SEE REFERENCED DETAIL
 61. METAL EDGE DETAIL - SEE DETAIL
 67. VENTED BASE SHEET
 70. FLEXIBLE SHEET FLASHING
 71. FLEXIBLE SHEET MEMBRANE
 133. EXISTING WOOD BLOCKING TO REMAIN. REPLACE WHERE DAMAGED OR DETERIORATED
- A. HEAT WELD
 B. MFR APPROVED ADHESIVE
 C. FASTENER W/ STRESS PLATE
 D. MANUFACTURER'S APPROVED FLEECE REINFORCED LIQUID APPLIED FLASHING SYSTEM
 E. NEW ST. STL. FASTENER W/ NEOPRENE BACKED WASHER - BACK OUT EXIST. FASTENER AND REPLACE WITH ONE SIZE LARGER AT EXIST. LOCATIONS
 F. EXIST. METAL PANEL WALL SYS. TO REMAIN
 G. NEW UNDER DECK CLAMP
 H. DRAIN PIPE - INSTALL NEW AS REQ'D
 I. NEW STRAINER
 J. NEW CLAMPING RING
 K. NEW MFR'S STD. ADJUSTABLE HEIGHT COLLAR - ANCHOR TO DECK W/ 4-1/2" SCREWS
 L. INFILL AREA AS NEEDED W/ FOAM OR RIGID INSULATION
 M. PREFORMED STACK FLASHING
 N. STAINLESS STEEL DRAW BAND
 O. PROVIDE NEW 18 GA GALV. FRAMING AT PERIMETER OF SCUPPER FOR SUPPORT THROUGH WALL SYSTEM
 P. BRACE EXIST. METAL PANEL OPENING W/ NEW 18 GA GALV. FRAMING AT PERIMETER OF EXIST. SCUPPER OPENING
 Q. ST. STL. DRIVE PIN FASTENER W/ NEOPRENE BACKED METAL WASHER # 8" O.C.
 R. EXISTING STUCCO
 S. ANCHOR STRAPS PER REFERENCED DETAIL
 T. NEW CLAMPING RING WITH RAISED HUB
 U. 24 GA ST. STL. DRAIN COVER - ATTACH TO TOP OF STRAINER
 V. INSTALL NEW 2"x6" METAL FRAME PARAPET WITH SPACING # 16" O.C.
 W. EXPANSION JOINT FILLER - CLOSED CELL POLYETHYLENE TUBING.
 X. 3" WIDE 26 GA ST. STL. RETAINER CLEATS # 18" O.C. - ANCHOR W/ 2 FASTENERS EACH - BEND UP IN FIELD TO SECURE SKIRT METAL



A/R/C
Associates
Incorporated

Architecture
Roof Consulting
Construction Technology
LIC. NBR AAC000932
601 North Fern Creek Avenue
Suite 100 Orlando, FL
32803-4899
Tel. (407) 896-7875
Fax. (407) 898-6043
COPYRIGHT © A/R/C ASSOCIATES, INC.

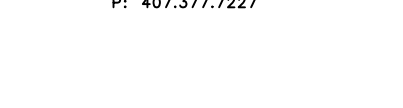
JAMES W. RIPLEY AR-001798
ROBERT J. WILLIAMS AR-007984

REVISIONS

| NO. | DATE | BY: |
|-----|------|-----|
| | | |



935 Lake Baldwin Lane
Orlando, FL 32814
Tel. 407-767-5188
Fax. 407-767-5772
www.sgmengineering.com
Copyright © 2014 SGM Engineering, Inc.



1714 EAST GINGERBREAD STREET
ORLANDO, FLORIDA 32803
P. 407-377-7227

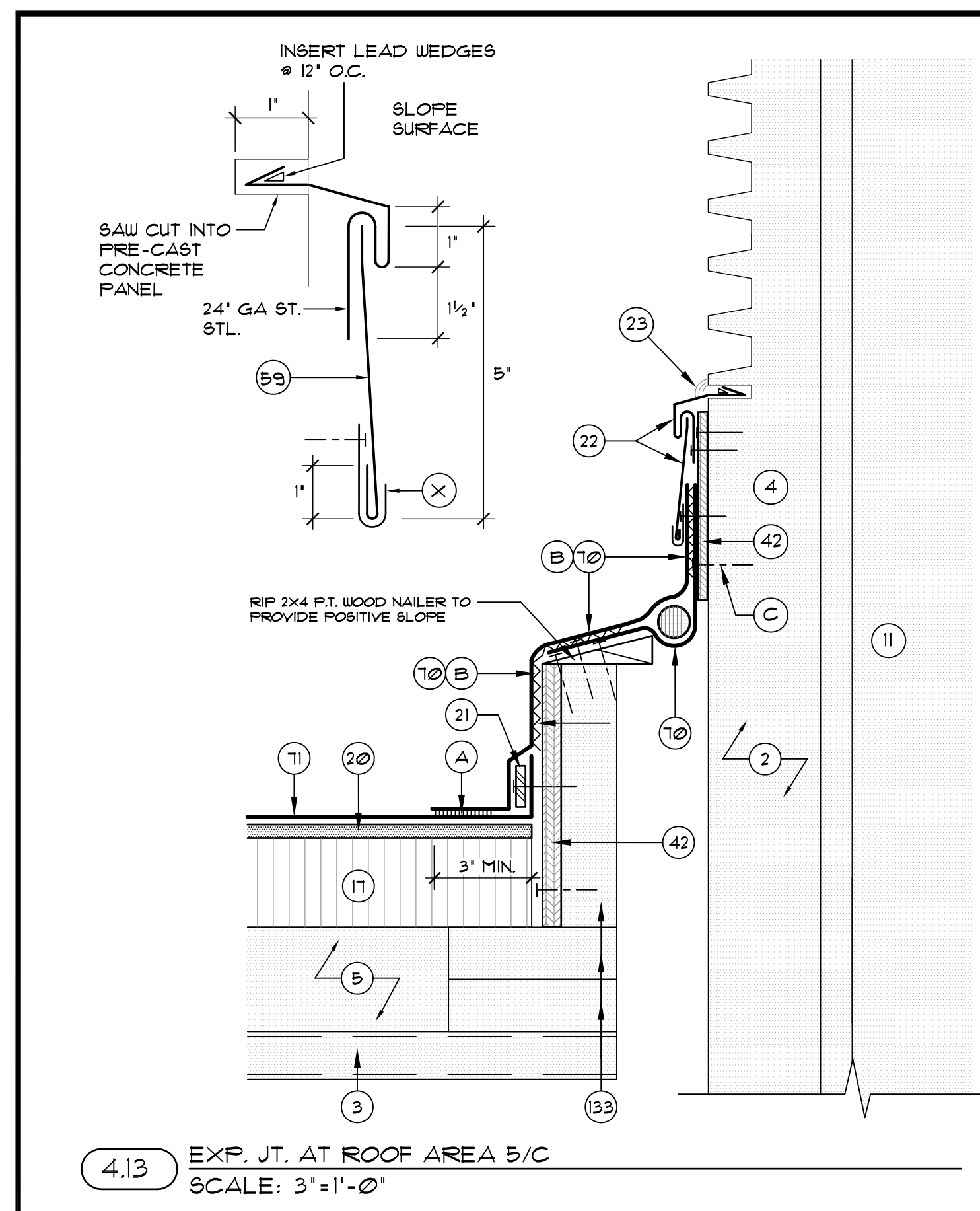
DESIGNATED REPAIRS AND REPLACEMENT OF:
OCCC WEST BLDG ROOF REPLACEMENT
ORANGE COUNTY CONVENTION CENTER
9800 INTERNATIONAL DRIVE, ORLANDO, FL 32819

JOB NO.: 16032.00
DRAWN BY: TAH
CHECKED BY: JJW
DATE: 05-08-2017
SCALE: NTS
PLOT SCALE:

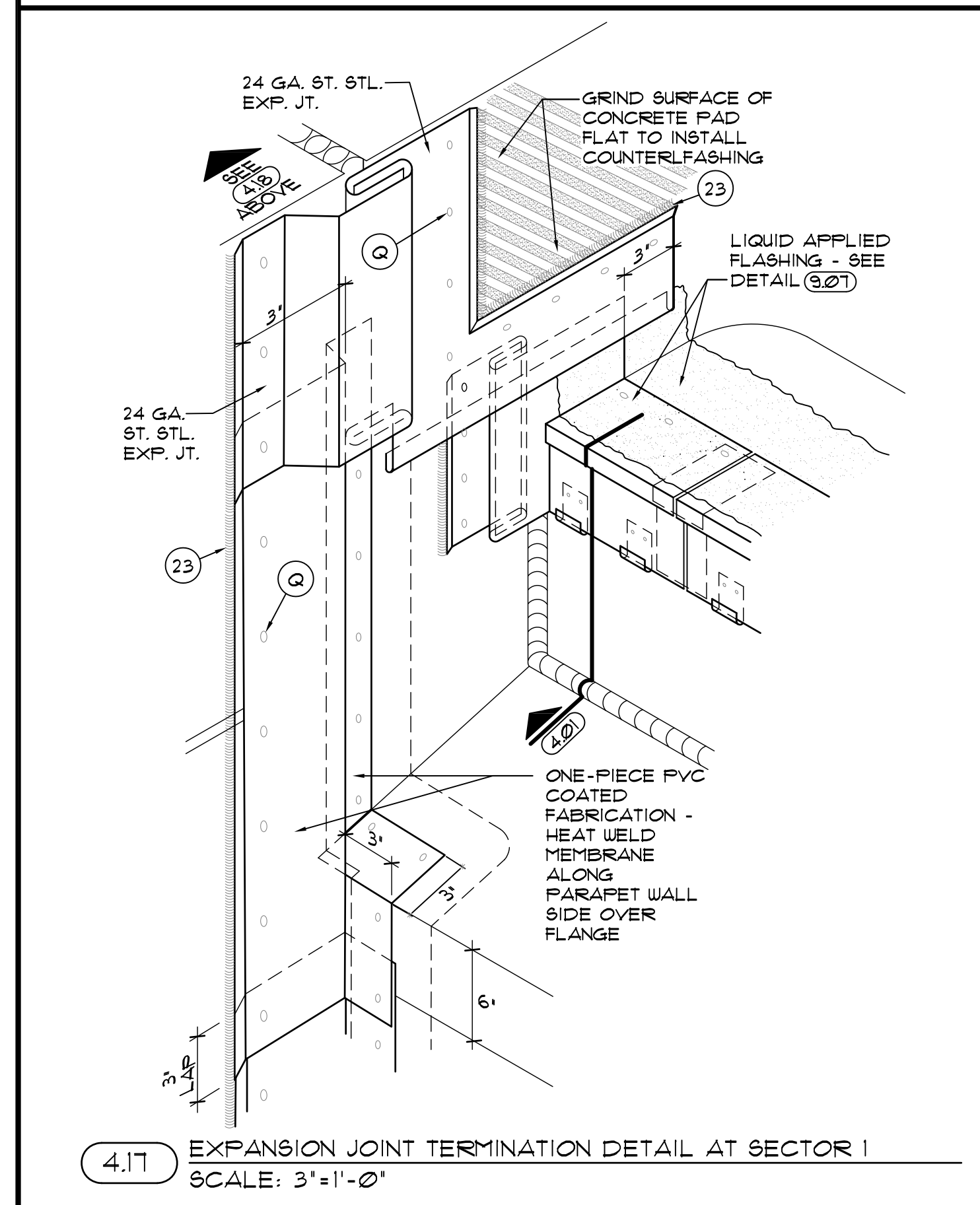
R401

SHEET NO.:
43 OF 105 SHEET(S)

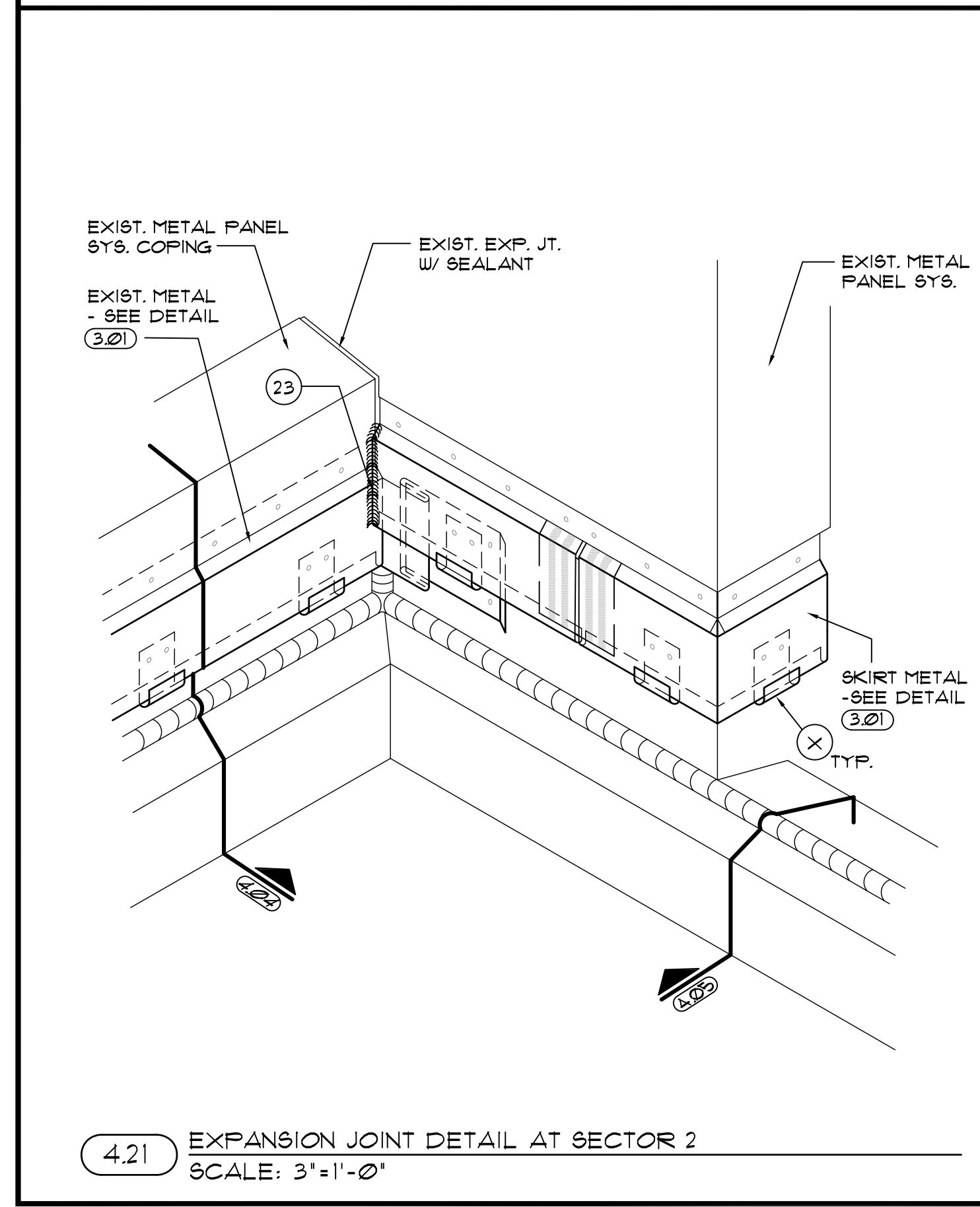
DETAILS 4.01 THRU 4.12



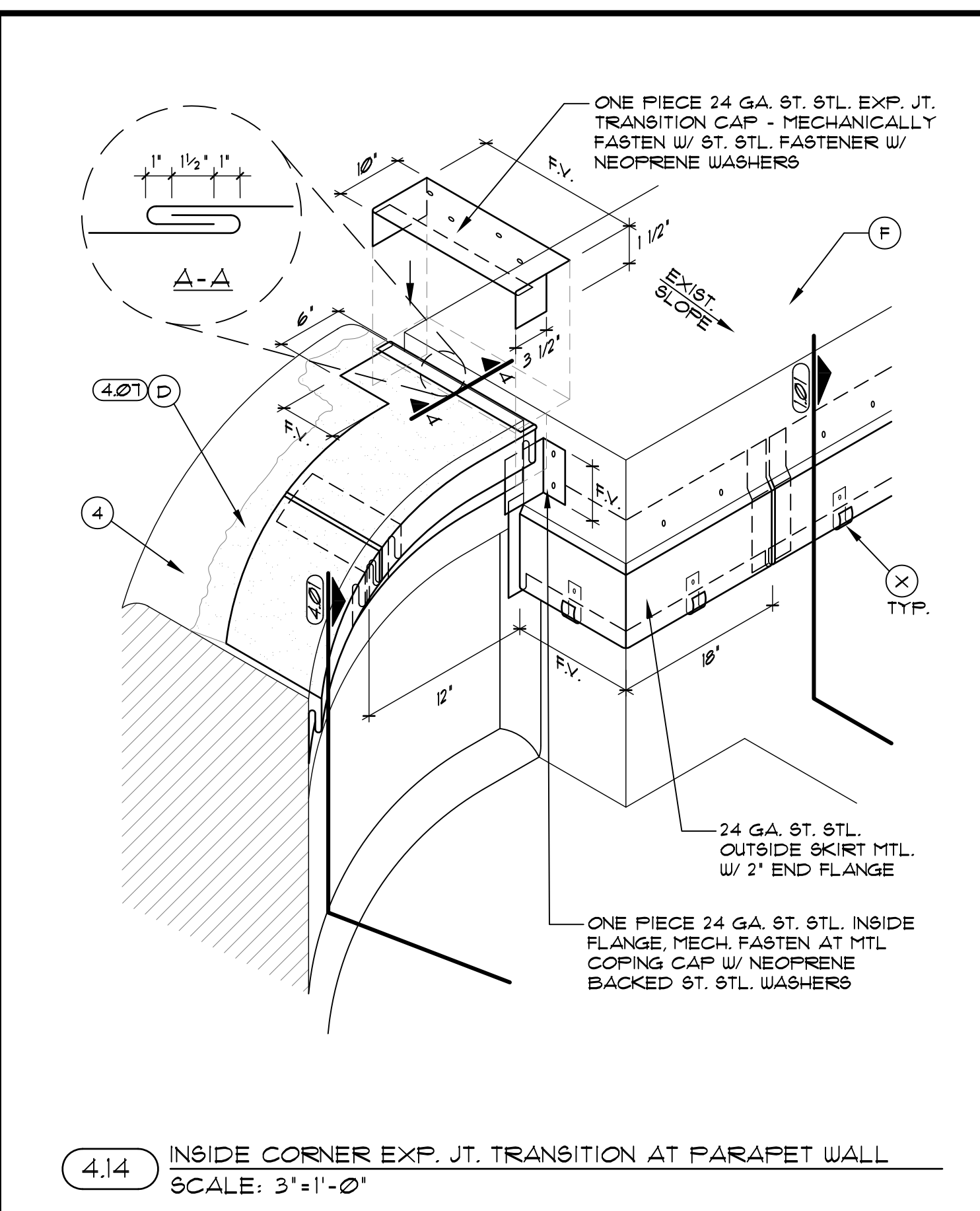
4.13 EXP. JT. AT ROOF AREA 5/C
SCALE: 3/4"=1'-0"



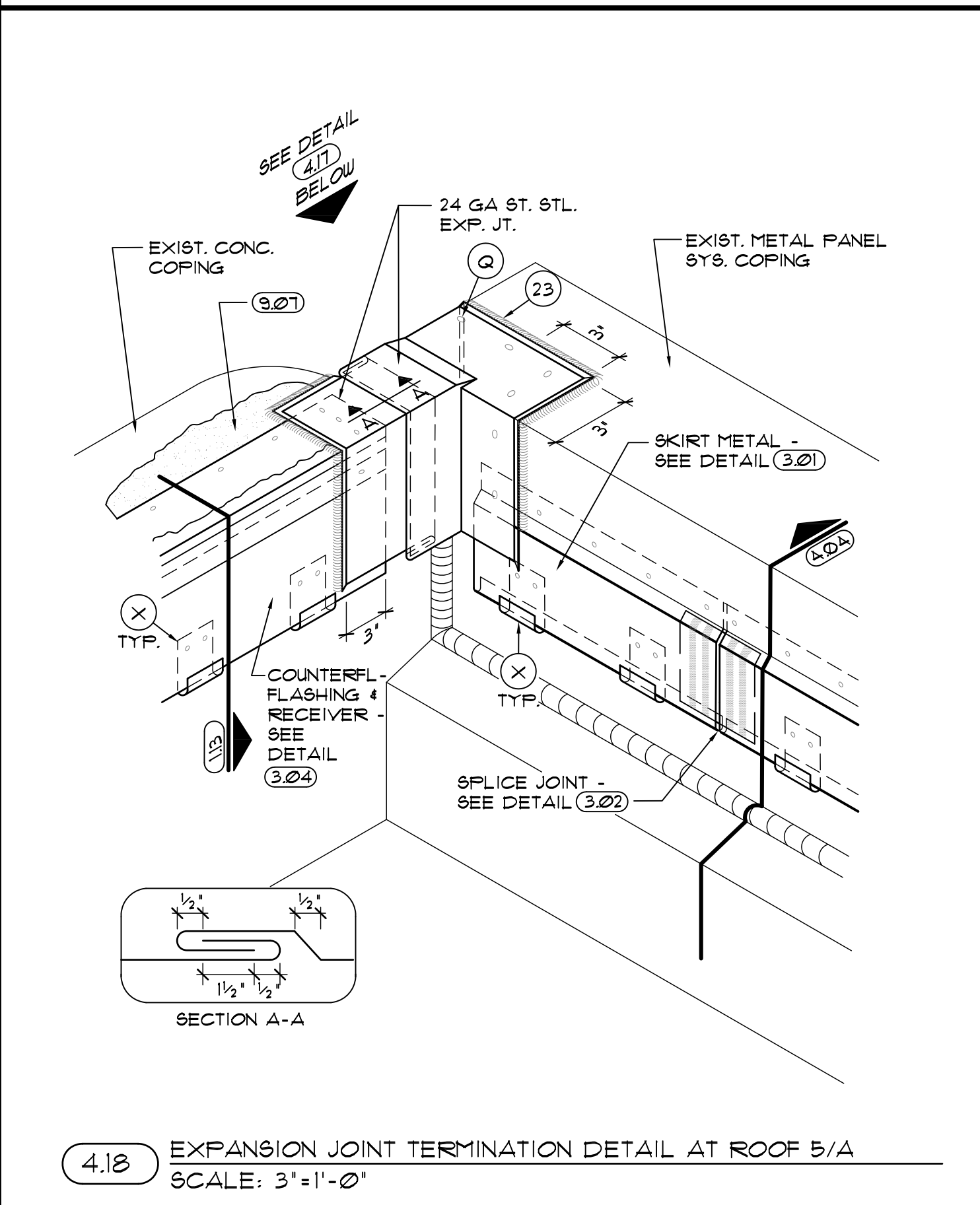
4.17 EXPANSION JOINT TERMINATION DETAIL AT SECTOR 1
SCALE: 3/4"=1'-0"



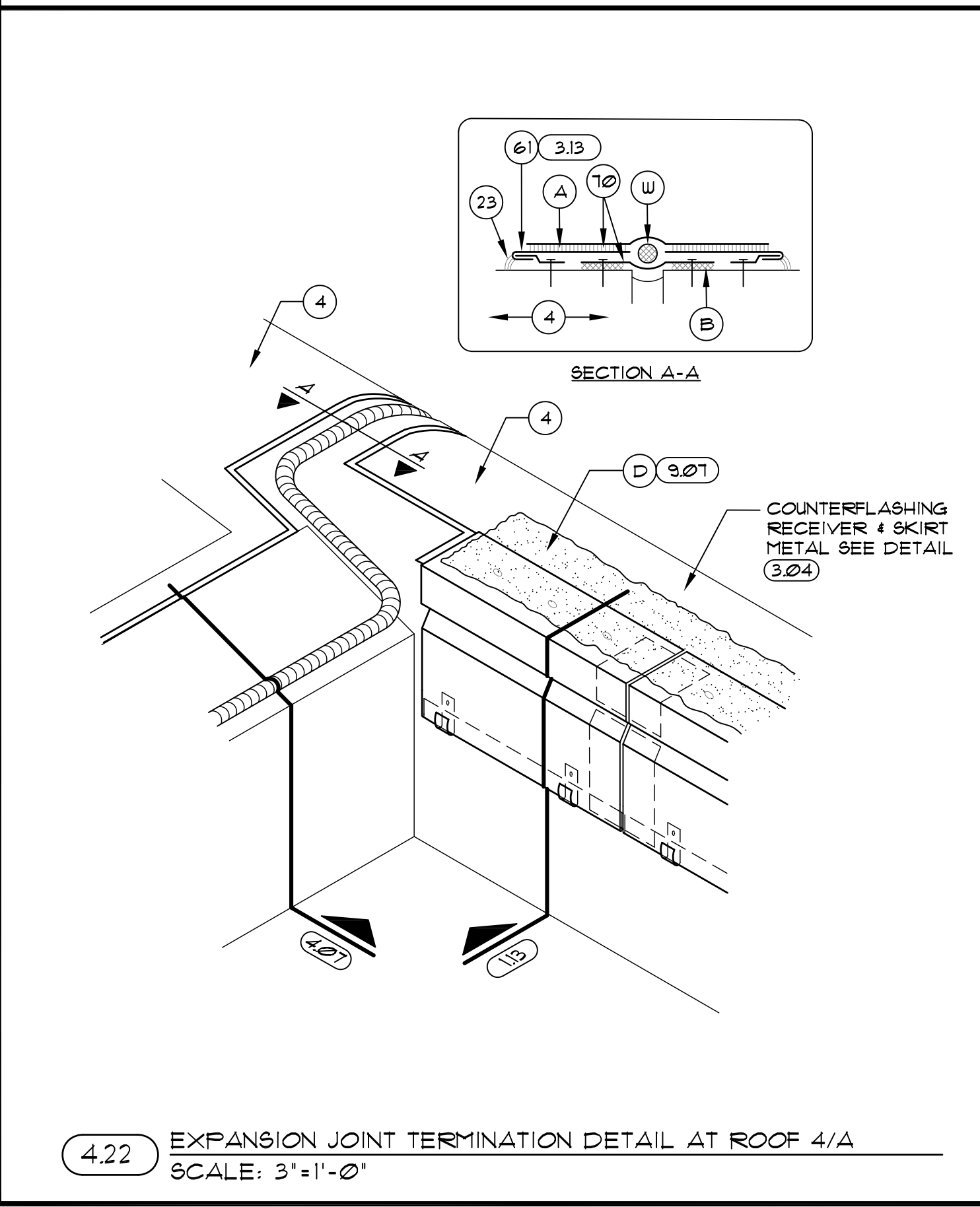
4.21 EXPANSION JOINT DETAIL AT SECTOR 2
SCALE: 3/4"=1'-0"



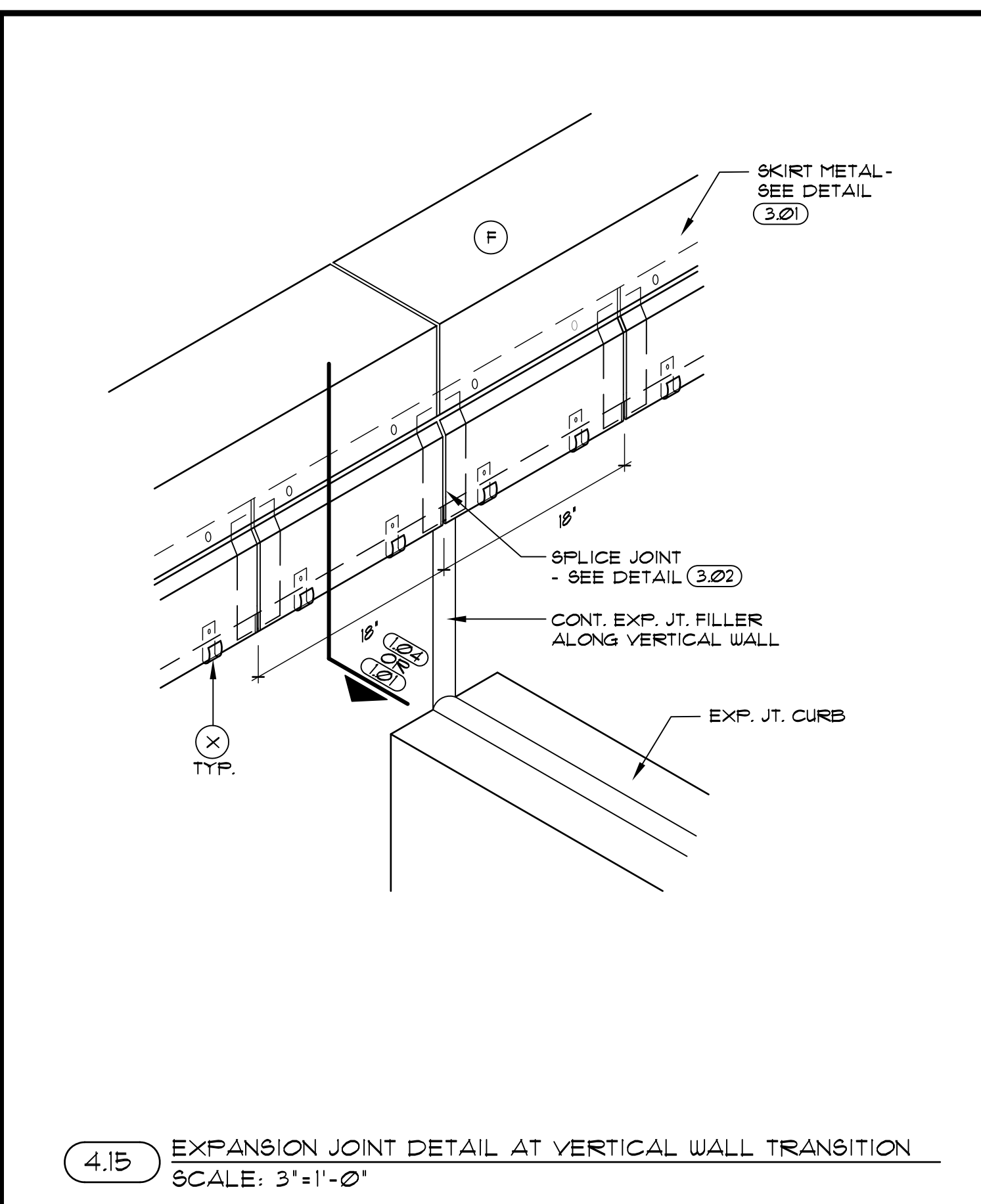
4.14 INSIDE CORNER EXP. JT. TRANSITION AT PARAPET WALL
SCALE: 3/4"=1'-0"



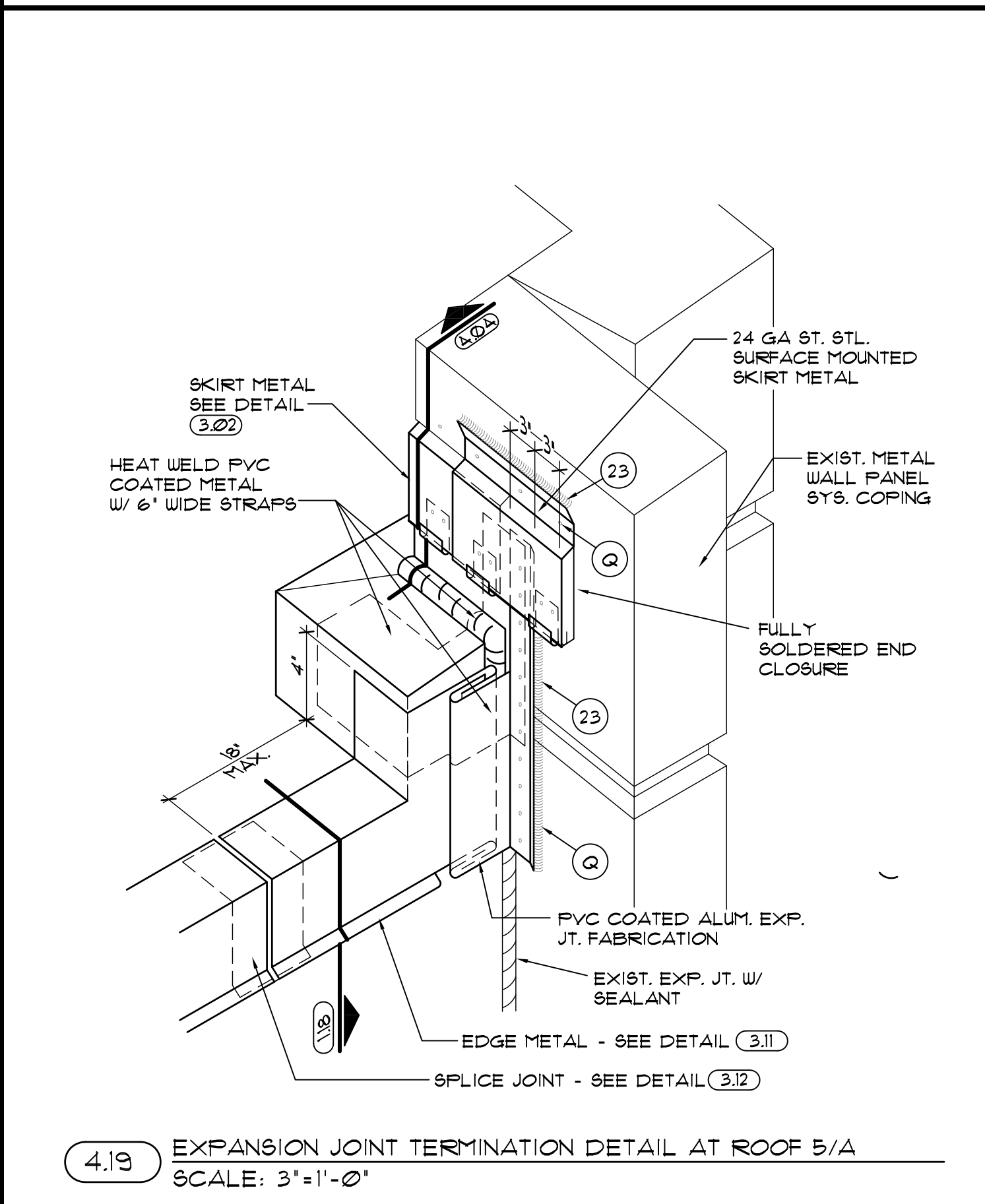
4.18 EXPANSION JOINT TERMINATION DETAIL AT ROOF 5/A
SCALE: 3/4"=1'-0"



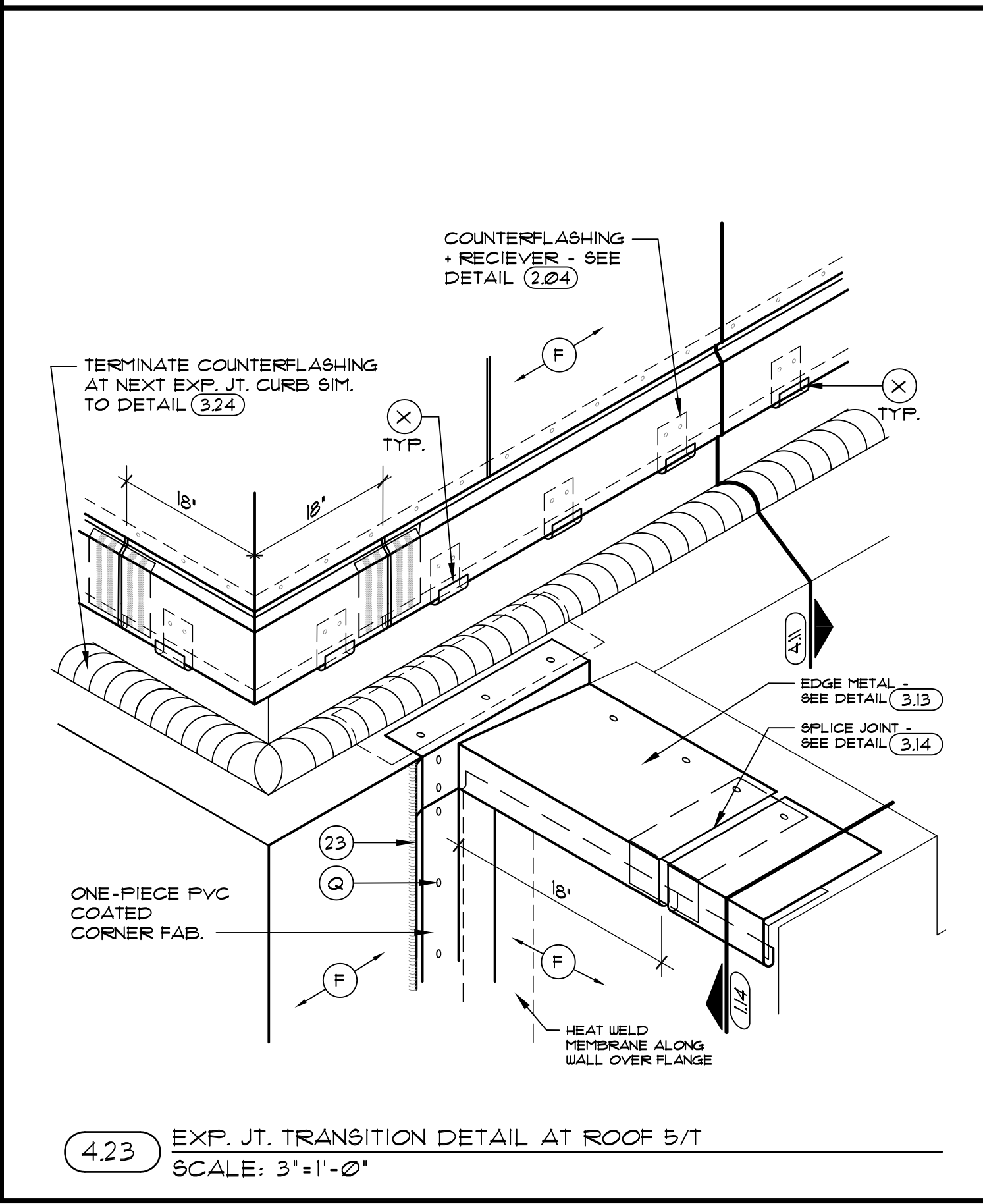
4.22 EXPANSION JOINT TERMINATION DETAIL AT ROOF 4/A
SCALE: 3/4"=1'-0"



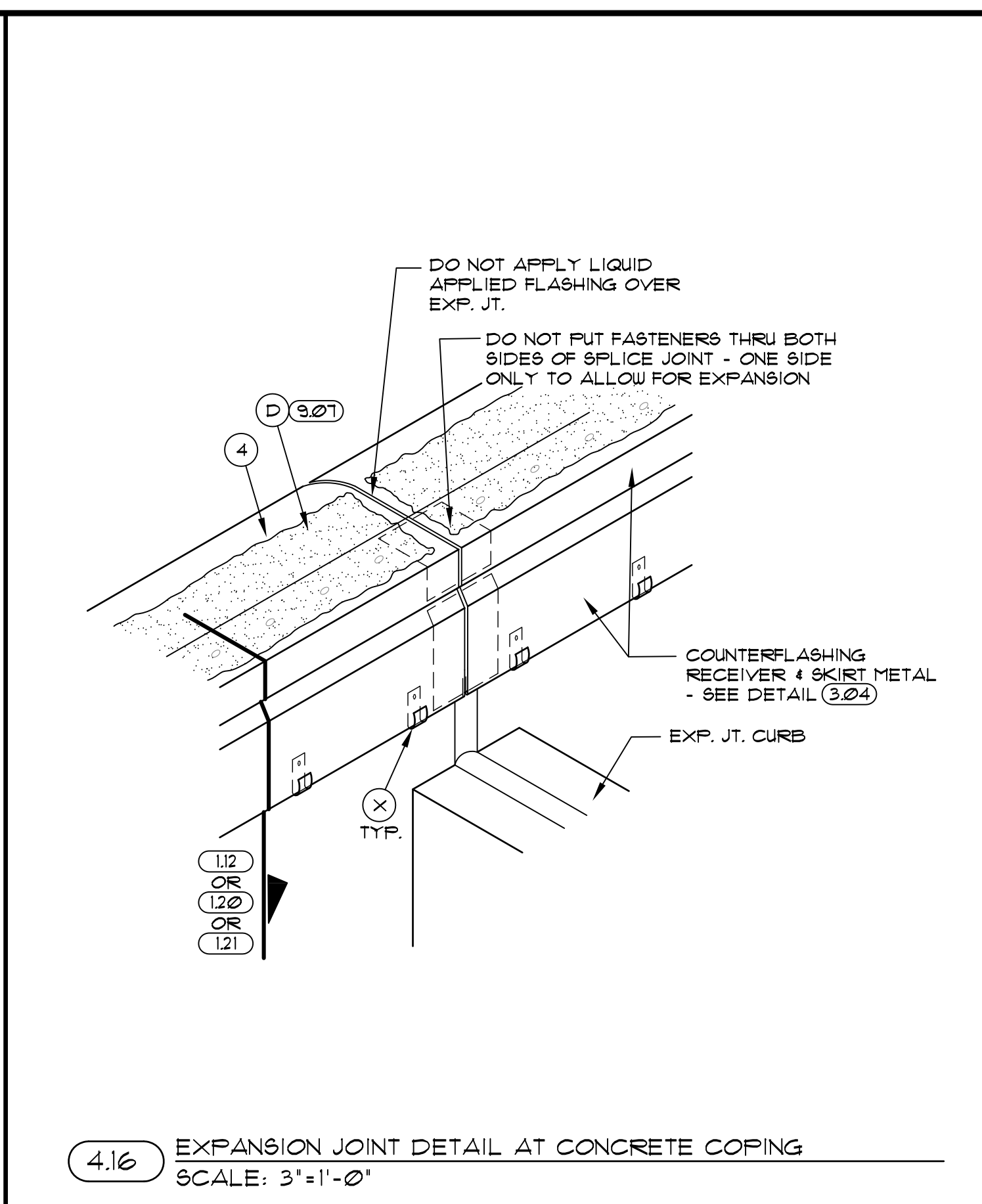
4.15 EXPANSION JOINT DETAIL AT VERTICAL WALL TRANSITION
SCALE: 3/4"=1'-0"



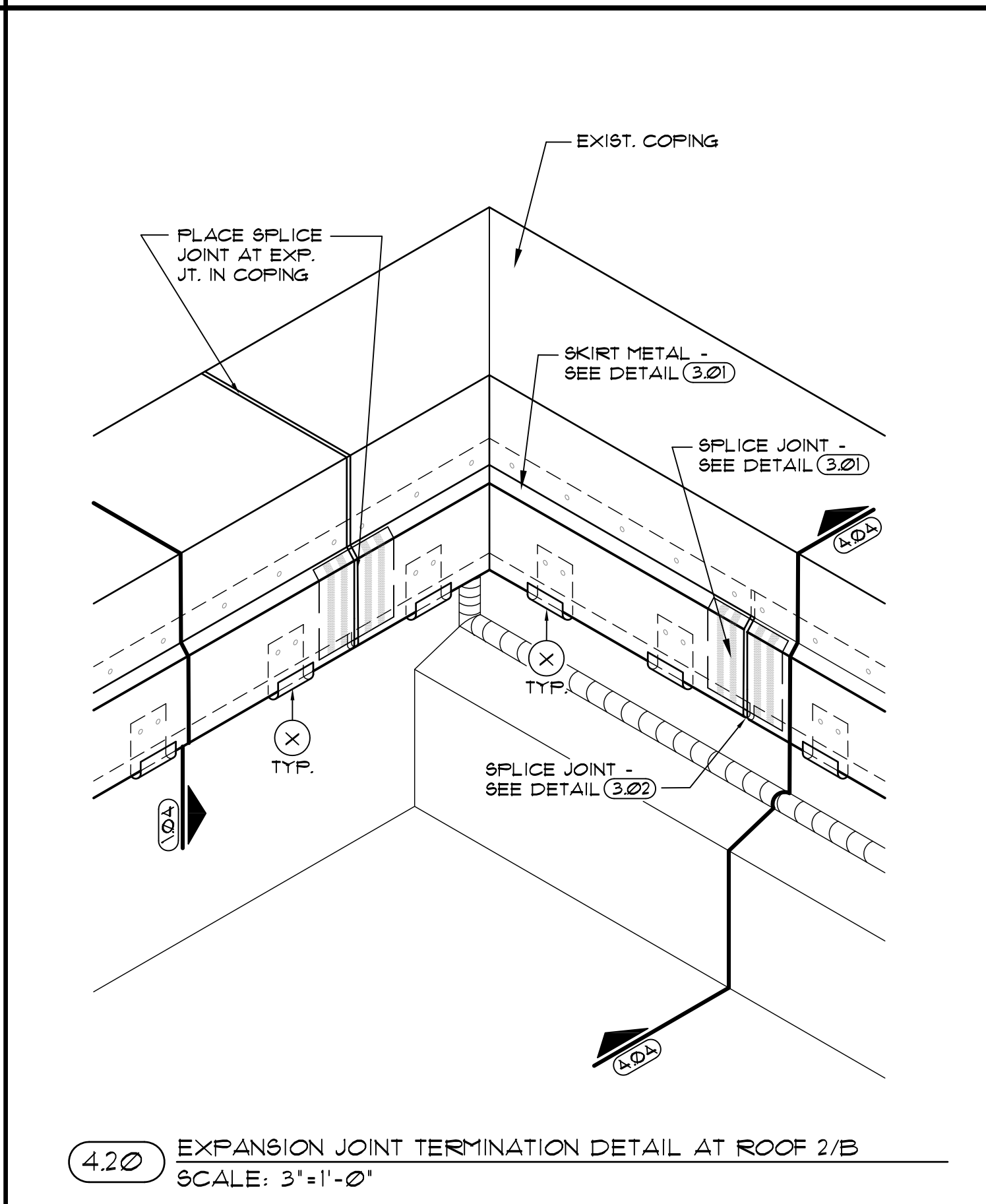
4.19 EXPANSION JOINT TERMINATION DETAIL AT ROOF 5/A
SCALE: 3/4"=1'-0"



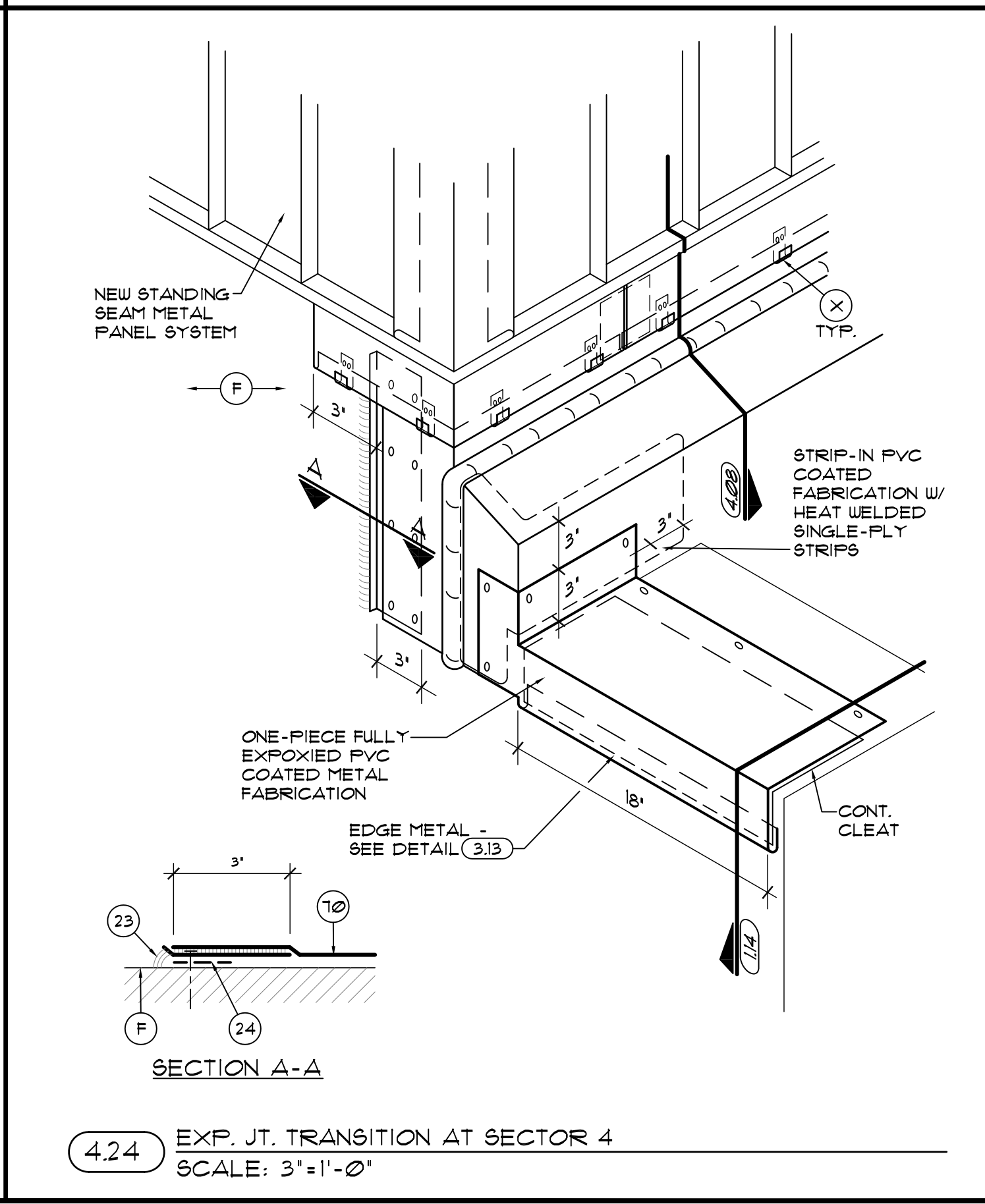
4.23 EXP. JT. TRANSITION DETAIL AT ROOF 5/T
SCALE: 3/4"=1'-0"



4.16 EXPANSION JOINT DETAIL AT CONCRETE COPING
SCALE: 3/4"=1'-0"



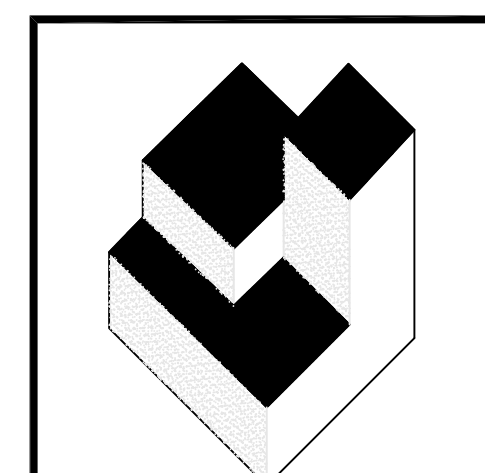
4.20 EXPANSION JOINT TERMINATION DETAIL AT ROOF 2/B
SCALE: 3/4"=1'-0"



4.24 EXP. JT. TRANSITION AT SECTOR 4
SCALE: 3/4"=1'-0"

DETAILS NOTES

1. EXISTING STRUCTURAL CONCRETE DECK
 2. EXIST. METAL STUD WALL
 3. EXISTING METAL DECK
 4. EXISTING PRECAST CONC. PANEL PARAPET
 5. EXIST. RIGID INSULATION TO REMAIN
 6. EXIST. SHEATHING TO REMAIN
 7. EXISTING PENETRATION - EXTEND AS REQ'D TO PROVIDE MIN HEIGHT INDICATED
 8. LIGHTWEIGHT INSULATION CONCRETE DECK
 9. EXISTING MECHANICAL EQUIPMENT
 10. EXISTING CURB TO REMAIN
 11. EXISTING CONCRETE/CMU BLOCK WALL
 14. PRELIMINARY ROOF
 16. BATT INSULATION
 17. NON-TAPERED RIGID INSULATION
 18. TAPERED RIGID INSULATION
 20. 1/2" GYPSUM ROOF BOARD
 21. SURFACE APPLIED TERMINATION BAR
 22. TWO-PIECE SURFACE APPLIED COUNTERFLASHING - SEE REFERENCED DETAIL
 23. SEALANT
 24. FLASHING TAPE
 32. CONTINUOUS CLEAT
 35. SCUPPER 4 DOWNSPOUT CONNECTION - SEE REFERENCED DETAIL
 36. NEW SCUPPER 4 CONDUCTOR HEAD W/ 2 BRACKETS - SEE REFERENCED DETAIL
 37. NEW SCUPPER - SEE REFERENCED DETAIL
 41. P.T. WOOD BLOCKING TO BE FASTENED AT 12" O.C. (MAX.) AND STAGGER - COUNTERSINK HEADS
 42. 3/4" FLYWOOD - SCREW FASTEN @ 8" O.C. (MAX.) TOP 4 BOTTOM 4 STAGGER - COUNTERSINK HEADS
 43. ROUND OFF THIS EDGE
 44. NEW ROOF DRAIN - ADJUST ELEV. ABOVE DECK IN FIELD
 45. EXISTING STRUCTURE
 46. NEW OVERFLOW DRAIN
 48. TAPERED RIGID INSULATION BOARD SUMP
 59. 24 GA ST. STL. SKIRT METAL
 60. PARAPET COPING CAP - SEE REFERENCED DETAIL
 61. METAL EDGE DETAIL - SEE DETAIL
 67. VENTED BASE SHEET
 70. FLEXIBLE SHEET FLASHING
 71. FLEXIBLE SHEET MEMBRANE
 133. EXISTING WOOD BLOCKING TO REMAIN. REPLACE WHERE DAMAGED OR DETERIORATED
- A. HEAT WELD
B. MFR APPROVED ADHESIVE
C. FASTENER W/ STRESS PLATE
D. MANUFACTURER'S APPROVED FLEECE REINFORCED LIQUID APPLIED FLASHING SYSTEM
E. NEW ST. STL. FASTENER W/ NEOPRENE BACKED WASHER - BACK OUT EXIST. FASTENER AND REPLACE WITH ONE SIZE LARGER AT EXIST. LOCATION
F. EXIST. METAL PANEL WALL SYS. TO REMAIN
G. NEW UNDER DECK CLAMP
H. DRAIN PIPE - INSTALL NEW AS REQ'D
I. NEW STRAINER
J. NEW CLAMPING RING
K. NEW MFR'S STD. ADJUSTABLE HEIGHT COLLAR - ANCHOR TO DECK W/ 4-1/2" SCREWS
L. INFILL AREA AS NEEDED W/ FOAM OR RIGID INSULATION
M. PREFORMED STACK FLASHING
N. STAINLESS STEEL DRAW BAND
O. PROVIDE NEW 18 GA GALV. FRAMING AT PERIMETER OF SCUPPER FOR SUPPORT THROUGH WALL SYSTEM
P. BRACE EXIST. METAL PANEL OPENING W/ NEW 18 GA GALV. FRAMING AT PERIMETER OF EXIST. SCUPPER OPENING
Q. ST. STL. DRIVE PIN FASTENER W/ NEOPRENE BACKED METAL WASHER @ 8" O.C.
R. EXISTING STUCCO
S. ANCHOR STRAPS PER REFERENCED DETAIL
T. NEW CLAMPING RING WITH RAISED HUB
U. 24 GA ST. STL. DRAIN COVER - ATTACH TO TOP OF STRAINER
V. INSTALL NEW 2"x6" METAL FRAME PARAPET WITH SPACING @ 16" O.C.
W. EXPANSION JOINT FILLER - CLOSED CELL POLYETHYLENE TUBING.
X. 3" WIDE 26 GA ST. STL. RETAINER CLEATS @ 18" O.C. - ANCHOR W/ 2 FASTENERS EACH - BEND UP IN FIELD TO SECURE SKIRT METAL



A/R/C
Associates
Incorporated

Architecture
Roof Consulting
Construction Technology
L.L.C. NBR AAC000932
601 North Fern Creek Avenue
Suite 100 Orlando, FL
32805-4899
Tel. (407) 896-7875
Fax. (407) 898-6043
Copyright © A/R/C ASSOCIATES, INC.

JAMES W. RIPLEY AR-0017780
JOSEPH J. WILLIAMS AR-0079984

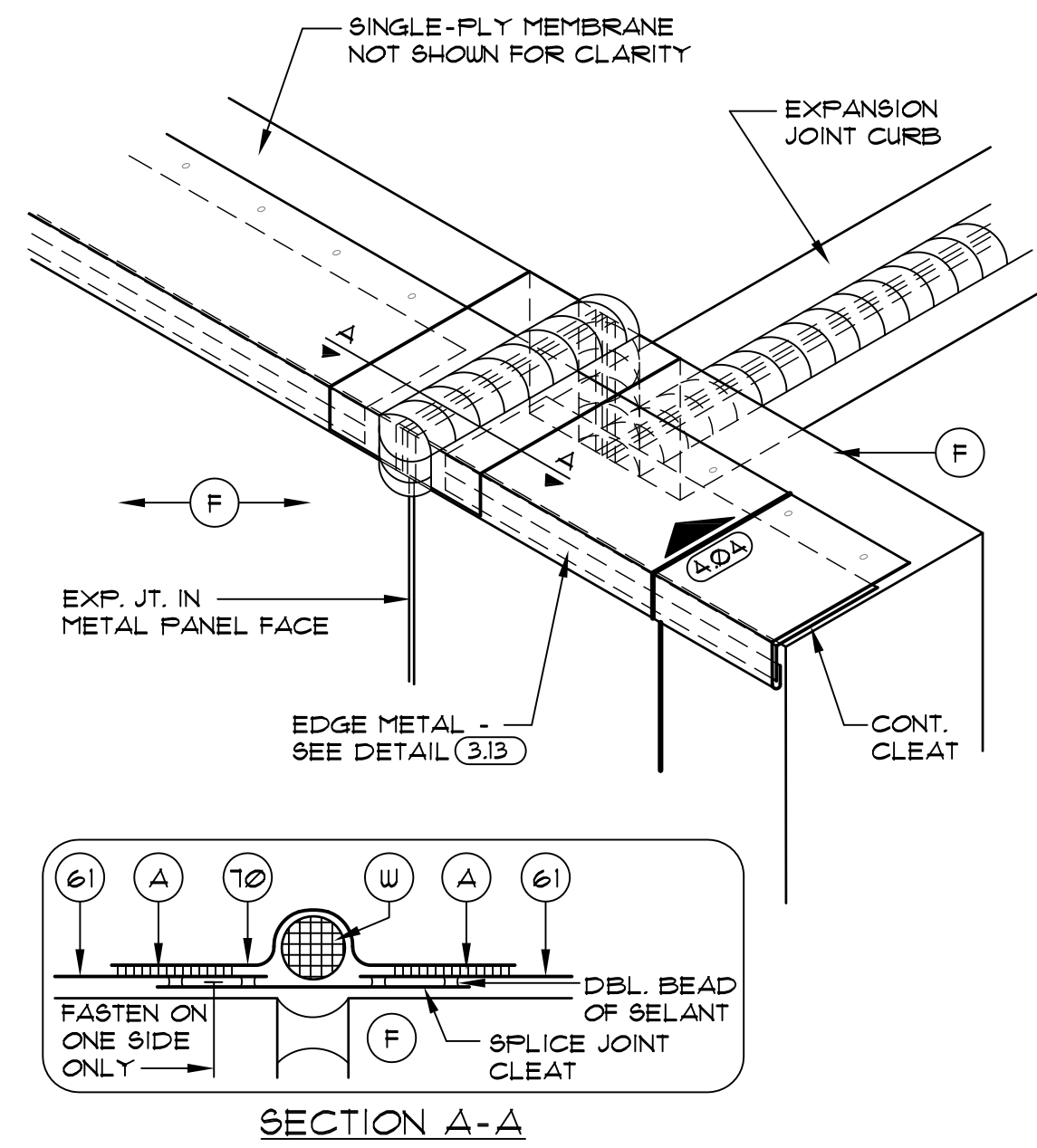
| REVISIONS | | |
|-----------|------|-----|
| NO. | DATE | BY: |
| | | |
| | | |

SGMA
ENGINEERING
MEP CONSULTING ENGINEERS
935 Lake Baldwin Lane
Orlando, FL 32814
Tel. 407-767-5188
Fax. 407-767-5772
www.sgmaengineering.com
Copyright © 2014 SGM Engineering, Inc.

BASE
Engineering & Construction
1701 EAST GORING STREET
ORLANDO, FLORIDA 32835
Tel. 407-377-7277

DESIGNATED REPAIRS AND REPLACEMENT OF:
OCCC WEST BLDG ROOF REPLACEMENT
ORANGE COUNTY CONVENTION CENTER
9800 INTERNATIONAL DRIVE, ORLANDO, FL 32819

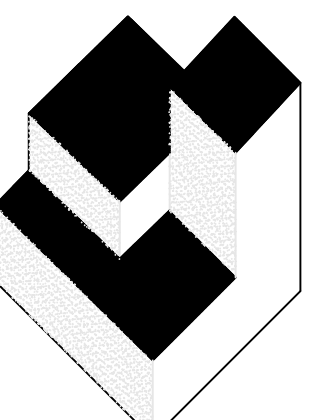
DETAILS 4.13 THRU 4.24
JOB NO.: 16032.00
DRAWN BY: TAH
CHECKED BY: JJW
DATE: 05-08-2017
SCALE: NTS
PLOT SCALE:
R402
SHEET NO.:
44 OF 105 SHEET(S)



4.25 TYP. EXP. JT. TERMINATION AT METAL PANEL
SCALE: 3/4"=1'-0"

DETAILS NOTES

1. EXISTING STRUCTURAL CONCRETE DECK
 2. EXIST. METAL STUD WALL
 3. EXISTING METAL DECK
 4. EXISTING PRECAST CONC. PANEL PARAPET
 5. EXIST. RIGID INSULATION TO REMAIN
 6. EXIST. SHEATHING TO REMAIN
 7. EXISTING PENETRATION - EXTEND AS REQ'D TO PROVIDE MIN. HEIGHT INDICATED
 8. LIGHTWEIGHT INSULATION CONCRETE DECK
 9. EXISTING MECHANICAL EQUIPMENT
 10. EXISTING CURB TO REMAIN
 11. EXISTING CONCRETE/CMU BLOCK WALL
 12. PRELIMINARY ROOF
 13. BATT INSULATION
 17. NON-TAPERED RIGID INSULATION
 18. TAPERED RIGID INSULATION
 20. 1/2" GYPSUM ROOF BOARD
 21. SURFACE APPLIED TERMINATION BAR
 22. TWO-PIECE SURFACE APPLIED COUNTERFLASHING - SEE REFERENCED DETAIL
 23. SEALANT
 24. FLASHING TAPE
 32. CONTINUOUS CLEAT
 35. SCUPPER & DOWNSPOUT CONNECTION - SEE REFERENCED DETAIL
 36. NEW SCUPPER & CONDUCTOR HEAD W/ 2 BRACKETS - SEE REFERENCED DETAIL
 37. NEW SCUPPER - SEE REFERENCED DETAIL
 41. P.T. WOOD BLOCKING TO BE FASTENED AT 12" O.C. (MAX.) AND STAGGER - COUNTERSINK HEADS
 42. 3/4" FLYWOOD - SCREW FASTEN @ 8" O.C. (MAX.) TOP & BOTTOM & STAGGER - COUNTERSINK HEADS
 43. ROUND OFF THIS EDGE
 44. NEW ROOF DRAIN - ADJUST ELEV. ABOVE DECK IN FIELD
 45. EXISTING STRUCTURE
 46. NEW OVERFLOW DRAIN
 48. TAPERED RIGID INSULATION BOARD SUMP
 53. 24 GA ST. STL. SKIRT METAL
 60. PARAPET COPING CAP - SEE REFERENCED DETAIL
 61. METAL EDGE DETAIL - SEE DETAIL
 67. VENTED BASE SHEET
 70. FLEXIBLE SHEET FLASHING
 71. FLEXIBLE SHEET MEMBRANE
 133. EXISTING WOOD BLOCKING TO REMAIN. REPLACE WHERE DAMAGED OR DETERIORATED
- A. HEAT WELD
 B. MFR APPROVED ADHESIVE
 C. FASTENER W/ STRESS PLATE
 D. MANUFACTURER'S APPROVED FLEECE REINFORCED LIQUID APPLIED FLASHING SYSTEM
 E. NEW ST. STL. FASTENER W/ NEOPRENE BACKED WASHER - BACK OUT EXIST. FASTENER AND REPLACE WITH ONE SIZE LARGER AT EXIST. LOCATIONS
 F. EXIST. METAL PANEL WALL SYS. TO REMAIN
 G. NEW UNDER DECK CLAMP
 H. DRAIN PIPE - INSTALL NEW AS REQ'D
 I. NEW STRAINER
 J. NEW CLAMPING RING
 K. NEW MFR'S STD. ADJUSTABLE HEIGHT COLLAR - ANCHOR TO DECK W/ 4-1/2" SCREWS
 L. INFILL AREA AS NEEDED W/ FOAM OR RIGID INSULATION
 M. PREFORMED STACK FLASHING
 N. STAINLESS STEEL DRAW BAND
 O. PROVIDE NEW 18 GA. GALV. FRAMING AT PERIMETER OF SCUPPER FOR SUPPORT THROUGH WALL SYSTEM
 P. BRACE EXIST. METAL PANEL OPENING W/ NEW 18 GA. GALV. FRAMING AT PERIMETER OF EXIST. SCUPPER OPENING
 Q. ST. STL. DRIVE PIN FASTENER W/ NEOPRENE BACKED METAL WASHER @ 8" O.C.
 R. EXISTING STUCCO
 S. ANCHOR STRAPS PER REFERENCED DETAIL
 T. NEW CLAMPING RING WITH RAISED HUB
 U. 24 GA ST. STL. DRAIN COVER - ATTACH TO TOP OF STRAINER
 V. INSTALL NEW 2"x6" METAL FRAME PARAPET WITH SPACING @ 16" O.C.
 W. EXPANSION JOINT FILLER - CLOSED CELL POLYETHYLENE TUBING.
 X. 3" WIDE 26 GA ST. STL. RETAINER CLEATS @ 18" O.C. - ANCHOR W/ 2 FASTENERS EACH - BEND UP IN FIELD TO SECURE SKIRT METAL



A/R/C Associates Incorporated

Architecture
 Roof Consulting
 Construction Technology
 LIC. NBR AAC000932
 601 North Fern Creek Avenue
 Suite 100 Orlando, FL
 32803-4899
 Tel. (407) 896-7875
 Fax. (407) 898-6043
 COPYRIGHT © A/R/C ASSOCIATES, INC.

JAMES W. RIPLEY AR-0018788
 JOSEPH J. WILLIAMS AR-0079864

| REVISIONS | | |
|-----------|------|-----|
| NO. | DATE | BY: |
| | | |
| | | |

SGM ENGINEERING
 MEP CONSULTING ENGINEERS
 935 Lake Baldwin Lane
 Orlando, FL 32814
 Tel. 407-767-5188
 Fax. 407-767-5772
 www.sgmengineering.com
 Copyright © 2014 SGM Engineering, Inc.

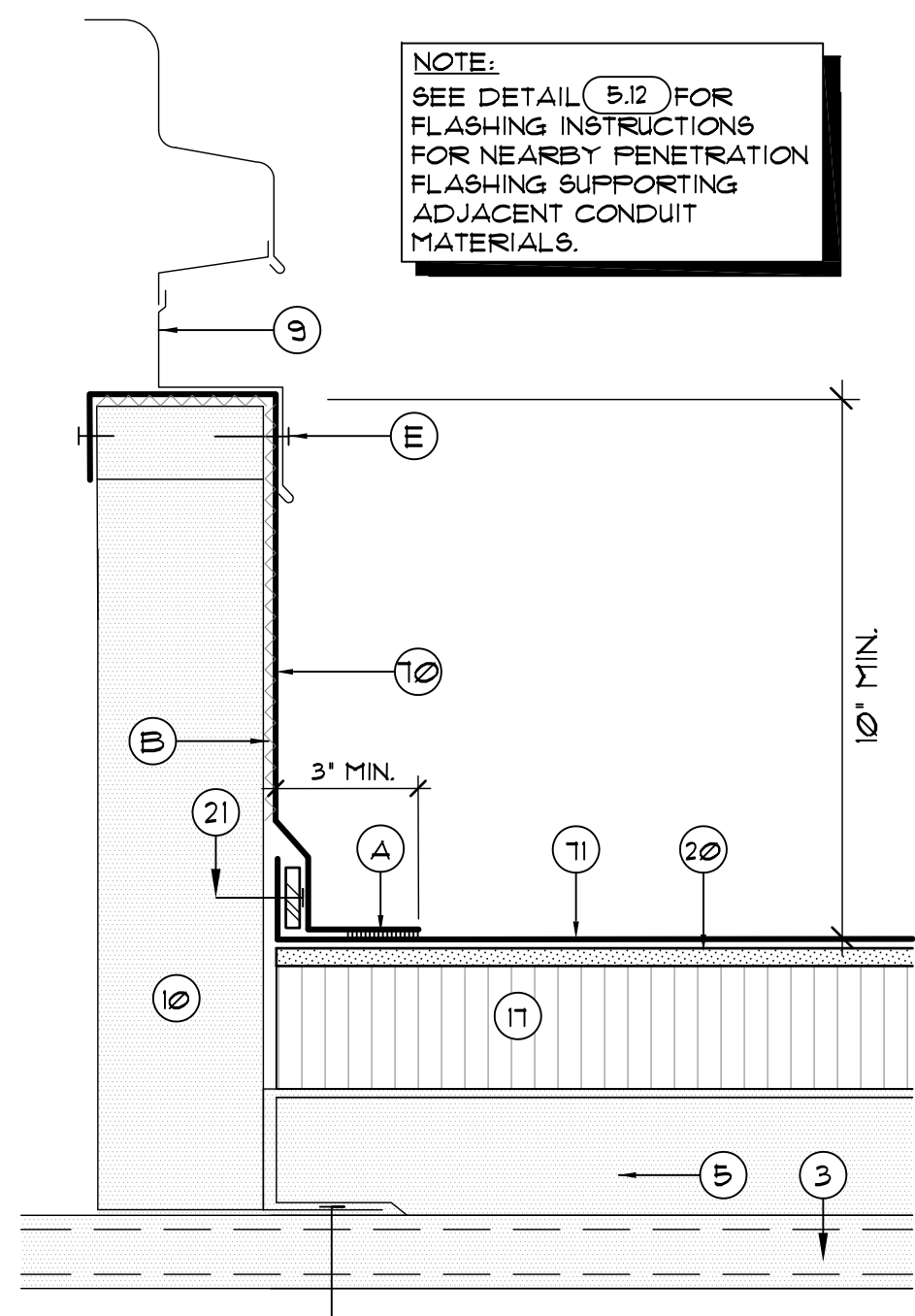
BASE
 ENGINEERING & CONSULTANTS
 1714 EAST CHERRY STREET
 ORLANDO, FLORIDA 32803
 P. 407.377.7277

DESIGNATED REPAIRS AND REPLACEMENT OF:
OCCC WEST BLDG ROOF REPLACEMENT
ORANGE COUNTY CONVENTION CENTER
9800 INTERNATIONAL DRIVE, ORLANDO, FL 32819

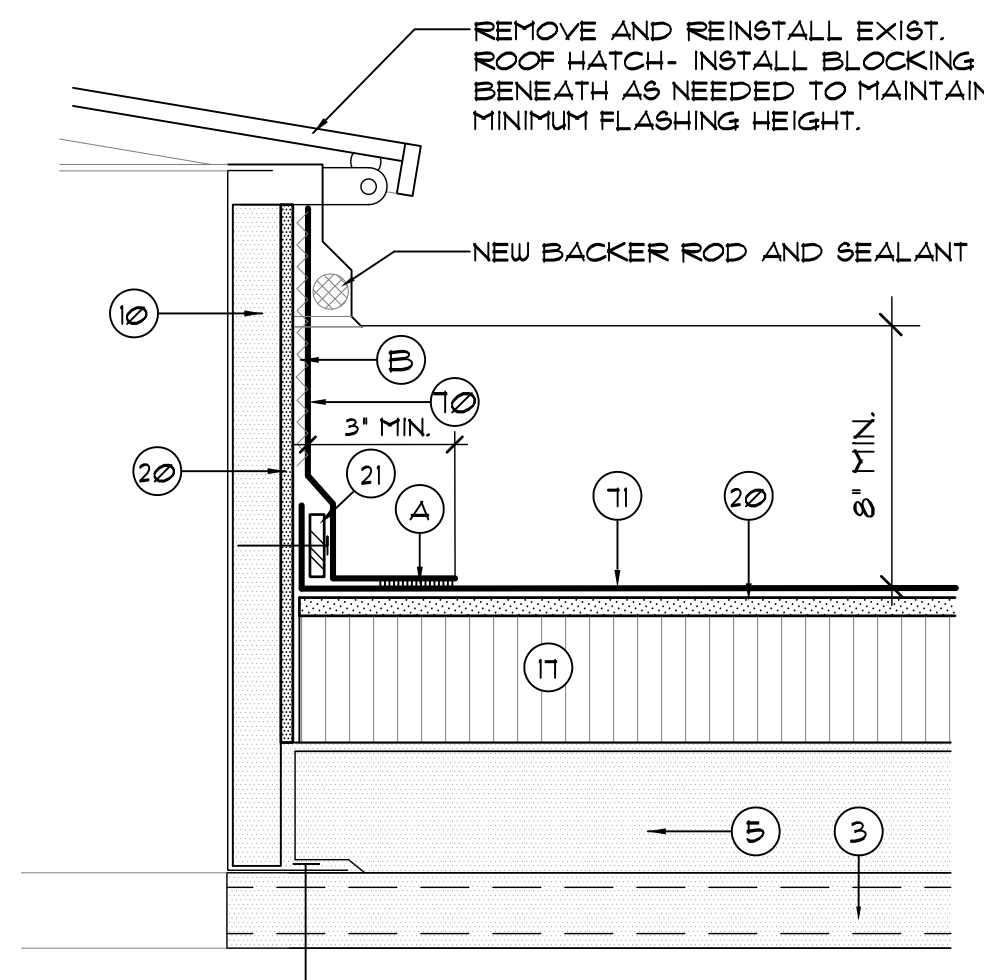
JOB NO.: 1603200
 DRAWN BY: TAH
 CHECKED BY: JJW
 DATE: 05-08-2017
 SCALE: NTS
 PLOT SCALE:

R403
 SHEET NO.:
 45 OF 106 SHEET(S)

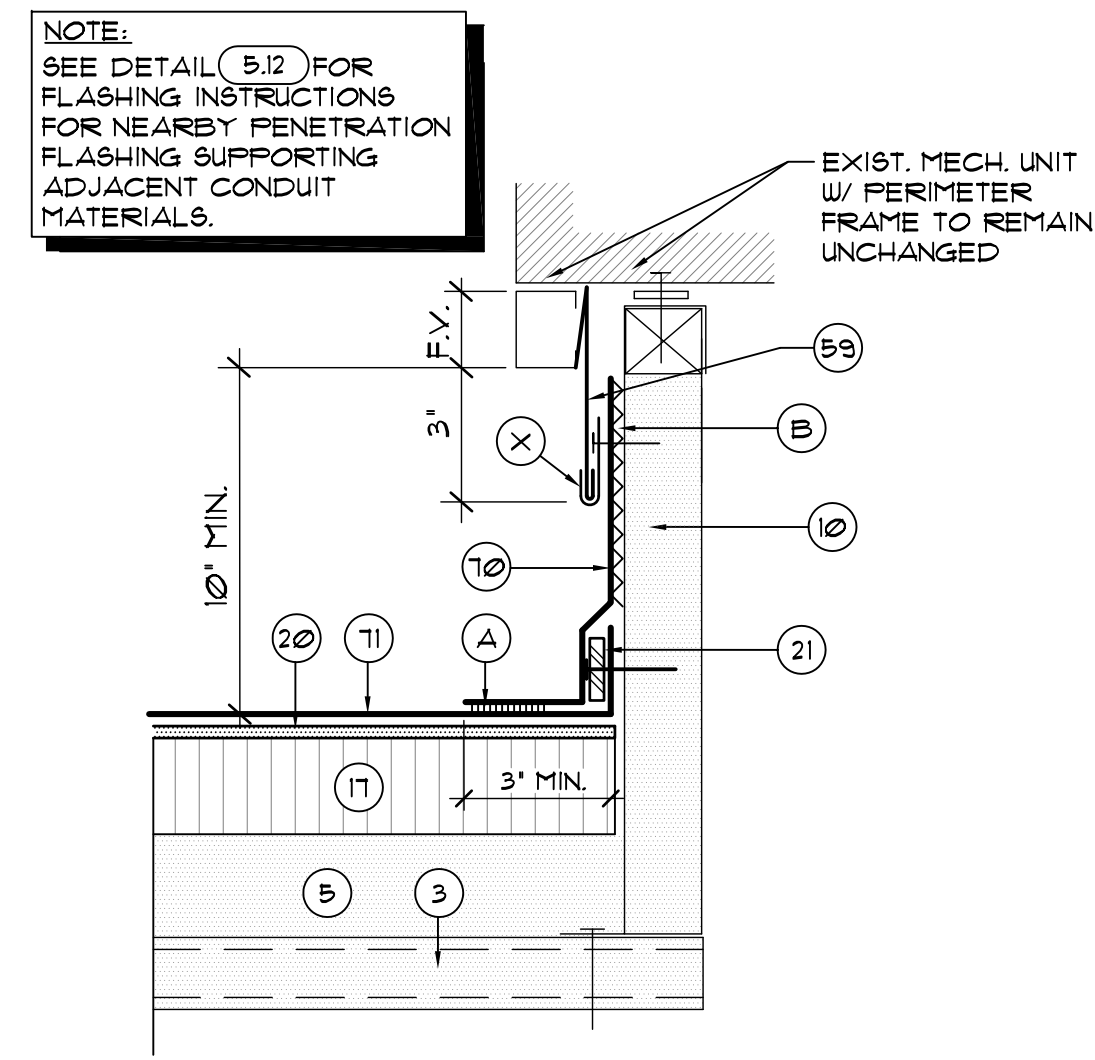
DETAIL 4.25



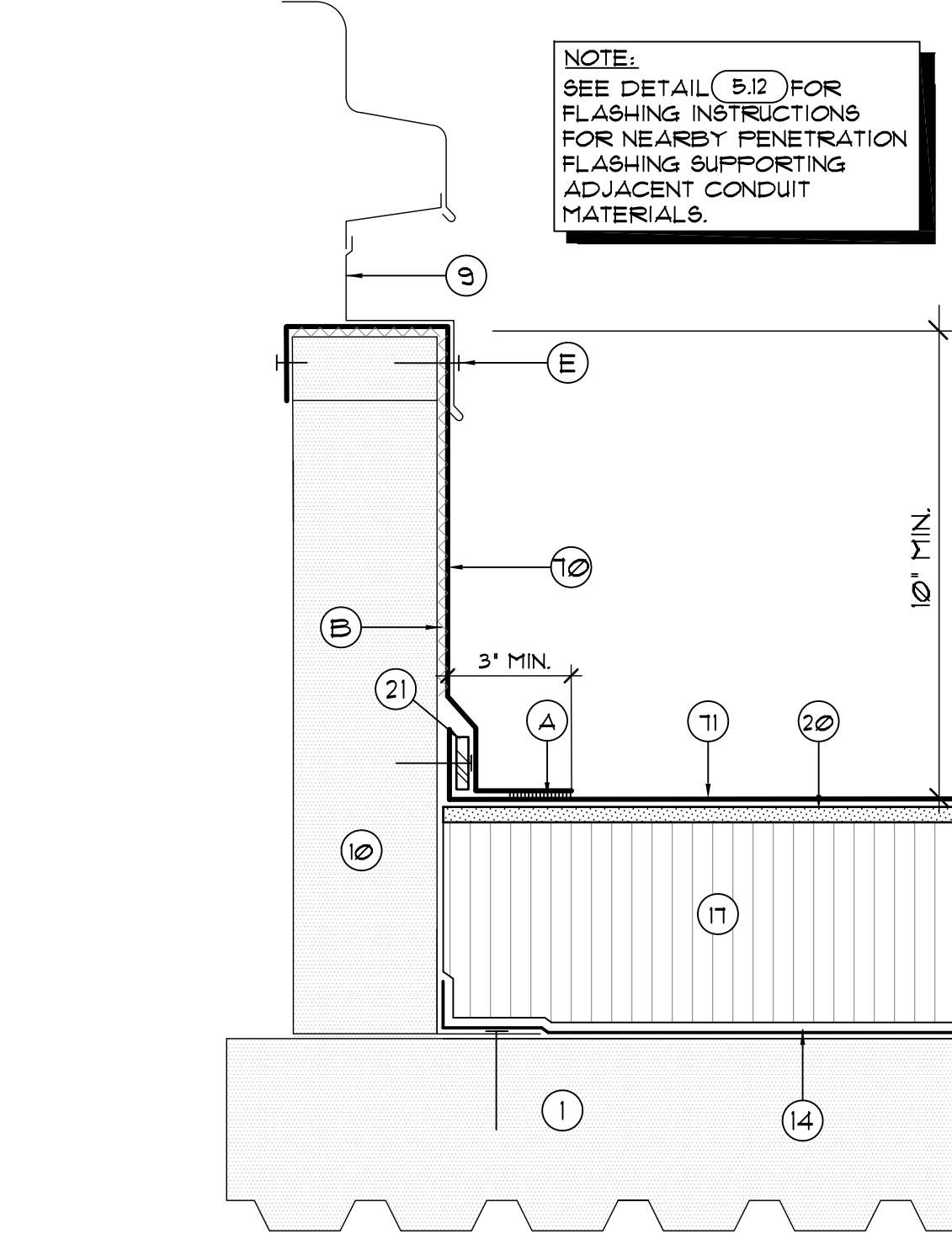
5.01 EXISTING EQUIPMENT CURB FLASHING DETAIL
SCALE: 3"=1'-0"



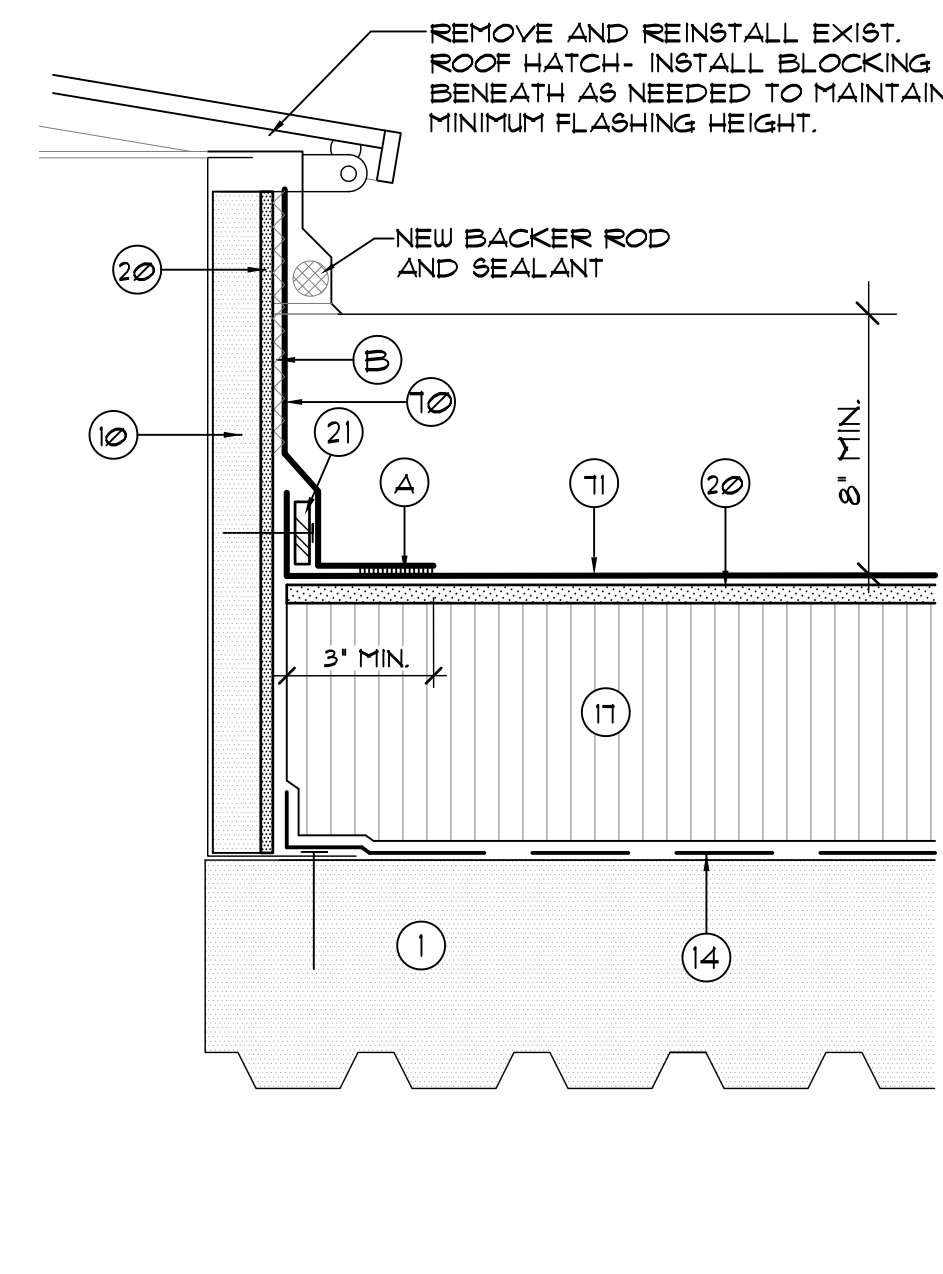
5.02 EXISTING ROOF HATCH FLASHING DETAIL
SCALE: 3"=1'-0"



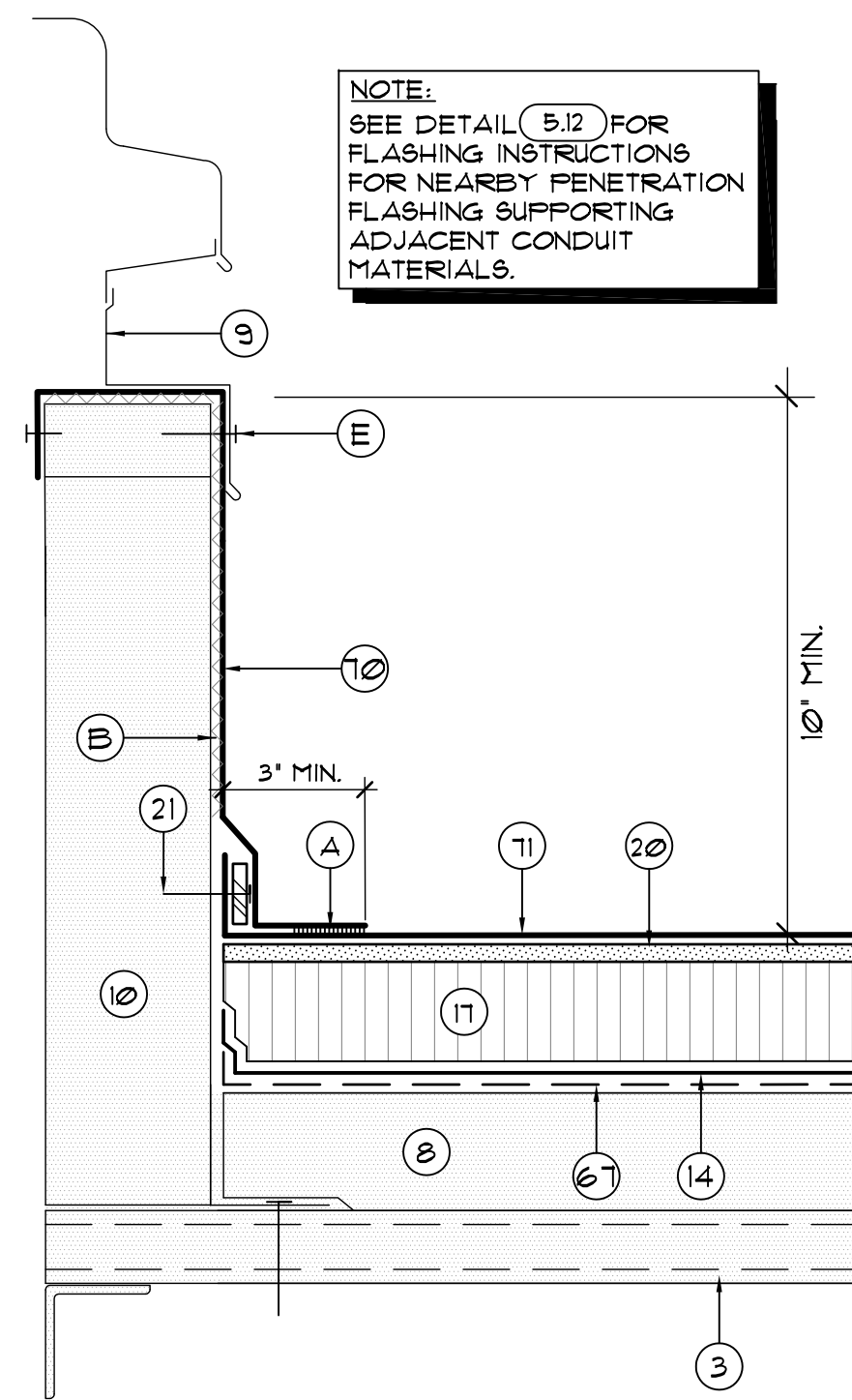
5.03 EXISTING MECH. UNIT CURB W/ NEW FLASHING
SCALE: 3"=1'-0"



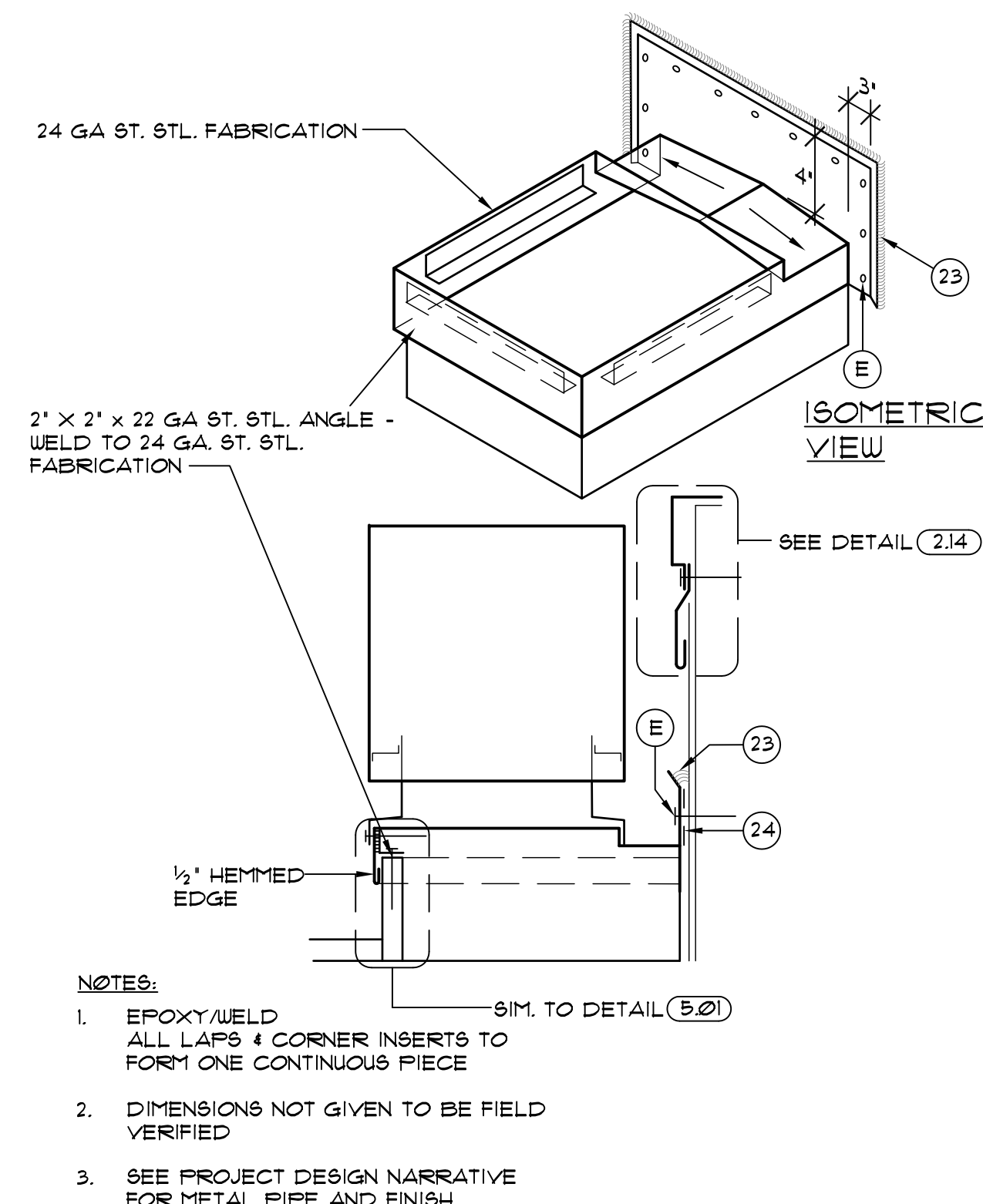
5.04 EXISTING EQUIPMENT CURB FLASHING DETAIL
SCALE: 3"=1'-0"



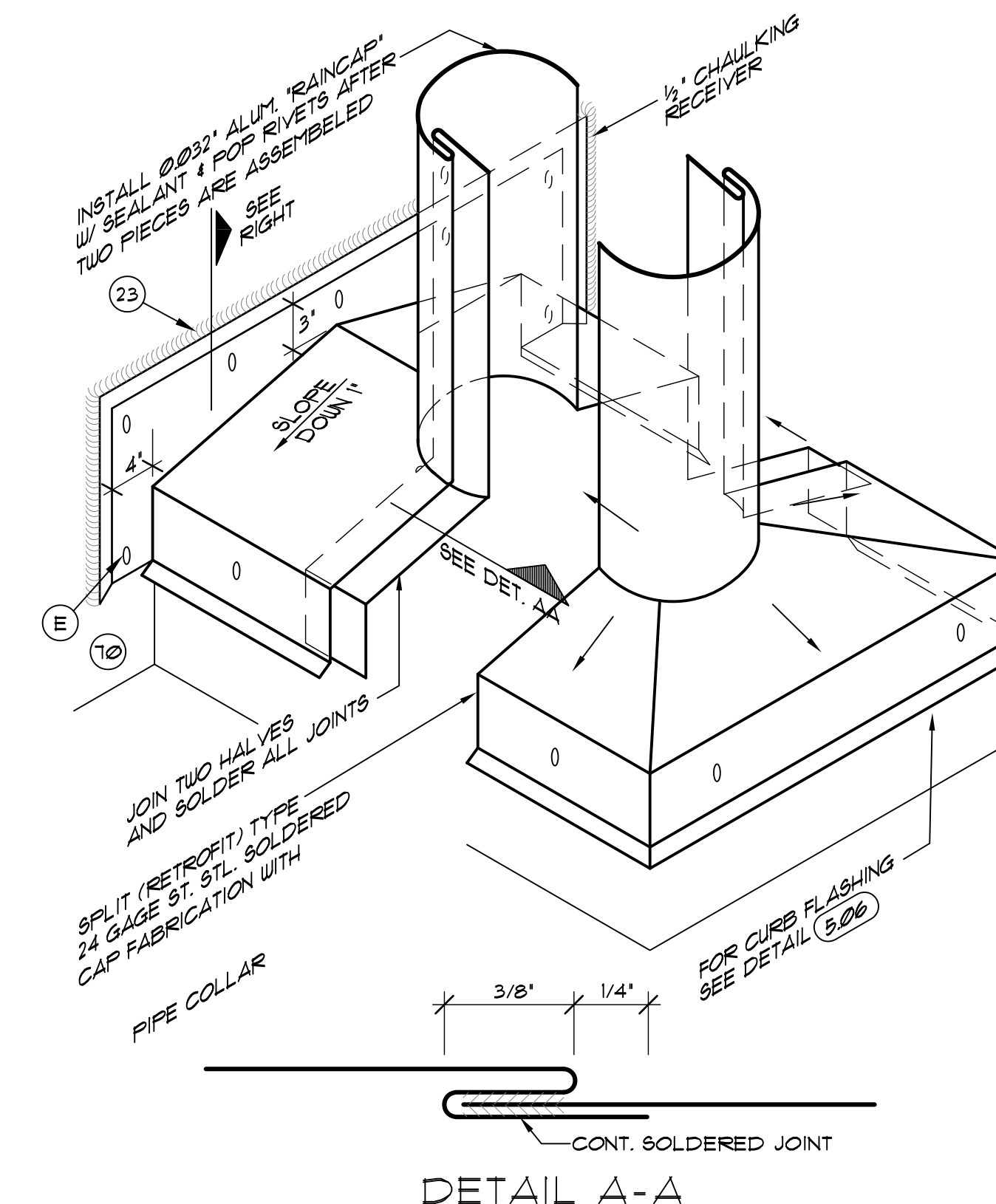
5.05 EXISTING ROOF HATCH FLASHING DETAIL AT CONCRETE DECK
SCALE: 3"=1'-0"



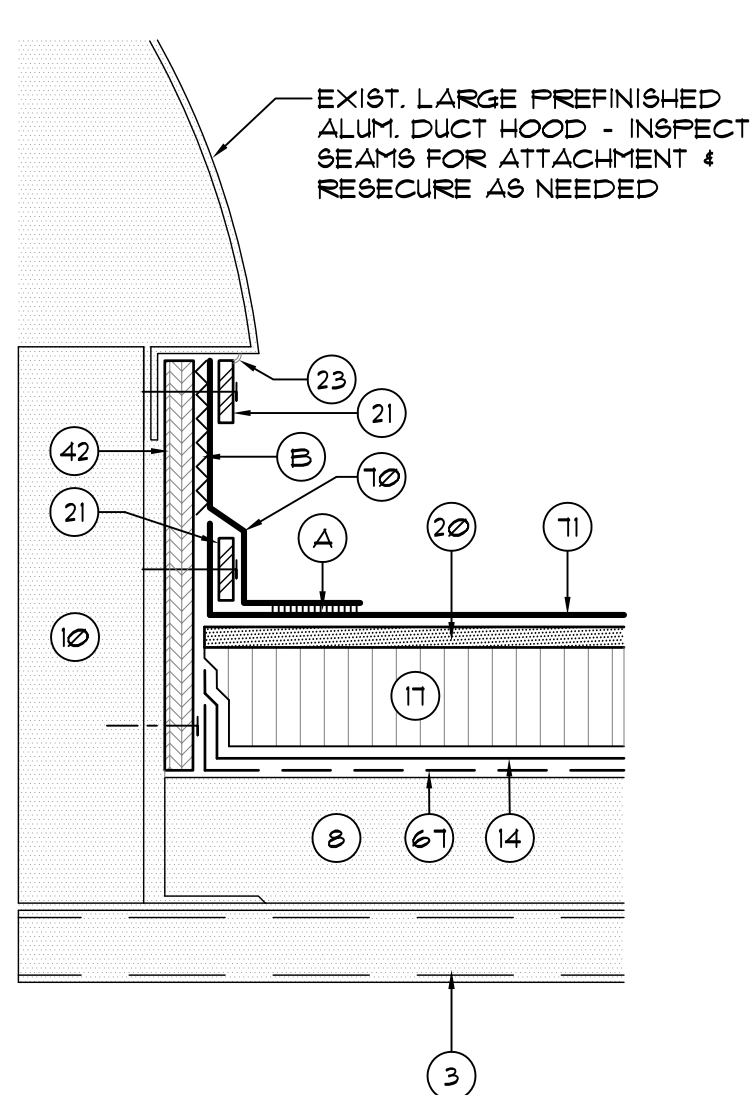
5.06 EXISTING EQUIPMENT CURB FLASHING DETAIL AT SECTOR 4
SCALE: 3"=1'-0"



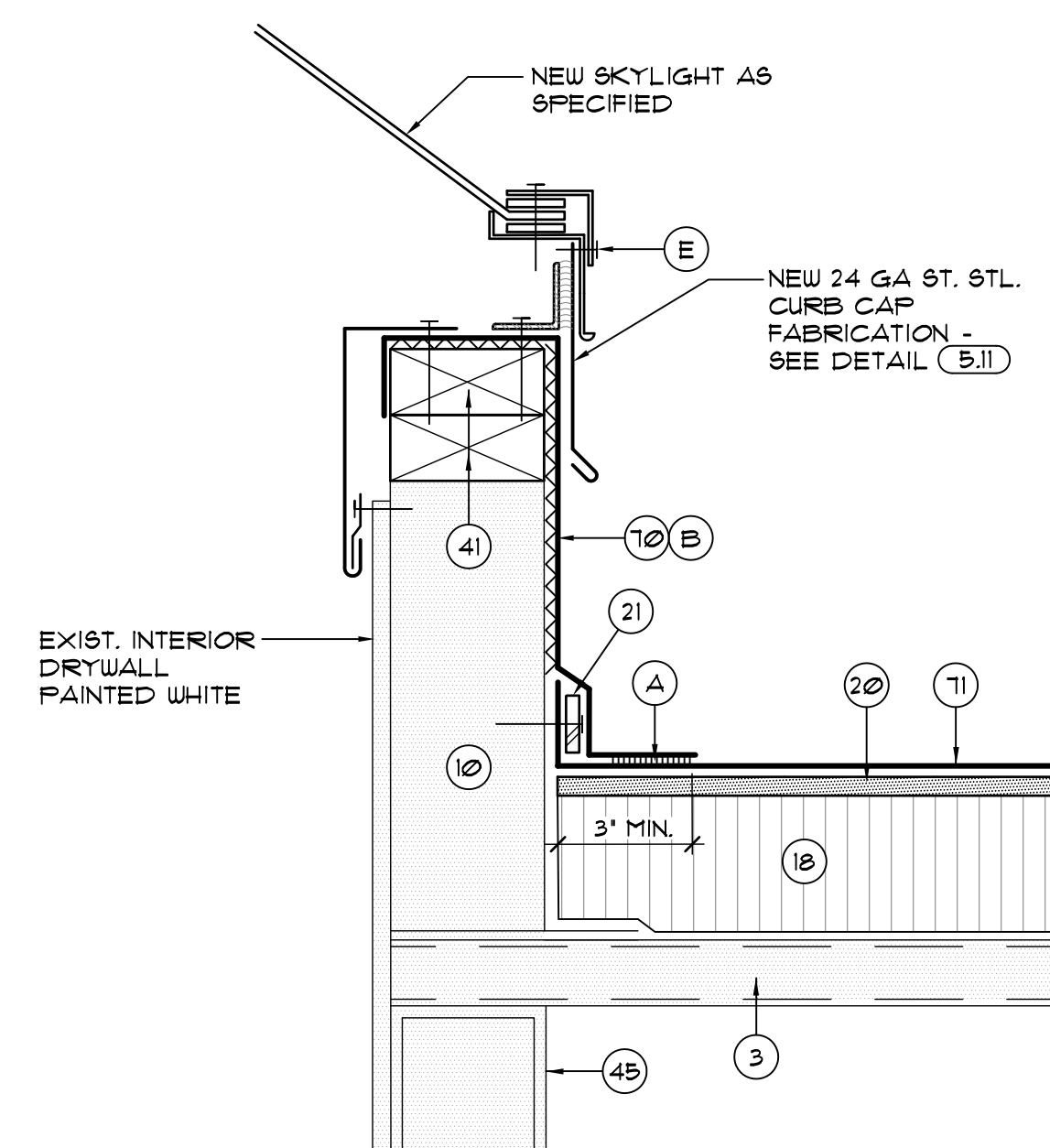
5.07 NEW 3-SIDED CURB FLASHING DETAIL
SCALE: 3"=1'-0"



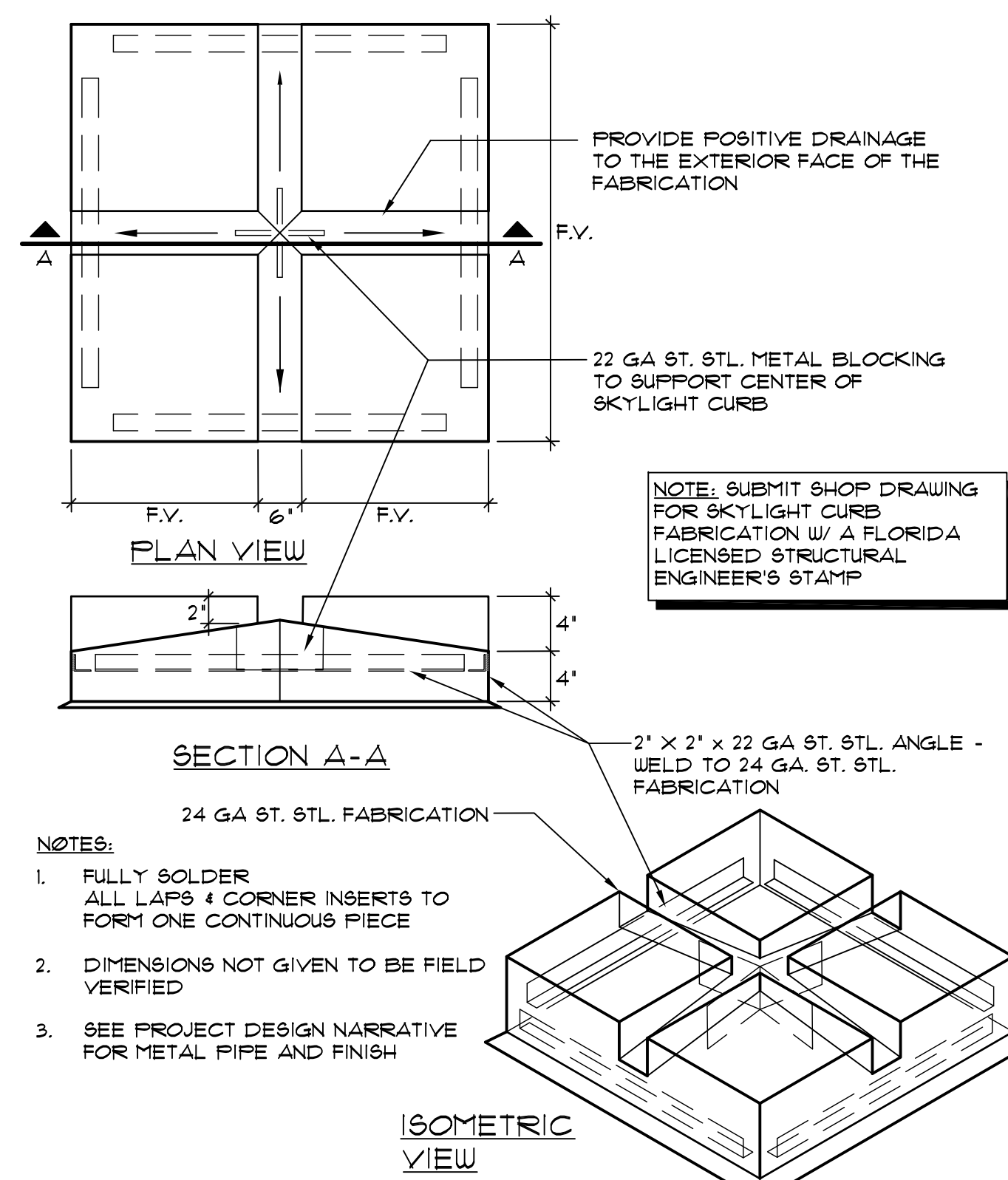
5.08 RETROFIT HOT STACK CAP FABRICATION DETAIL
SCALE: 3"=1'-0"



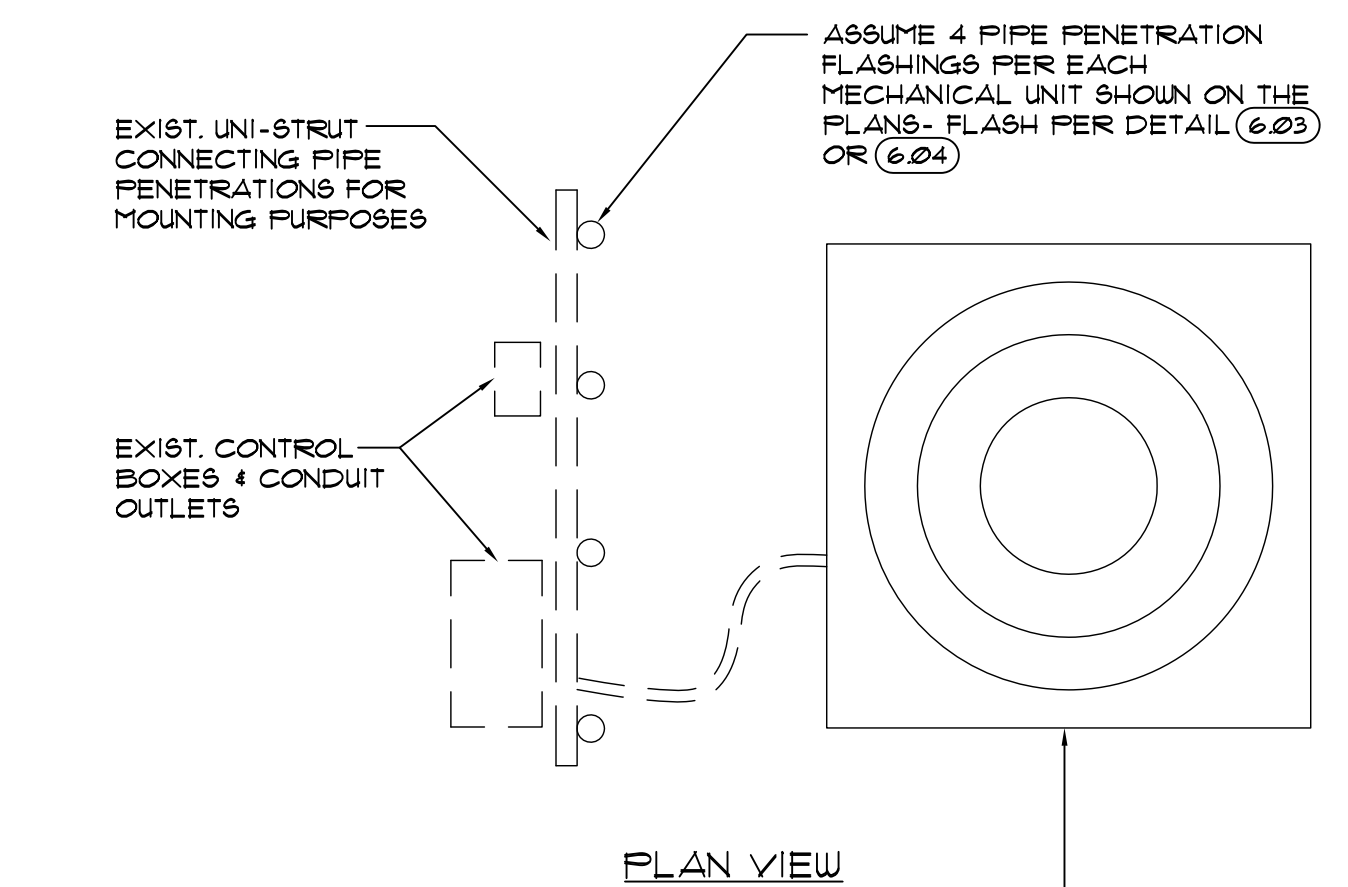
5.09 LARGE DUCT BASE FLASHING DETAIL AT SECTOR 4
SCALE: 3"=1'-0"



5.10 NEW SKYLIGHT FLASHING DETAIL AT SECTOR 6
SCALE: 3"=1'-0"



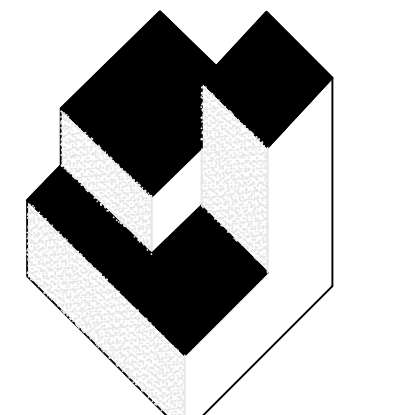
5.11 NEW SKYLIGHT CAP FABRICATION DETAIL
SCALE: 3"=1'-0"



5.12 TYP. MECH. UNIT LAYOUT & FLASHING INSTRUCTIONS
SCALE: 3"=1'-0"

DETAILS NOTES

1. EXISTING STRUCTURAL CONCRETE DECK
 2. EXIST. METAL STUD WALL
 3. EXISTING METAL DECK
 4. EXISTING PRECAST CONC. PANEL PARAPET
 5. EXIST. RIGID INSULATION TO REMAIN
 6. EXIST. SHEATHING TO REMAIN
 7. EXISTING PENETRATION - EXTEND AS REQ'D TO PROVIDE MIN HEIGHT INDICATED
 8. LIGHTWEIGHT INSULATION CONCRETE DECK
 9. EXISTING MECHANICAL EQUIPMENT
 10. EXISTING CURB TO REMAIN
 11. EXISTING CONCRETE/CMU BLOCK WALL
 14. PRELIMINARY ROOF
 16. BATT INSULATION
 17. NON-TAPERED RIGID INSULATION
 18. TAPERED RIGID INSULATION
 20. 1/2" GYPSUM ROOF BOARD
 21. SURFACE APPLIED TERMINATION BAR
 22. TWO-PIECE SURFACE APPLIED COUNTERFLASHING - SEE REFERENCED DETAIL
 23. SEALANT
 24. FLASHING TAPE
 32. CONTINUOUS CLEAT
 35. SCUPPER & DOWNSPOUT CONNECTION - SEE REFERENCED DETAIL
 36. NEW SCUPPER & CONDUCTOR HEAD W/ 2 BRACKETS - SEE REFERENCED DETAIL
 37. NEW SCUPPER - SEE REFERENCED DETAIL
 41. P.T. WOOD BLOCKING TO BE FASTENED AT 12" O.C. (MAX.) AND STAGGER - COUNTERSINK HEADS
 42. 3/4" FLYWOOD - SCREW FASTEN @ 8" O.C. (MAX.) TOP & BOTTOM & STAGGER - COUNTERSINK HEADS
 43. ROUND OFF THIS EDGE
 44. NEW ROOF DRAIN - ADJUST ELEV. ABOVE DECK IN FIELD
 45. EXISTING STRUCTURE
 46. NEW OVERFLOW DRAIN
 48. TAPERED RIGID INSULATION BOARD SUMP
 53. 24 GA ST. SKIRT METAL
 60. PARAPET COPING CAP - SEE REFERENCED DETAIL
 61. METAL EDGE DETAIL - SEE DETAIL
 67. VENTED BASE SHEET
 70. FLEXIBLE SHEET FLASHING
 71. FLEXIBLE SHEET MEMBRANE
 133. EXISTING WOOD BLOCKING TO REMAIN. REPLACE WHERE DAMAGED OR DETERIORATED
- A. HEAT WELD
B. MFR APPROVED ADHESIVE
C. FASTENER W/ STRESS PLATE
D. MANUFACTURER'S APPROVED FLEECE REINFORCED LIQUID APPLIED FLASHING SYSTEM
E. NEW ST. STL. FASTENER W/ NEOPRENE BACKED WASHER - BACK OUT EXIST. FASTENER AND REPLACE WITH ONE SIZE LARGER AT EXIST. LOCATIONS
F. EXIST. METAL PANEL WALL SYS. TO REMAIN
G. NEW UNDER DECK CLAMP
H. DRAIN PIPE - INSTALL NEW AS REQ'D
I. NEW STRAINER
J. NEW CLAMPING RING
K. NEW MFR'S STD. ADJUSTABLE HEIGHT COLLAR - ANCHOR TO DECK W/ 4-1/2" SCREWS
L. INFILL AREA AS NEEDED W/ FOAM OR RIGID INSULATION
M. PREFORMED STACK FLASHING
N. STAINLESS STEEL DRAW BAND
O. PROVIDE NEW 18 GA GALV. FRAMING AT PERIMETER OF SCUPPER FOR SUPPORT THROUGH WALL SYSTEM
P. BRACE EXIST. METAL PANEL OPENING W/ NEW 18 GA GALV. FRAMING AT PERIMETER OF EXIST. SCUPPER OPENING
Q. ST. STL. DRIVE PIN FASTENER W/ NEOPRENE BACKED METAL WASHER @ 8" O.C.
R. EXISTING STUCCO
S. ANCHOR STRAPS PER REFERENCED DETAIL
T. NEW CLAMPING RING WITH RAISED HUB
U. 24 GA ST. STL. DRAIN COVER - ATTACH TO TOP OF STRAINER
V. INSTALL NEW 2"x6" METAL FRAME PARAPET WITH SPACING @ 16" O.C.
W. EXPANSION JOINT FILLER - CLOSED CELL POLYETHYLENE TUBING.
X. 3" WIDE 26 GA ST. STL. RETAINER CLEATS @ 18" O.C. - ANCHOR W/ 2 FASTENERS EACH - BEND UP IN FIELD TO SECURE SKIRT METAL



A/R/C
Associates
Incorporated

Architecture
Roof Consulting
Construction Technology
LIC. NBR AAC000932
601 North Fern Creek Avenue
Suite 100 Orlando, FL
32803-4899
Tel. (407) 898-7875
Fax. (407) 898-6043
COPYRIGHT © A/R/C ASSOCIATES, INC.

JAMES W. RIPLEY AR-0018780
JOSEPH J. WILLIAMS AR-007984

REVISIONS

| NO. | DATE | BY: |
|-----|------|-----|
| | | |



SGM
ENGINEERING, INC.
MEP CONSULTING ENGINEERS
18-000008
935 Lake Baldwin Lane
Orlando, FL 32814
Tel. 407-767-5188
Fax. 407-767-5772
www.sgmengineering.com
Copyright © 2014 SGM Engineering, Inc.



BASE
Engineering, Inc. & CONSULTANTS
CORP. 1521662
OFFICE OF AUTHORIZATION No. 27343
LAURA BARBERO-SUPFA, P.E. No. 74027
1715 EAST GENESEE STREET
ORLANDO, FLORIDA 32803
Tel. 407-377-7277

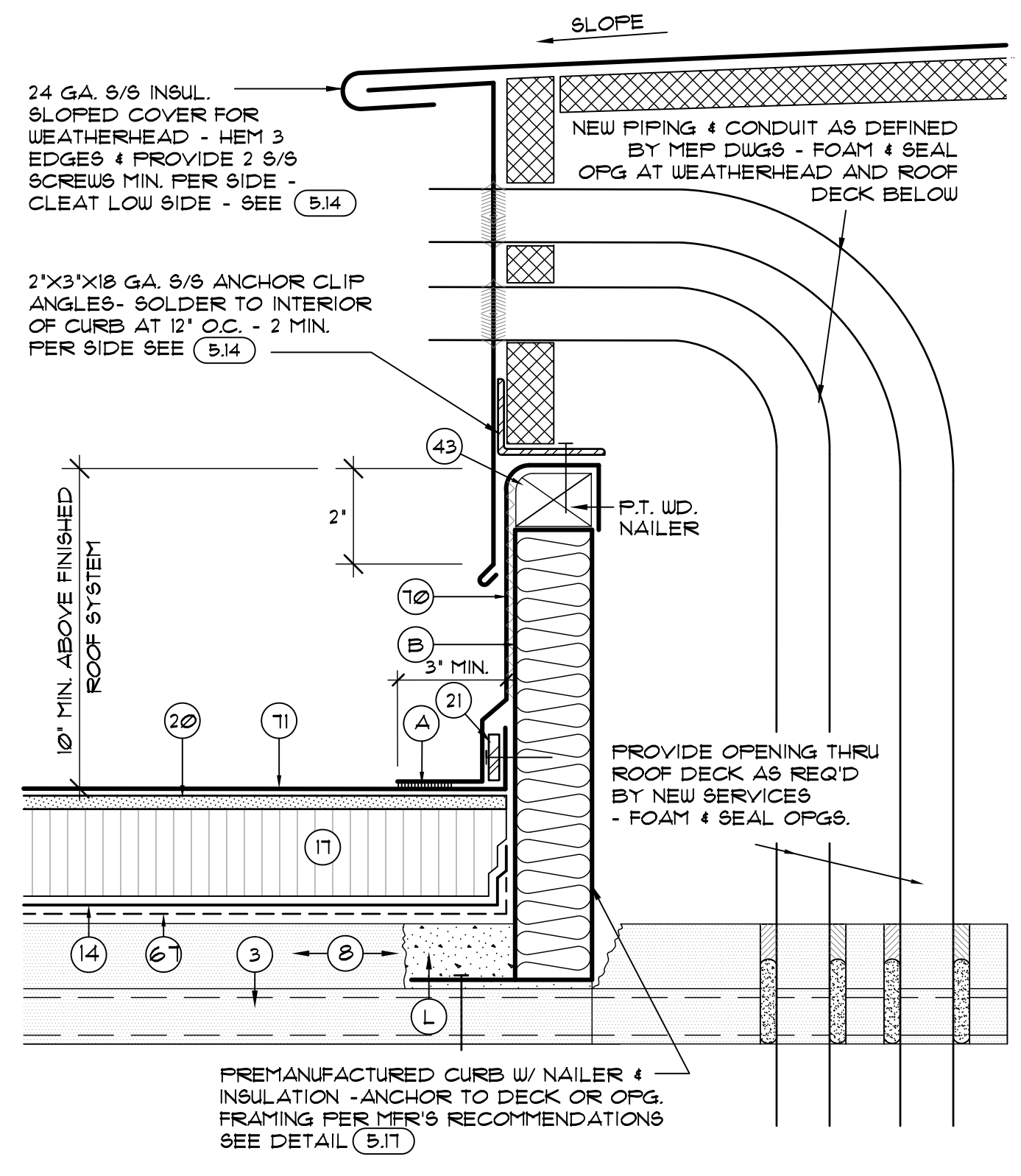
DESIGNATED REPAIRS AND REPLACEMENT OF:
OCCC WEST BLDG ROOF REPLACEMENT
ORANGE COUNTY CONVENTION CENTER
9800 INTERNATIONAL DRIVE, ORLANDO, FL 32819

JOB NO.: 1603200
DRAWN BY: TAH
CHECKED BY: JJW
DATE: 05-08-2017
SCALE: NTS
PLOT SCALE:

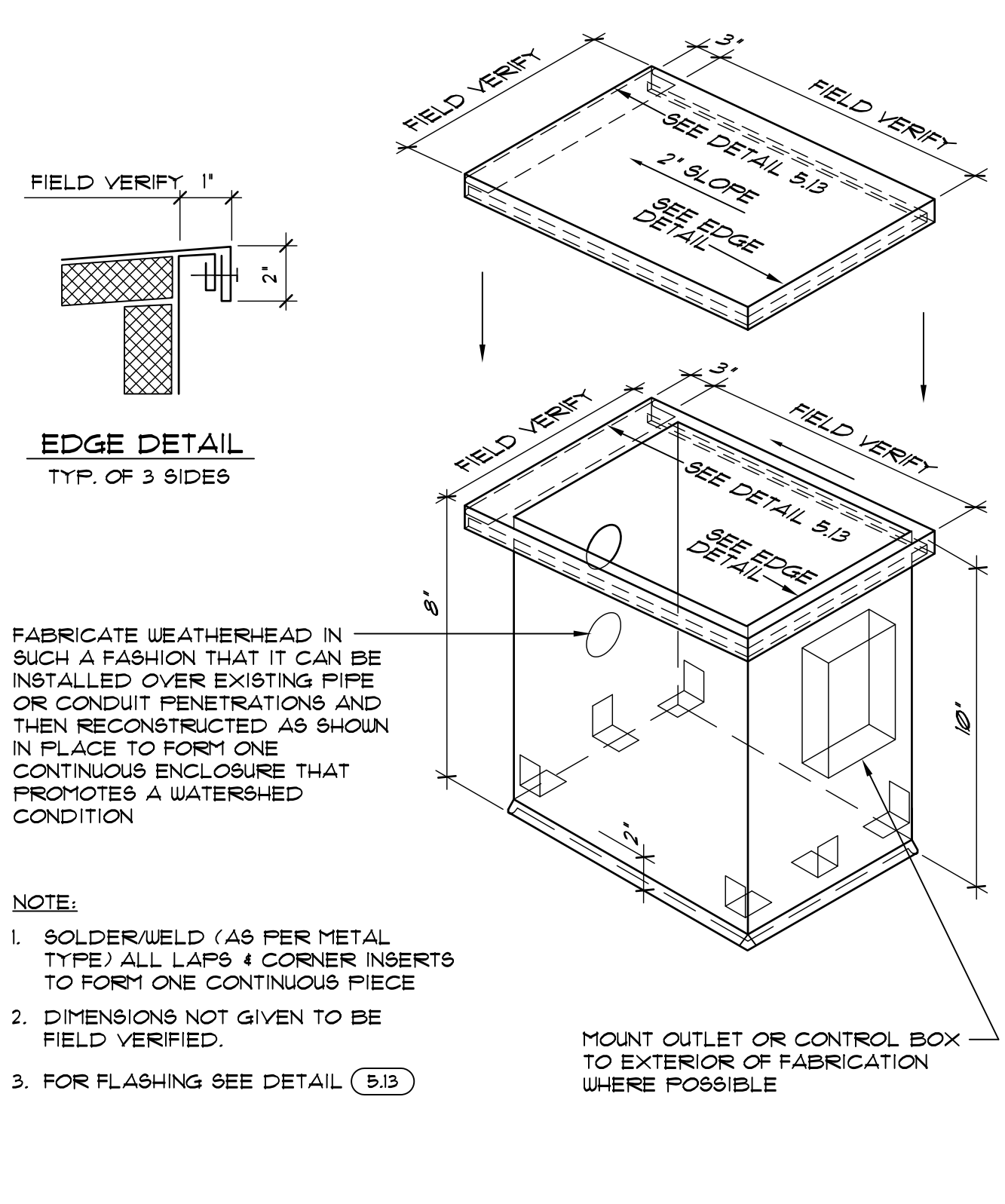
R501

SHEET NO.:
46 OF 105 SHEET(S)

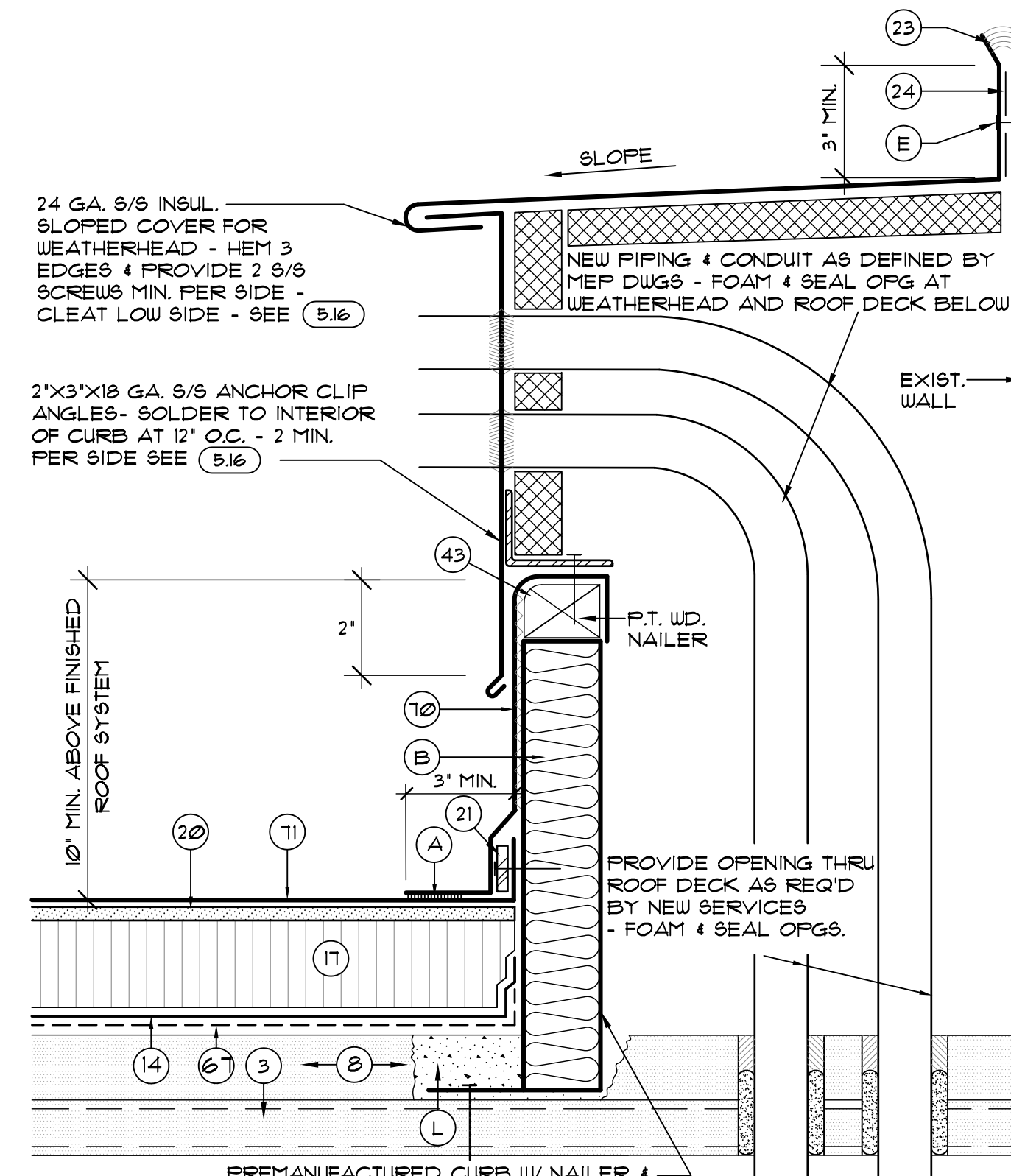
DETAILS 5.01 THRU 5.12



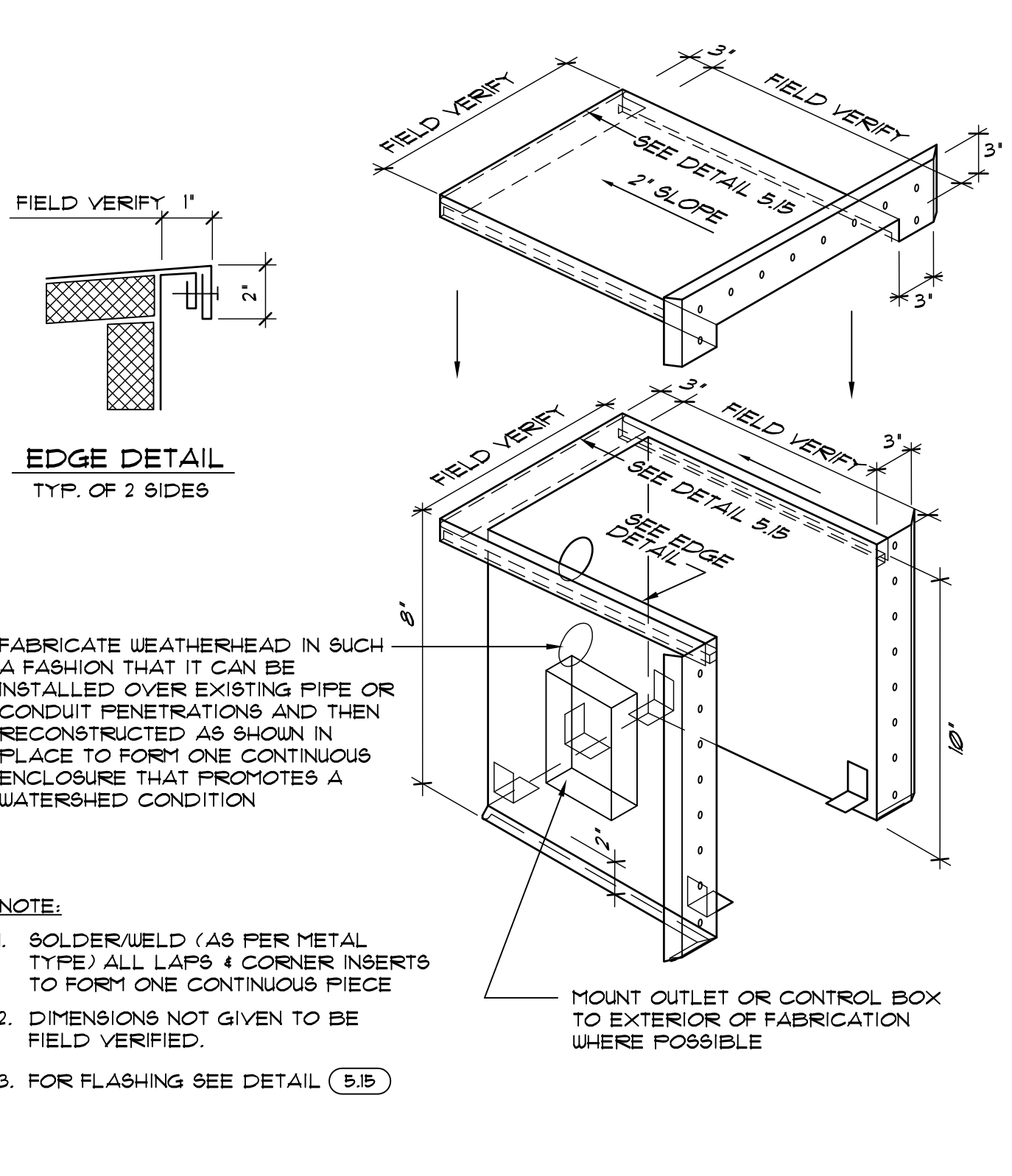
5.13 NEW REMOVABLE HOOD WEATHERHEAD FLASHING DETAIL
SCALE: 3/4\"/>



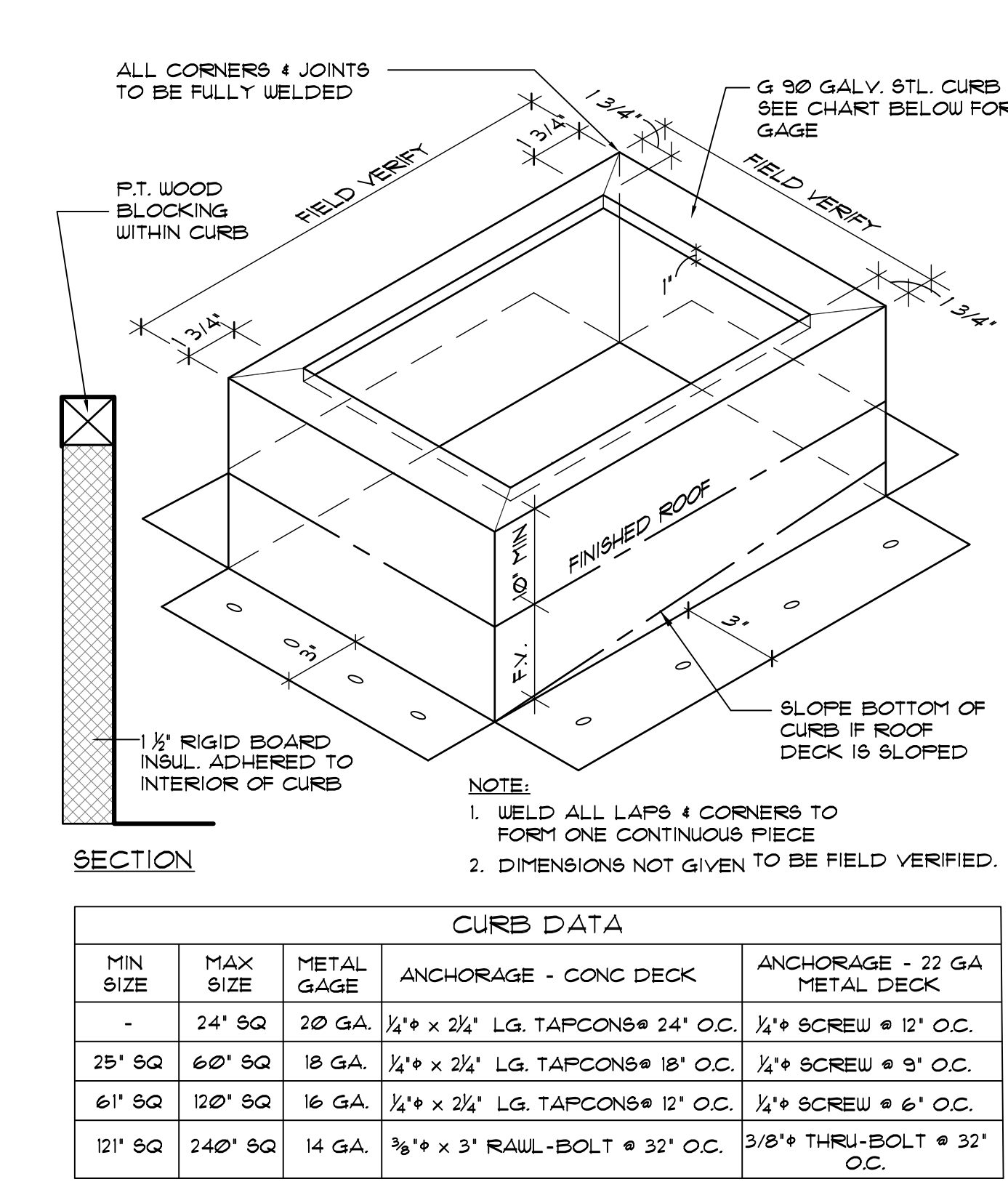
5.14 NEW REMOVABLE HOOD WEATHERHEAD FABRICATION DETAIL
SCALE: 3/4\"/>



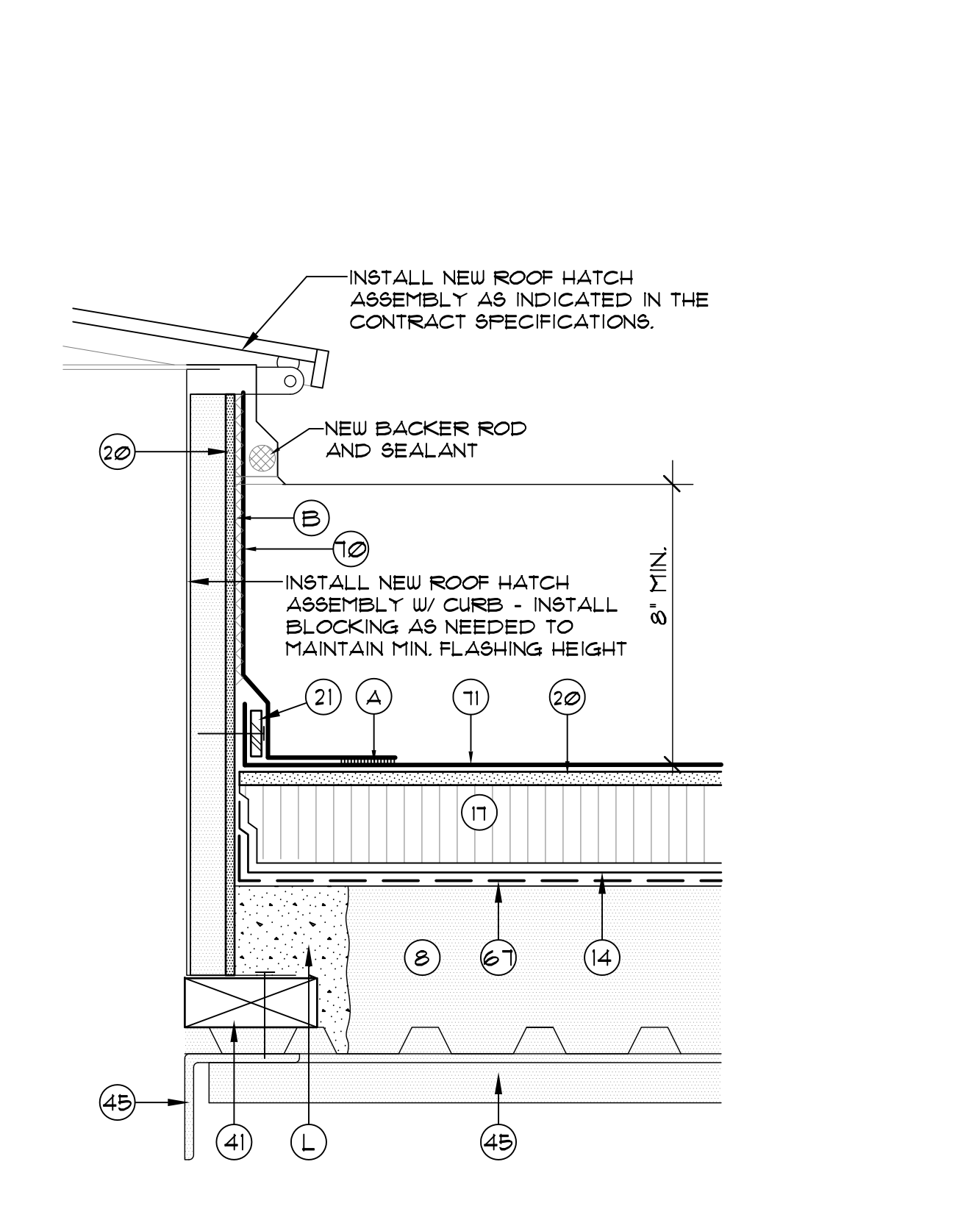
5.15 NEW 3-SIDED WEATHERHEAD FLASHING DETAIL
SCALE: 3/4\"/>



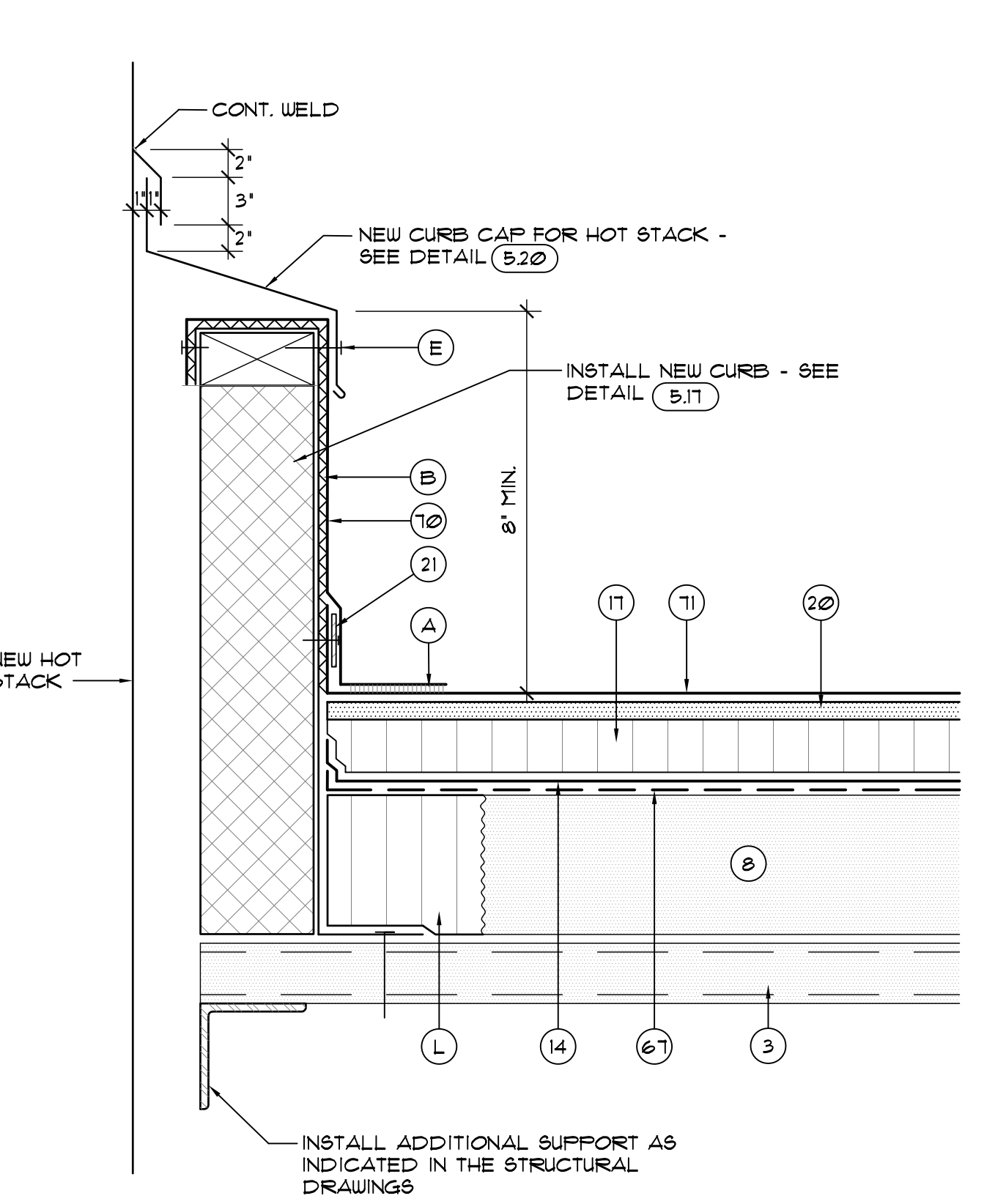
5.16 NEW 3-SIDED GOOSENECK FABRICATION DETAIL
SCALE: 3/4\"/>



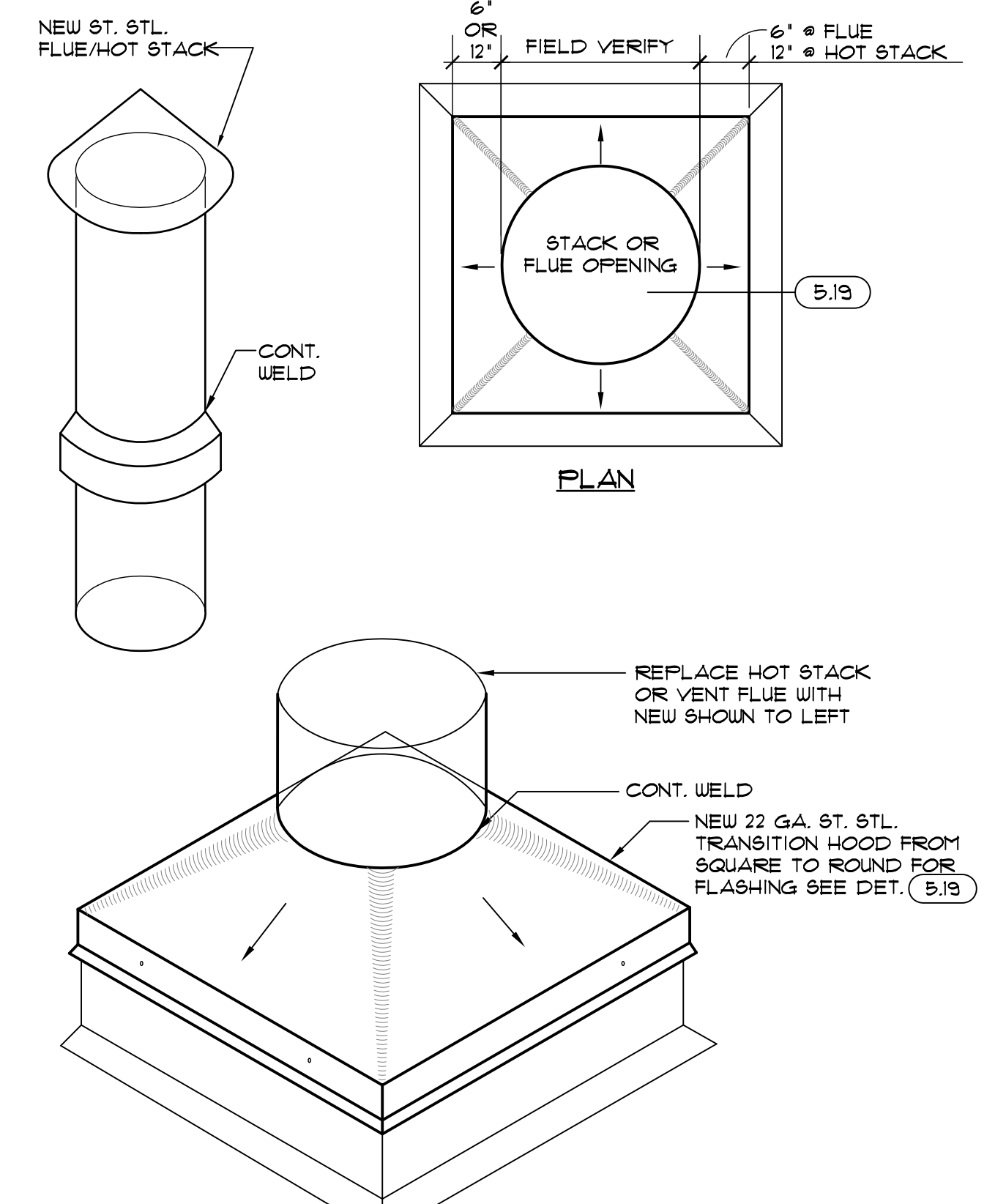
5.17 NEW CURB FABRICATION DETAIL
SCALE: 3/4\"/>



5.18 NEW HATCH FLASHING AND INSTALLATION DETAIL
SCALE: 3/4\"/>



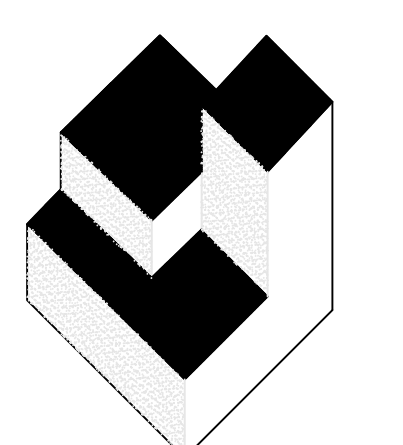
5.19 NEW HOT STACK FLASHING DETAIL
SCALE: 3/4\"/>



5.20 NEW HOT STACK CURB FABRICATION DETAIL
SCALE: 3/4\"/>

DETAILS NOTES

1. EXISTING STRUCTURAL CONCRETE DECK
 2. EXIST. METAL STUD WALL
 3. EXISTING METAL DECK
 4. EXISTING PRECAST CONC. PANEL PARAPET
 5. EXIST. RIGID INSULATION TO REMAIN
 6. EXIST. SHEATHING TO REMAIN
 7. EXISTING PENETRATION - EXTEND AS REQ'D TO PROVIDE MIN HEIGHT INDICATED
 8. LIGHTWEIGHT INSULATION CONCRETE DECK
 9. EXISTING MECHANICAL EQUIPMENT
 10. EXISTING CURB TO REMAIN
 11. EXISTING CONCRETE/CMU BLOCK WALL
 14. PRELIMINARY ROOF
 16. BATT INSULATION
 17. NON-TAPERED RIGID INSULATION
 18. TAPERED RIGID INSULATION
 20. 1/2\"/>
 - 21. SURFACE APPLIED TERMINATION BAR
 - 22. TWO-PIECE SURFACE APPLIED COUNTERFLASHING - SEE REFERENCED DETAIL
 - 23. SEALANT
 - 24. FLASHING TAPE
 - 32. CONTINUOUS CLEAT
 - 35. SCUPPER 4 DOWNSPOUT CONNECTION - SEE REFERENCED DETAIL
 - 36. NEW SCUPPER 4 CONDUCTOR HEAD W/ 2 BRACKETS - SEE REFERENCED DETAIL
 - 37. NEW SCUPPER - SEE REFERENCED DETAIL
 - 41. P.T. WOOD BLOCKING TO BE FASTENED AT 12\"/>
 - 42. 3/4\"/>
 - 43. ROUND OFF THIS EDGE
 - 44. NEW ROOF DRAIN - ADJUST ELEV. ABOVE DECK IN FIELD
 - 45. EXISTING STRUCTURE
 - 46. NEW OVERFLOW DRAIN
 - 48. TAPERED RIGID INSULATION BOARD SUMP
 - 53. 24 GA ST. STL. SKIRT METAL
 - 60. PARAPET COPING CAP - SEE REFERENCED DETAIL
 - 61. METAL EDGE DETAIL - SEE DETAIL
 - 67. VENTED BASE SHEET
 - 70. FLEXIBLE SHEET FLASHING
 - 71. FLEXIBLE SHEET MEMBRANE
 - 133. EXISTING WOOD BLOCKING TO REMAIN. REPLACE WHERE DAMAGED OR DETERIORATED
- A. HEAT WELD
 B. MFR APPROVED ADHESIVE
 C. FASTENER W/ STRESS PLATE
 D. MANUFACTURER'S APPROVED FLEECE REINFORCED LIQUID APPLIED FLASHING SYSTEM
 E. NEW ST. STL. FASTENER W/ NEOPRENE BACKED WASHER - BACK OUT EXIST. FASTENER AND REPLACE WITH ONE SIZE LARGER AT EXIST. LOCATIONS
 F. EXIST. METAL PANEL WALL SYS. TO REMAIN
 G. NEW UNDER DECK CLAMP
 H. DRAIN PIPE - INSTALL NEW AS REQ'D
 I. NEW STRAINER
 J. NEW CLAMPING RING
 K. NEW MFR'S STD. ADJUSTABLE HEIGHT COLLAR - ANCHOR TO DECK W/ 4-1/2\"/>
 L. INFILL AREA AS NEEDED W/ FOAM OR RIGID INSULATION
 M. PREFORMED STACK FLASHING
 N. STAINLESS STEEL DRAW BAND
 O. PROVIDE NEW 18 GA GALV. FRAMING AT PERIMETER OF SCUPPER FOR SUPPORT THROUGH WALL SYSTEM
 P. BRACE EXIST. METAL PANEL OPENING W/ NEW 18 GA GALV. FRAMING AT PERIMETER OF EXIST. SCUPPER OPENING
 Q. ST. STL. DRIVE PIN FASTENER W/ NEOPRENE BACKED METAL WASHER # 8\"/>
 R. EXISTING STUCCO
 S. ANCHOR STRAPS PER REFERENCED DETAIL
 T. NEW CLAMPING RING WITH RAISED HUB
 U. 24 GA ST. STL. DRAIN COVER - ATTACH TO TOP OF STRAINER
 V. INSTALL NEW 2\"/>
 W. EXPANSION JOINT FILLER - CLOSED CELL POLYETHYLENE TUBING
 X. 3\"/>



A/R/C Associates Incorporated

Architecture
 Roof Consulting
 Construction Technology
 LIC. NBR AAC000932
 601 North Fern Creek Avenue
 Suite 100 Orlando, FL
 32805-4899
 Tel. (407) 896-7875
 Fax. (407) 898-6043
 Copyright © A/R/C ASSOCIATES, INC.

JAMES W. HUPLEY AR-0018788
 JOSEPH J. WILLIAMS AR-007984

REVISIONS

| NO. | DATE | BY: |
|-----|------|-----|
| | | |



SGM ENGINEERING
 ME P CONSULTING ENGINEERS
 935 Lake Baldwin Lane
 Orlando, FL 32814
 Tel. 407-767-5188
 Fax. 407-767-5772
 www.sgmengineering.com
 Copyright © 2014 SGM Engineering, Inc.

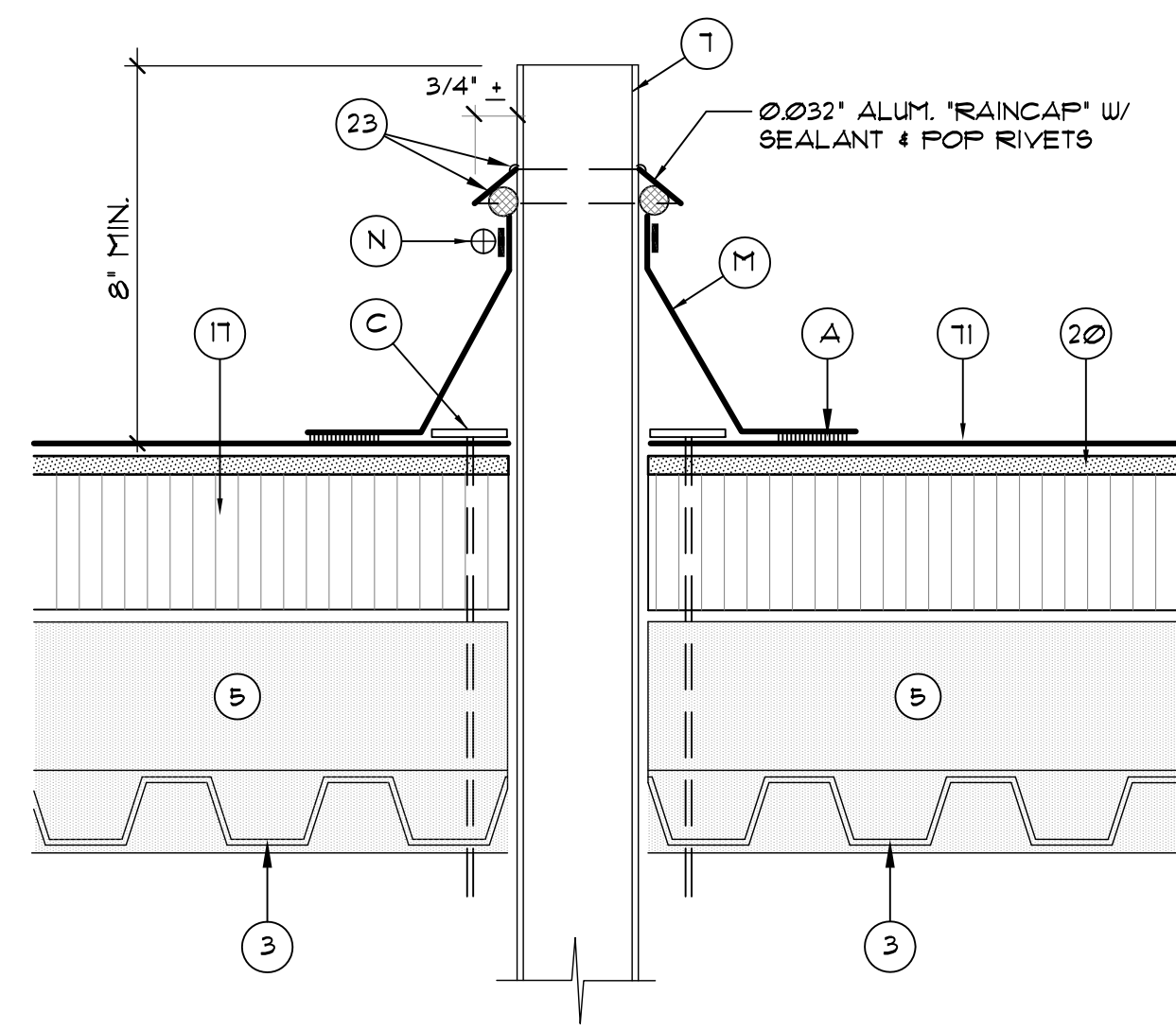


BASE ENGINEERING CONSULTANTS
 Engineering & Construction
 COC 1521662
 1704 EAST ORCHARD STREET
 ORLANDO, FLORIDA 32803
 P. 407-377-7227

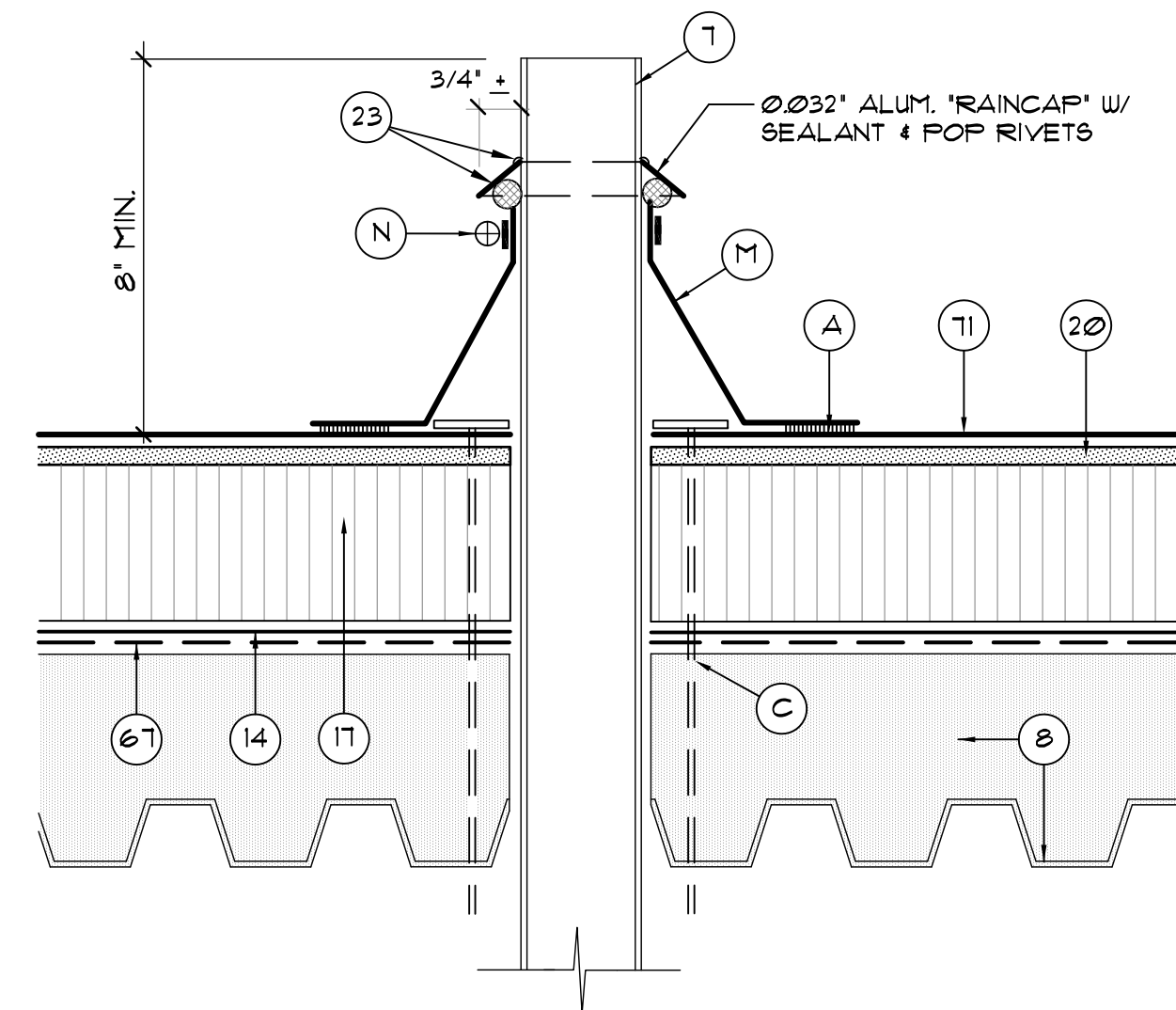
DESIGNATED REPAIRS AND REPLACEMENT OF
OCCC WEST BLDG ROOF REPLACEMENT
ORANGE COUNTY CONVENTION CENTER
9800 INTERNATIONAL DRIVE, ORLANDO, FL 32819

DESIGNED REPAIRS AND REPLACEMENT OF
 JOB NO.: 1603200
 DRAWN BY: TAH
 CHECKED BY: JJW
 DATE: 05-08-2017
 SCALE: NTS
 PLOT SCALE:
R502
 SHEET NO.:
 47 OF 108 SHEET(S)

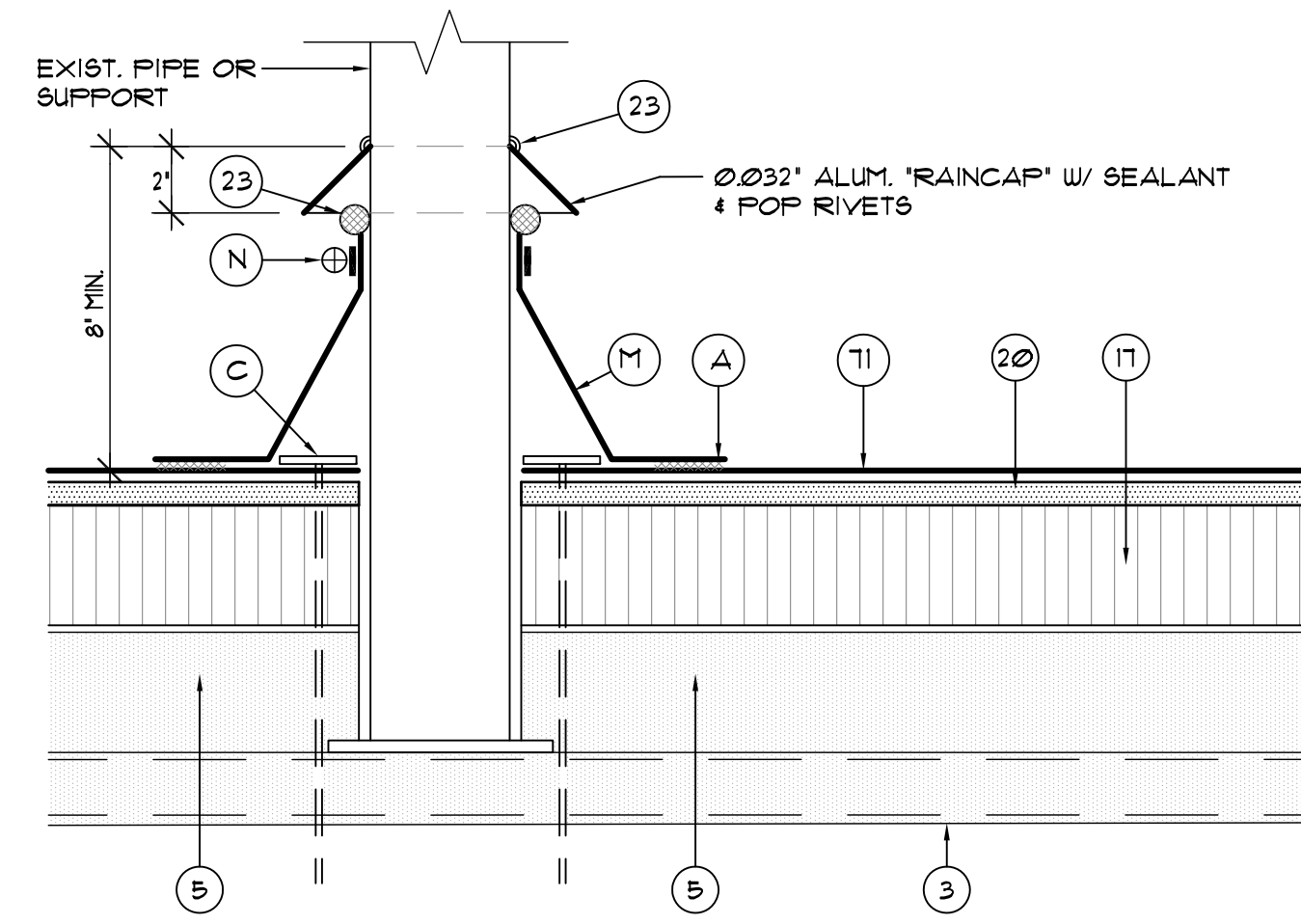
DETAILS 5.13 THRU 5.20



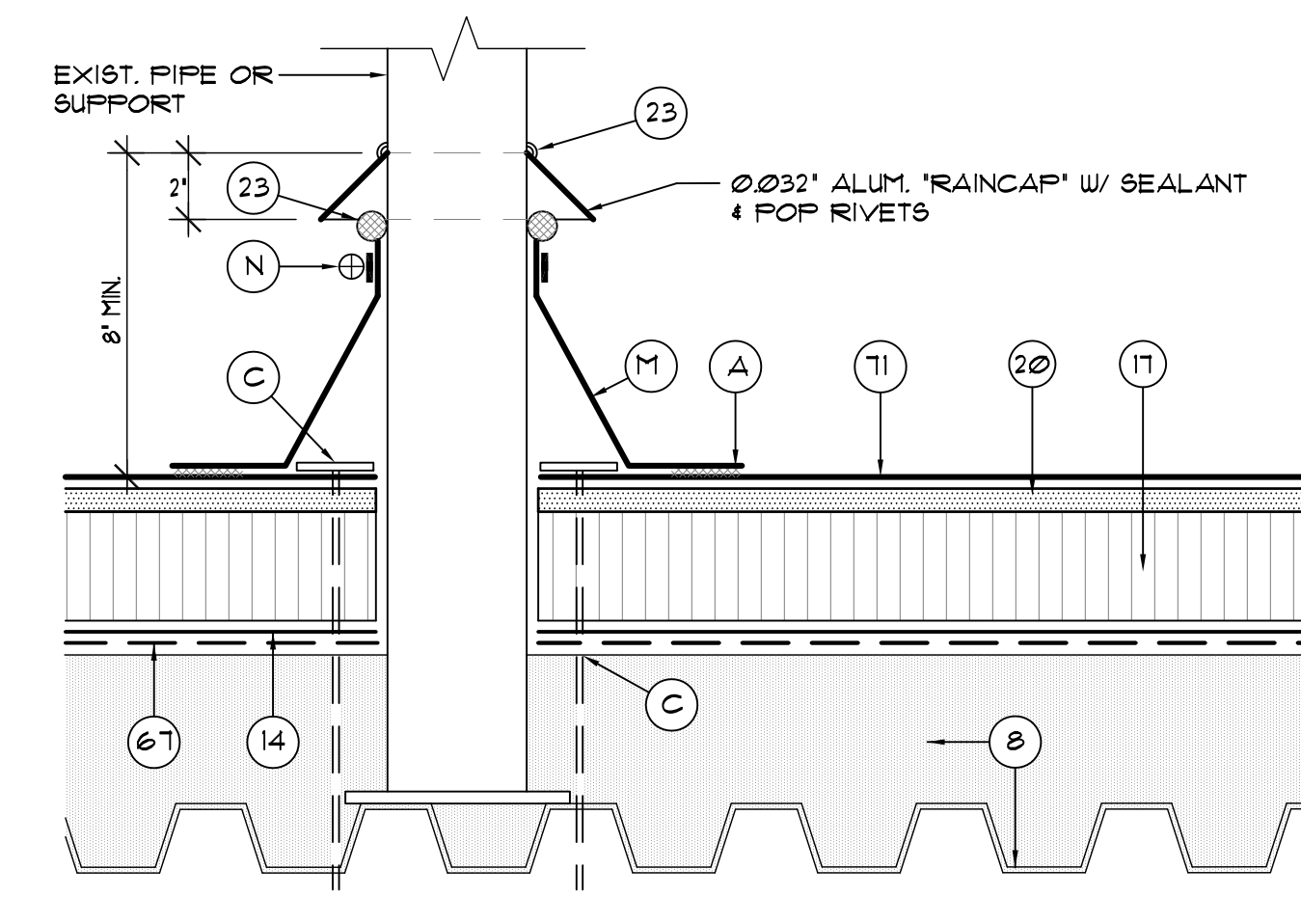
6.01 VENT STACK FLASHING DETAIL
SCALE: 3/4"=1'-0"



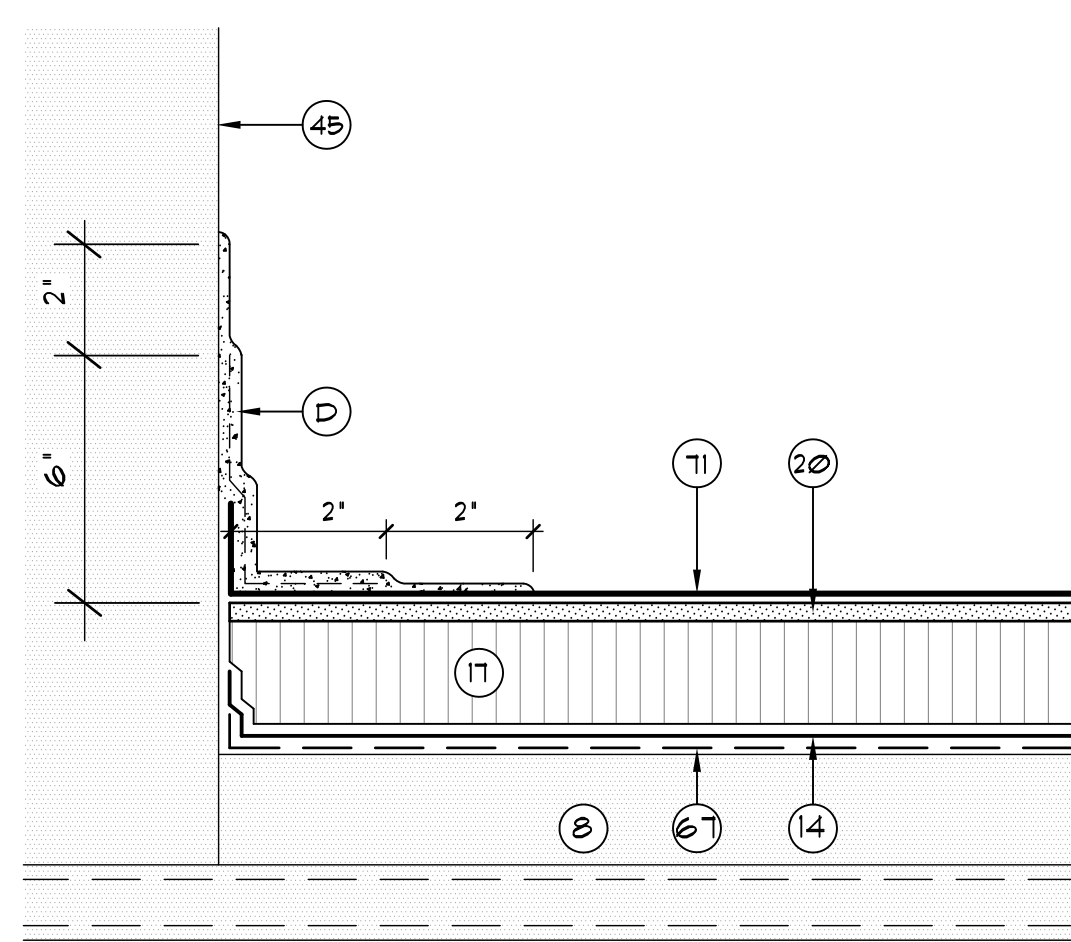
6.02 TYP. VENT STACK DETAIL
SCALE: 3/4"=1'-0"



6.03 VENT PENETRATION PIPE FLASHING DETAIL
SCALE: 3/4"=1'-0"



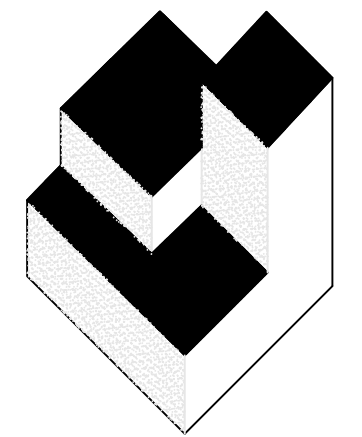
6.04 VENT PENETRATION PIPE FLASHING DETAIL
SCALE: 3/4"=1'-0"



6.05 STRUCTURAL PENETRATION FLASHING DETAIL
SCALE: 3/4"=1'-0"

DETAILS NOTES

1. EXISTING STRUCTURAL CONCRETE DECK
2. EXIST. METAL STUD WALL
3. EXISTING METAL DECK
4. EXISTING PRECAST CONC. PANEL PARAPET
5. EXIST. RIGID INSULATION TO REMAIN
6. EXIST. SHEATHING TO REMAIN
7. EXISTING PENETRATION - EXTEND AS REQ'D TO PROVIDE MIN HEIGHT INDICATED
8. LIGHTWEIGHT INSULATION CONCRETE DECK
9. EXISTING MECHANICAL EQUIPMENT
10. EXISTING CURB TO REMAIN
11. EXISTING CONCRETE/CMU BLOCK WALL
12. PRELIMINARY ROOF
13. BATT INSULATION
14. NON-TAPERED RIGID INSULATION
15. TAPERED RIGID INSULATION
16. 1/2" GYPSUM ROOF BOARD
17. SURFACE APPLIED TERMINATION BAR
18. TWO-PIECE SURFACE APPLIED COUNTERFLASHING - SEE REFERENCED DETAIL
19. SEALANT
20. FLASHING TAPE
21. CONTINUOUS CLEAT
22. SCUPPER 4 DOWNSPOUT CONNECTION - SEE REFERENCED DETAIL
23. NEW SCUPPER 4 CONDUCTOR HEAD W/ 2 BRACKETS - SEE REFERENCED DETAIL
24. NEW SCUPPER - SEE REFERENCED DETAIL
25. P.T. WOOD BLOCKING TO BE FASTENED AT 12" O.C. (MAX.) AND STAGGER - COUNTERSINK HEADS
26. 3/4" FLYWOOD - SCREW FASTEN @ 8" O.C. (MAX.) TOP 4 BOTTOM 4 STAGGER - COUNTERSINK HEADS
27. ROUND OFF THIS EDGE
28. NEW ROOF DRAIN - ADJUST ELEV. ABOVE DECK IN FIELD
29. EXISTING STRUCTURE
30. NEW OVERFLOW DRAIN
31. TAPERED RIGID INSULATION BOARD SUMP
32. 24 GA ST. STL. SKIRT METAL
33. PARAPET COPING CAP - SEE REFERENCED DETAIL
34. METAL EDGE DETAIL - SEE DETAIL
35. VENTED BASE SHEET
36. FLEXIBLE SHEET FLASHING
37. FLEXIBLE SHEET MEMBRANE
38. EXISTING WOOD BLOCKING TO REMAIN. REPLACE WHERE DAMAGED OR DETERIORATED
39. HEAT WELD
40. MFR APPROVED ADHESIVE
41. FASTENER W/ STRESS PLATE
42. MANUFACTURER'S APPROVED FLEECE REINFORCED LIQUID APPLIED FLASHING SYSTEM
43. NEW ST. STL. FASTENER W/ NEOPRENE BACKED WASHER - BACK OUT EXIST. FASTENER AND REPLACE WITH ONE SIZE LARGER AT EXIST. LOCATIONS
44. EXIST. METAL PANEL WALL SYS. TO REMAIN
45. NEW UNDER DECK CLAMP
46. DRAIN PIPE - INSTALL NEW AS REQ'D
47. NEW STRAINER
48. NEW CLAMPING RING
49. NEW MFR'S STD. ADJUSTABLE HEIGHT COLLAR - ANCHOR TO DECK W/ 4-1/2" SCREWS
50. INFILL AREA AS NEEDED W/ FOAM OR RIGID INSULATION
51. PREFORMED STACK FLASHING
52. STAINLESS STEEL DRAW BAND
53. PROVIDE NEW 18 GA GALV. FRAMING AT PERIMETER OF SCUPPER FOR SUPPORT THROUGH WALL SYSTEM
54. BRACE EXIST. METAL PANEL OPENING W/ NEW 18 GA GALV. FRAMING AT PERIMETER OF EXIST. SCUPPER OPENING
55. ST. STL. DRIVE PIN FASTENER W/ NEOPRENE BACKED METAL WASHER @ 8" O.C.
56. EXISTING STUCCO
57. ANCHOR STRAPS PER REFERENCED DETAIL
58. NEW CLAMPING RING WITH RAISED HUB
59. 24 GA ST. STL. DRAIN COVER - ATTACH TO TOP OF STRAINER
60. INSTALL NEW 2"x6" METAL FRAME PARAPET WITH SPACING @ 16" O.C.
61. EXPANSION JOINT FILLER - CLOSED CELL POLYETHYLENE TUBING
62. 3" WIDE 26 GA ST. STL. RETAINER CLEATS @ 18" O.C. - ANCHOR W/ 2 FASTENERS EACH - BEND UP IN FIELD TO SECURE SKIRT METAL



A/R/C
Associates
Incorporated

Architecture
Roof Consulting
Construction Technology
LIC. NBR AAC000932
601 North Fern Creek Avenue
Suite 100 Orlando, FL
32803-4899
Tel. (407) 896-7875
Fax. (407) 898-6043
Copyright © A/R/C ASSOCIATES, INC.

JAMES W. RIPLEY AR-0018788
JOSEPH J. WILLIAMS AR-007984

| REVISIONS | | |
|-----------|------|-----|
| NO. | DATE | BY: |
| | | |

SGM
ENGINEERING
MEP CONSULTING ENGINEERS
935 Lake Baldwin Lane
Orlando, FL 32814
Tel. 407-767-5188
Fax. 407-767-5772
www.sgmengineering.com
Copyright © 2014 SGM Engineering, Inc.

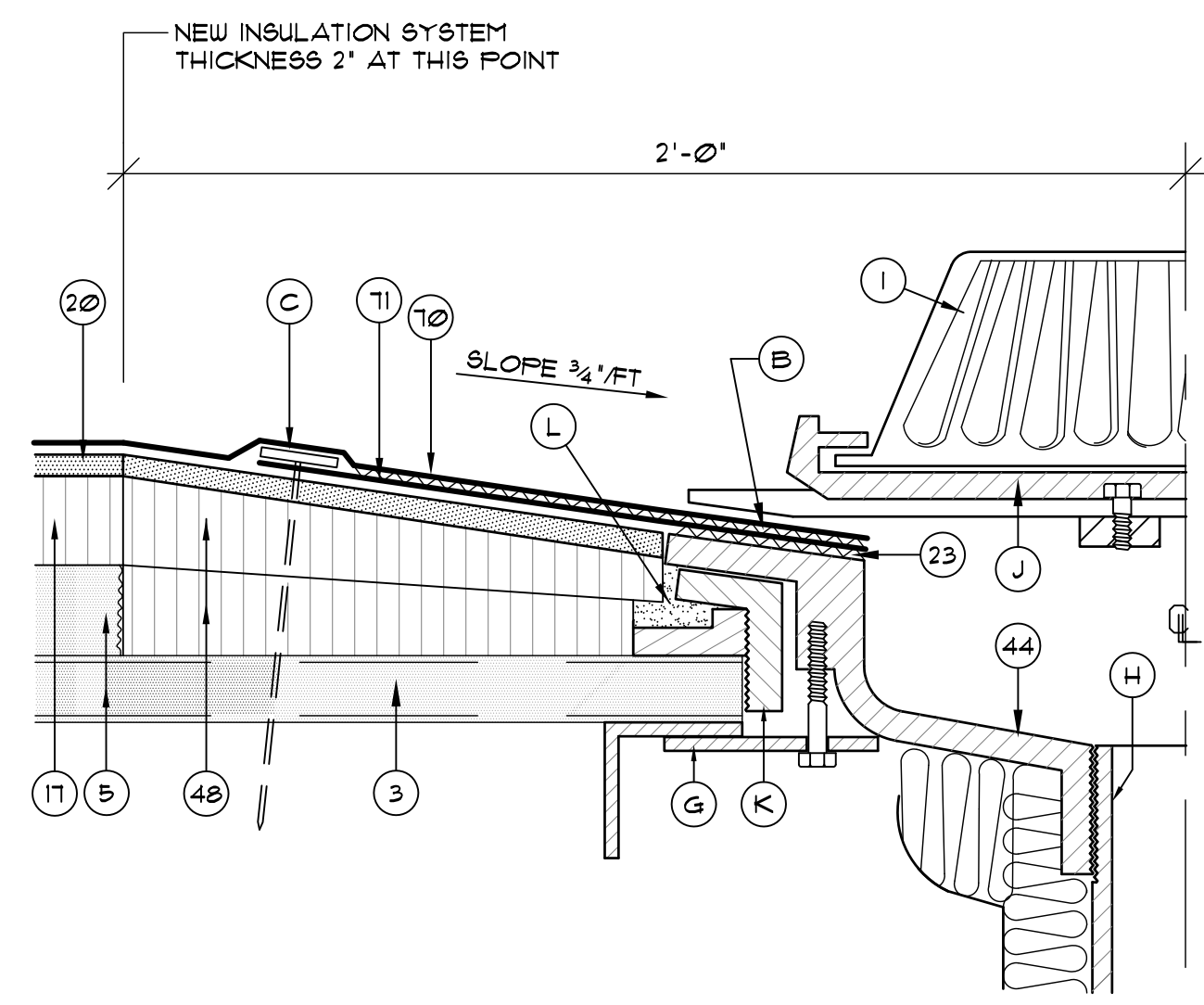
BASE
Engineering & Construction
CORPORATION
1714 EAST CHANDLER STREET
ORLANDO, FLORIDA 32813
P. 407.377.7277

DESIGNATED REPAIRS AND REPLACEMENT OF:
OCCC WEST BLDG ROOF REPLACEMENT
ORANGE COUNTY CONVENTION CENTER
9800 INTERNATIONAL DRIVE, ORLANDO, FL 32819

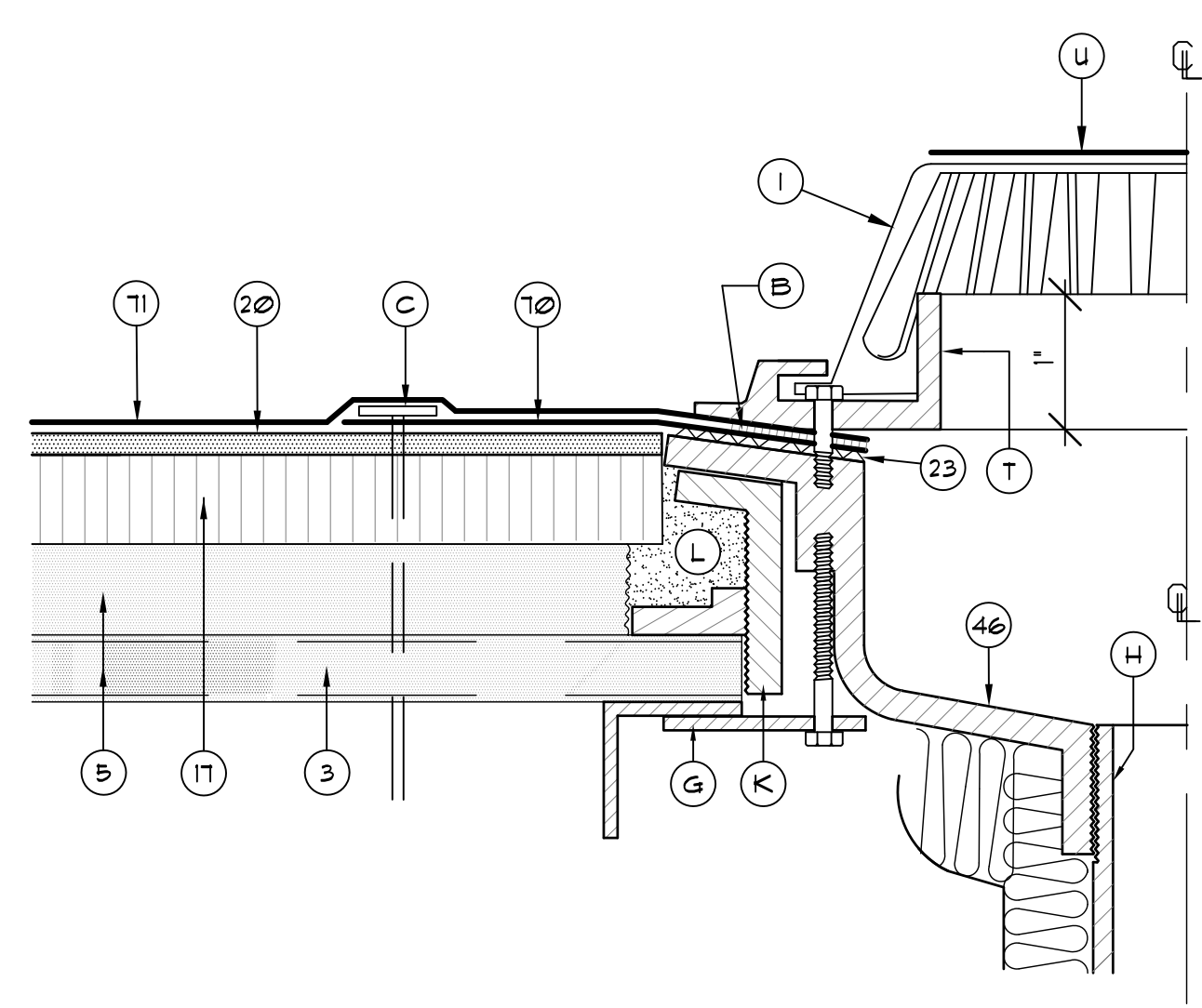
DETAILS 6.01 THRU 6.05
JOB NO.: 16032.00
DRAWN BY: TAH
CHECKED BY: JJW
DATE: 05-08-2017
SCALE: NTS
PLOT SCALE:

R601

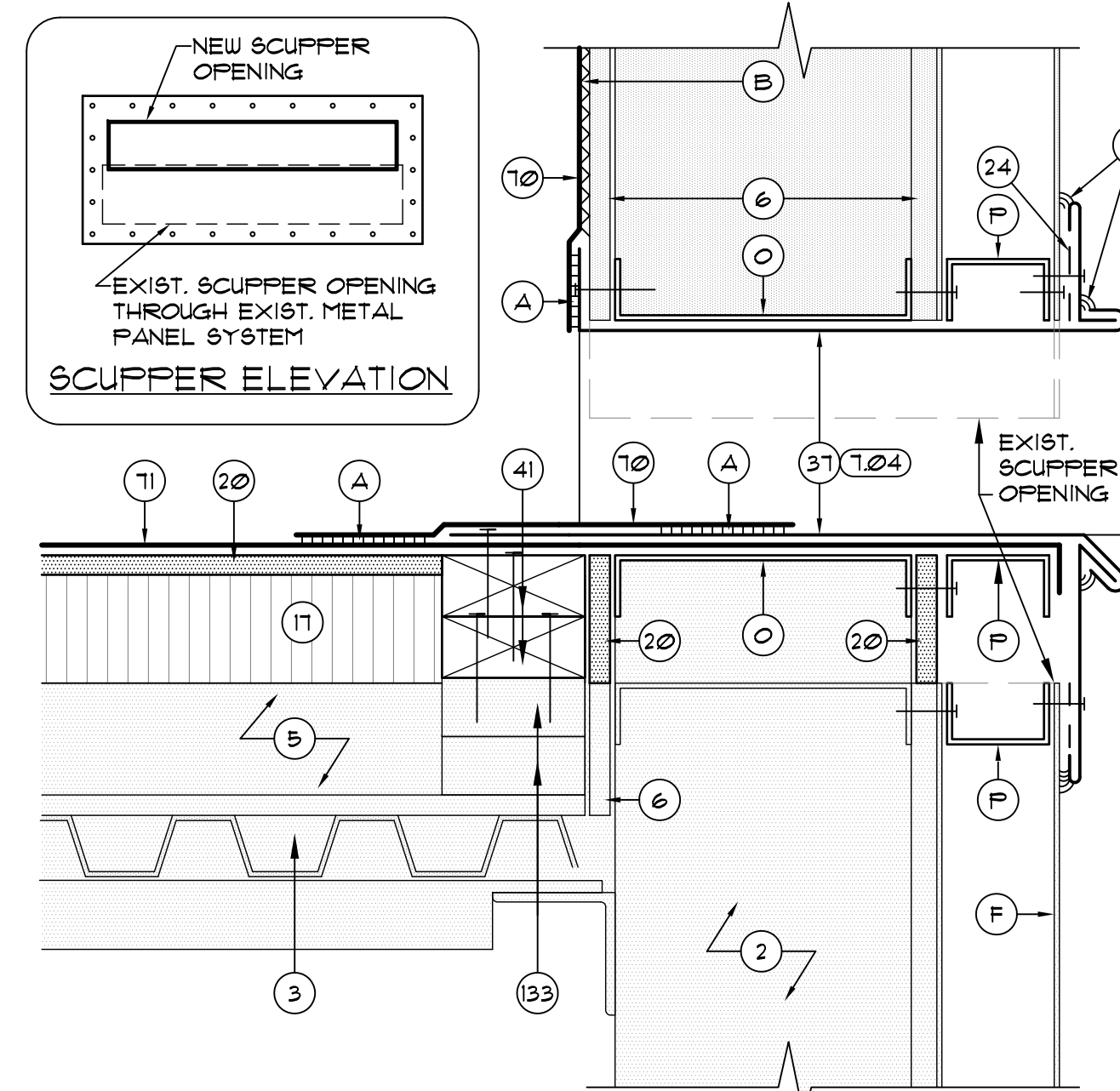
SHEET NO.:
48 OF 106 SHEET(S)



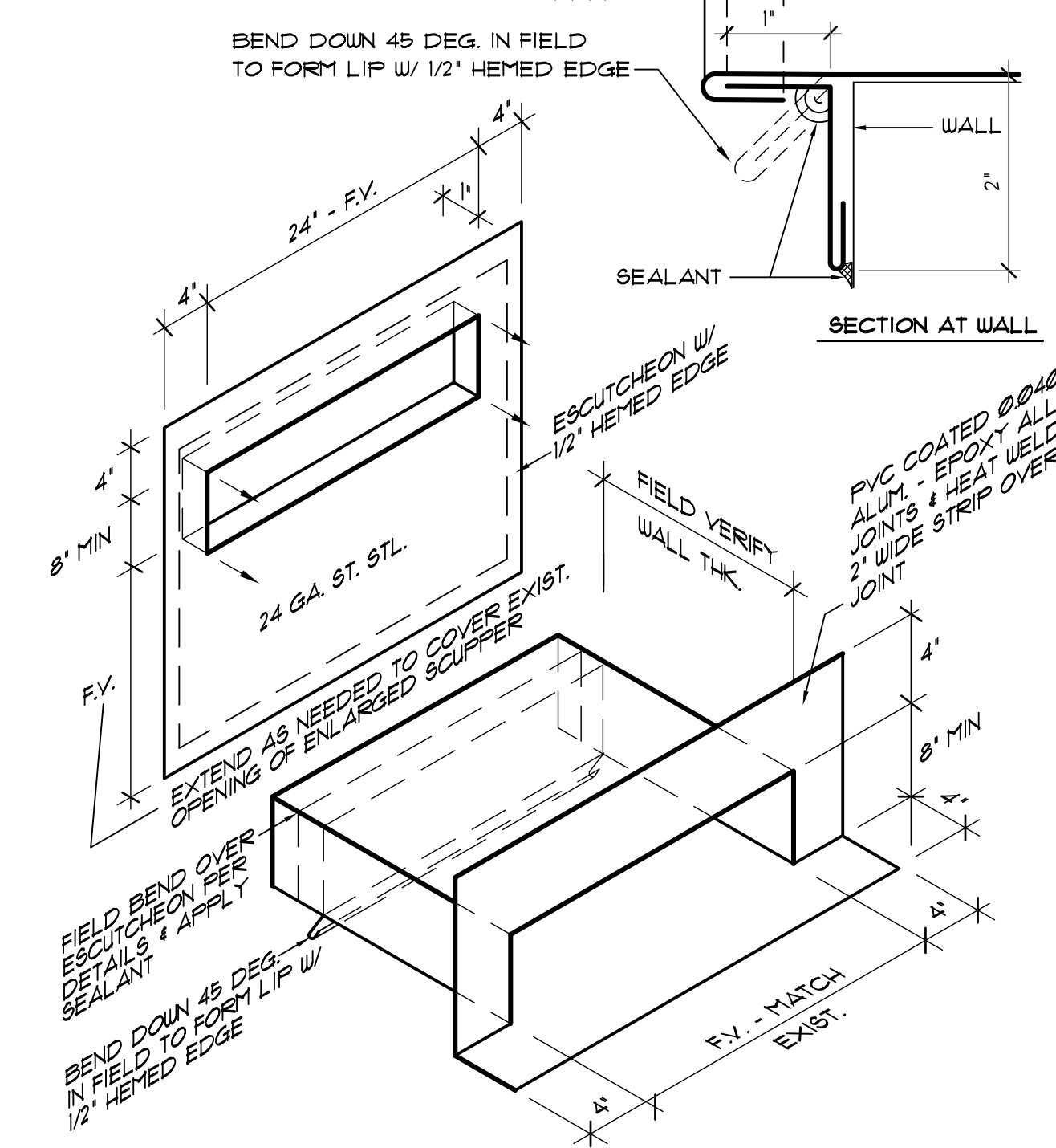
7.101 TYP. INTERNAL ROOF DRAIN DETAIL
SCALE: 3/4"=1'-0"



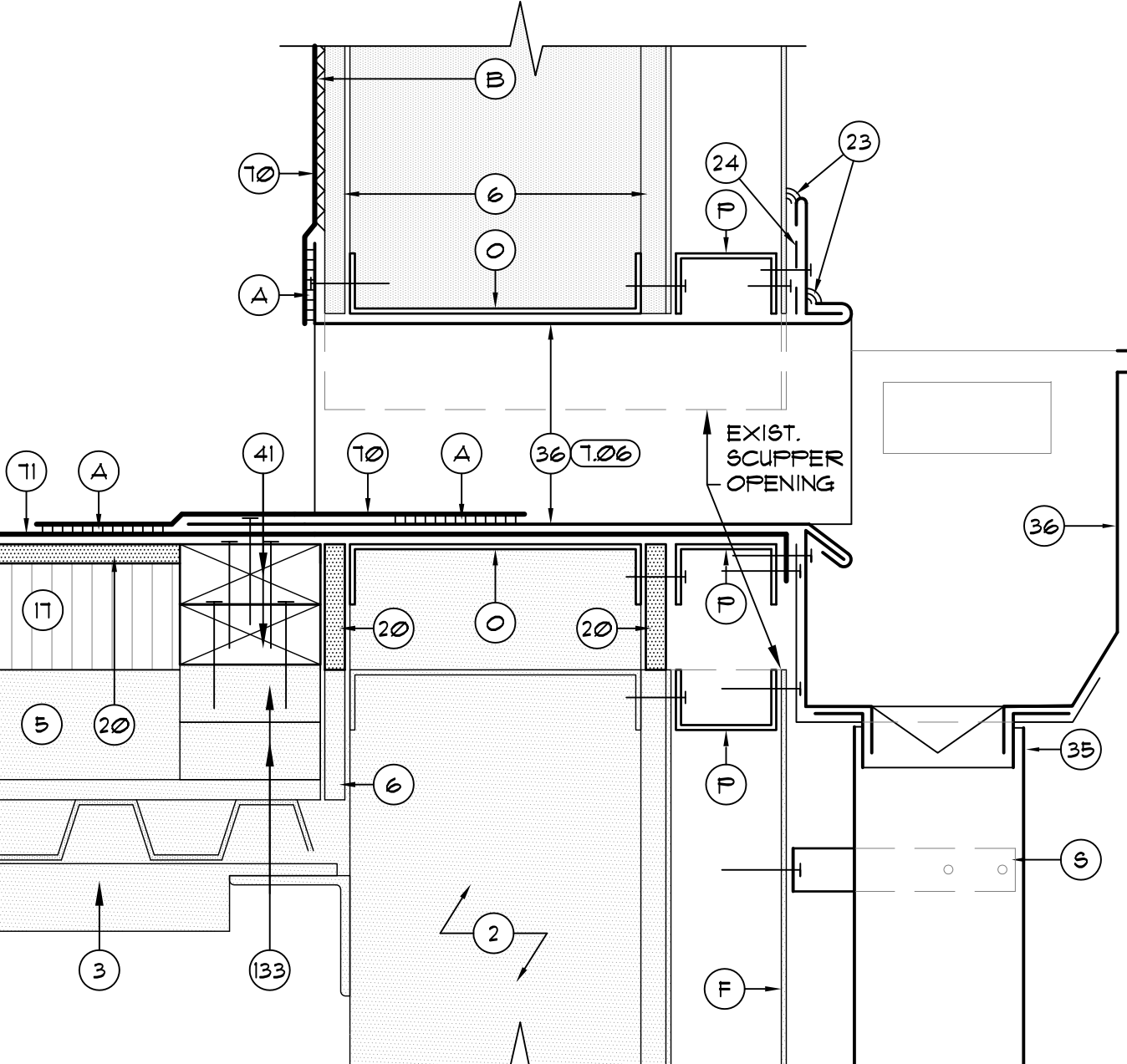
7.102 TYP. OVERFLOW ROOF DRAIN DETAIL
SCALE: 3/4"=1'-0"



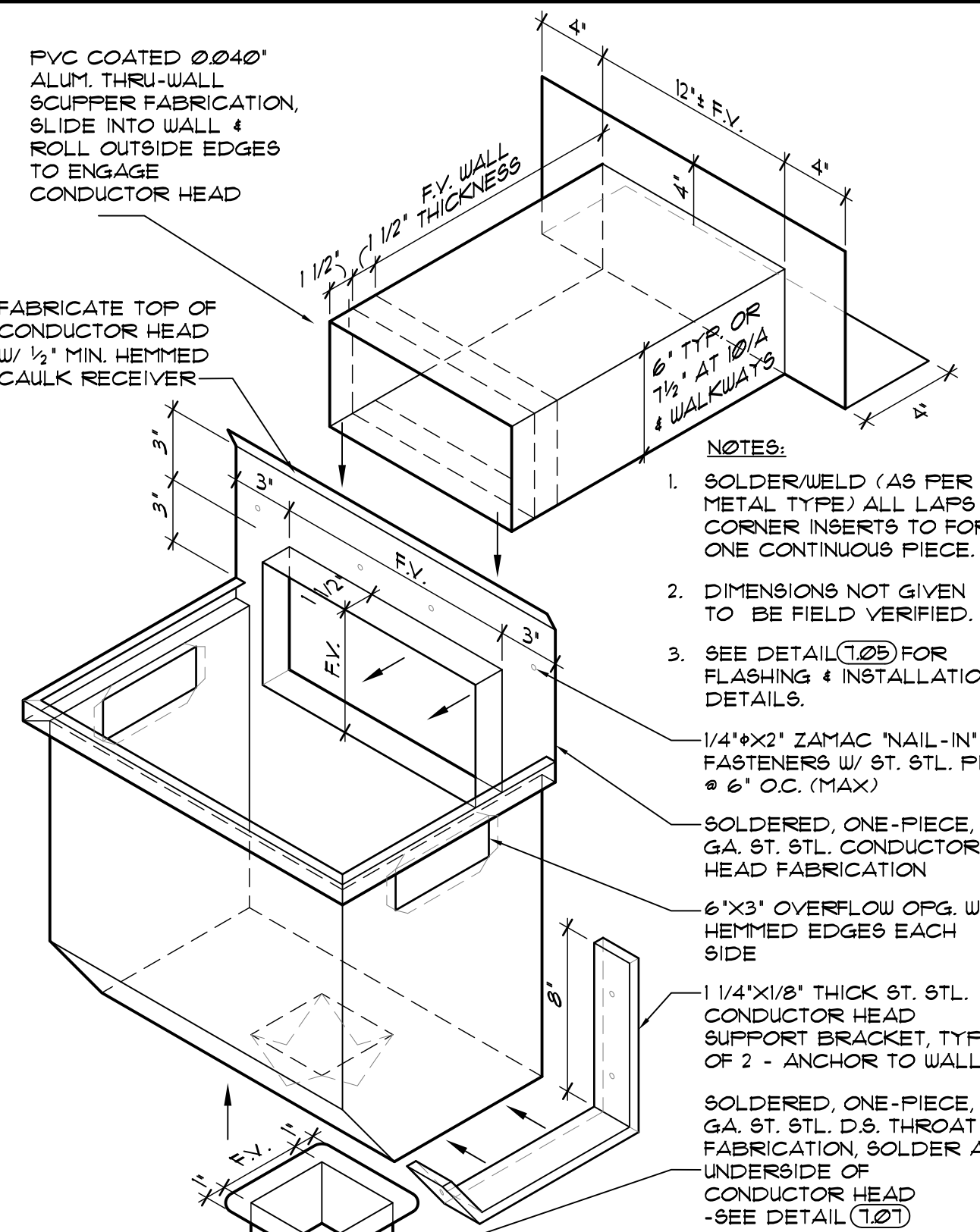
7.103 TYP. OVERFLOW SCUPPER INSTALLATION & FLASHING
SCALE: 3/4"=1'-0"



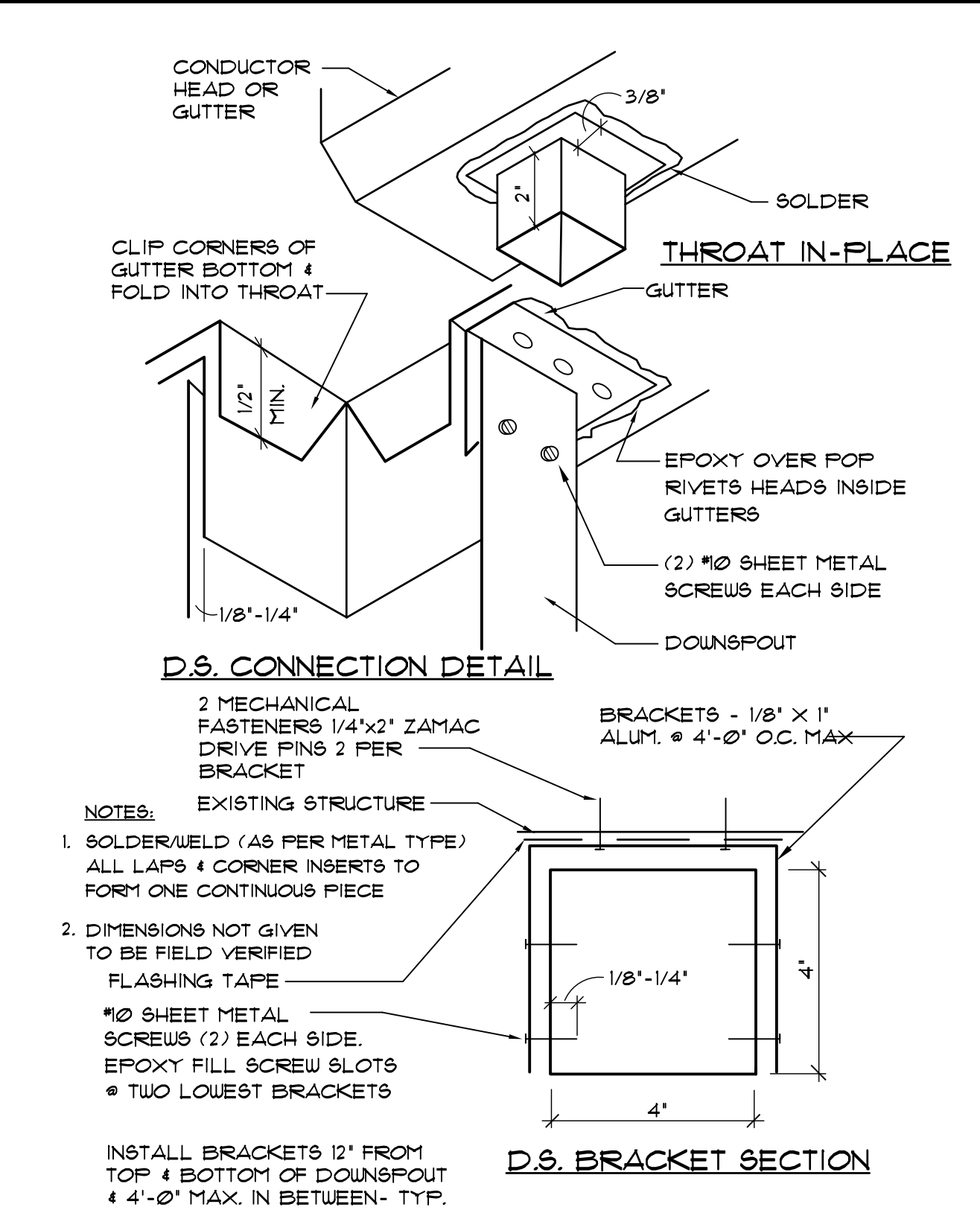
7.104 OVERFLOW SCUPPER FABRICATION
SCALE: 3/4"=1'-0"



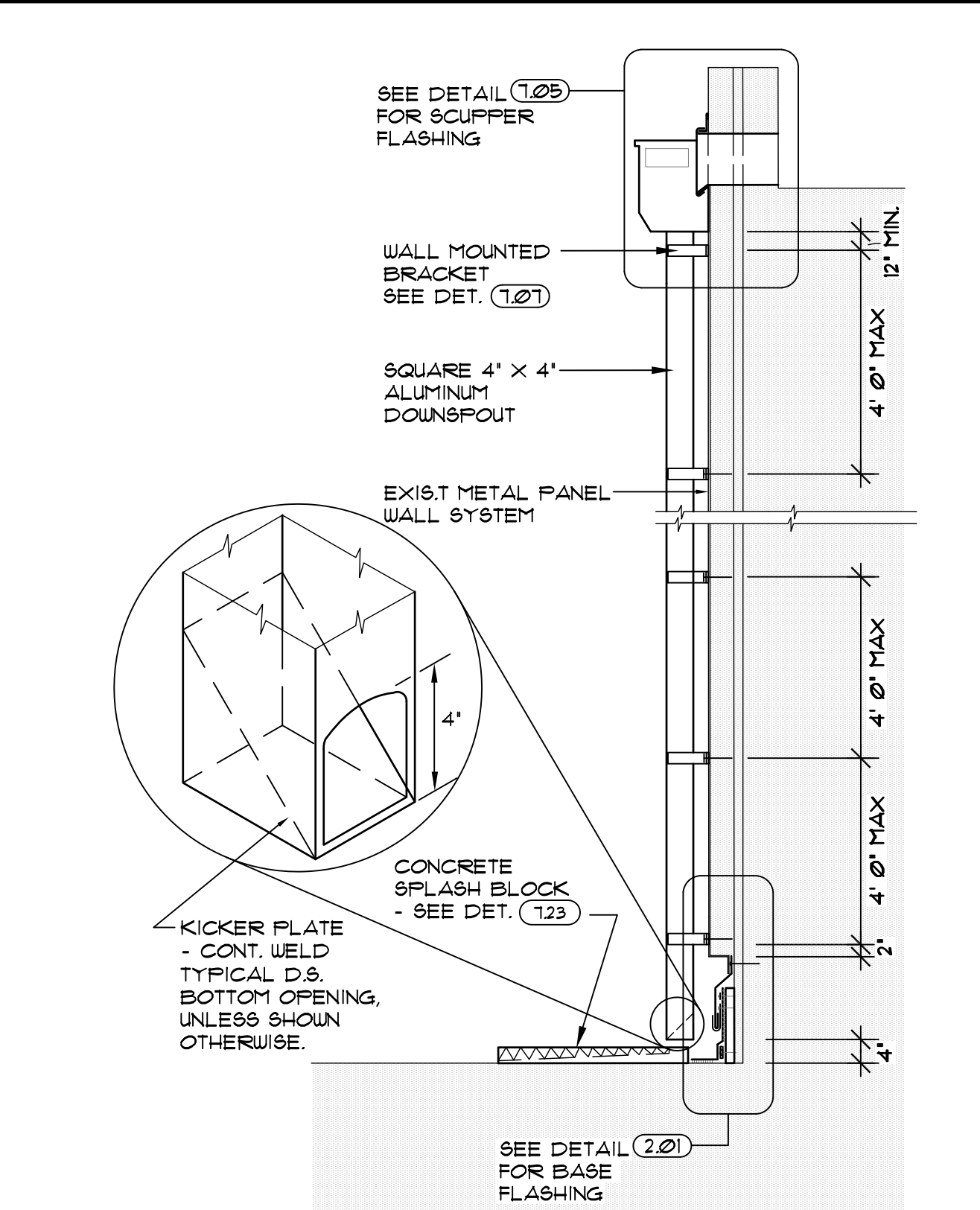
7.105 OVERFLOW SCUPPER W/ CONDUCTOR HEAD
SCALE: 3/4"=1'-0"



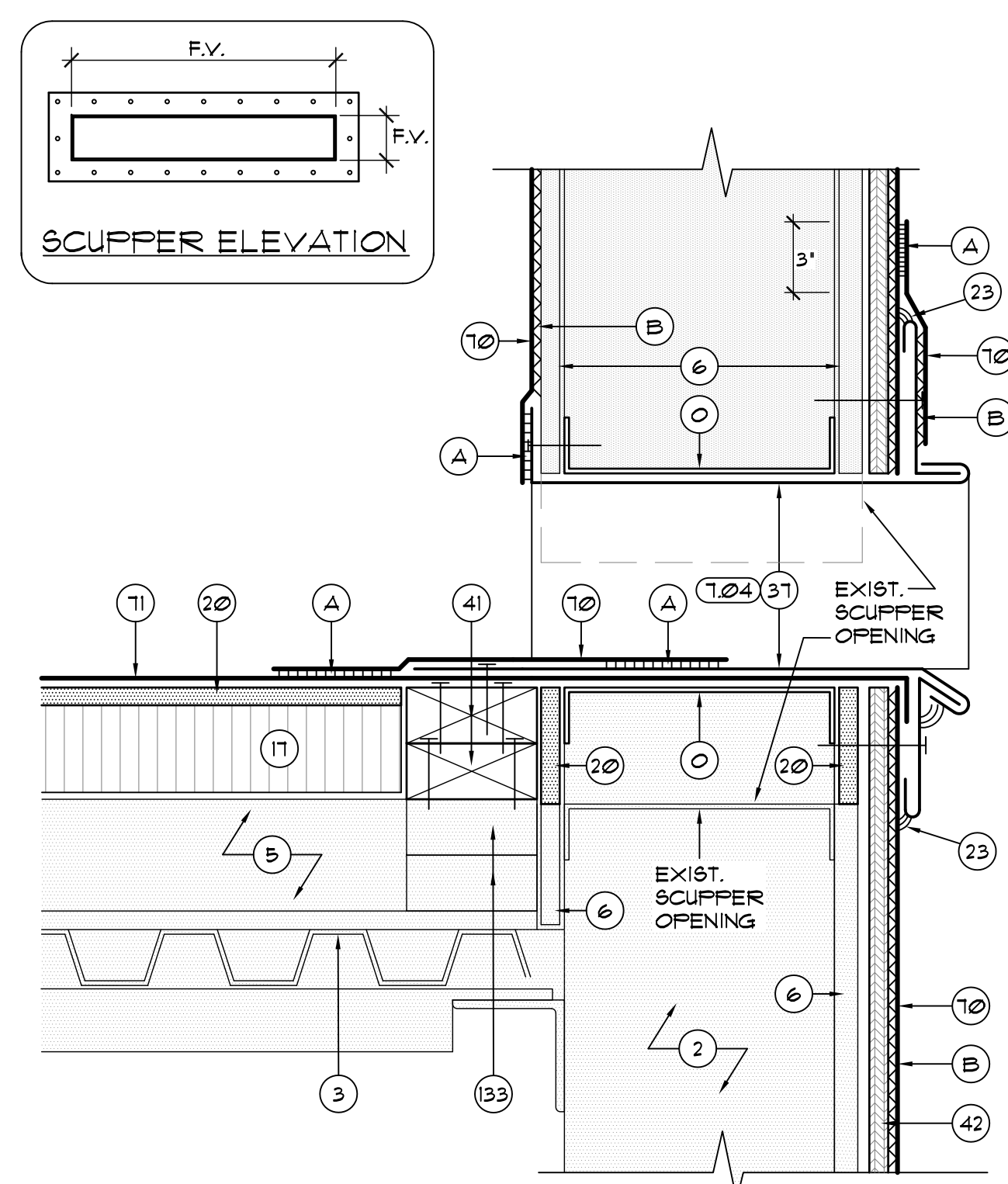
7.106 SCUPPER AND CONDUCTOR HEAD FABRICATION
SCALE: 3/4"=1'-0"



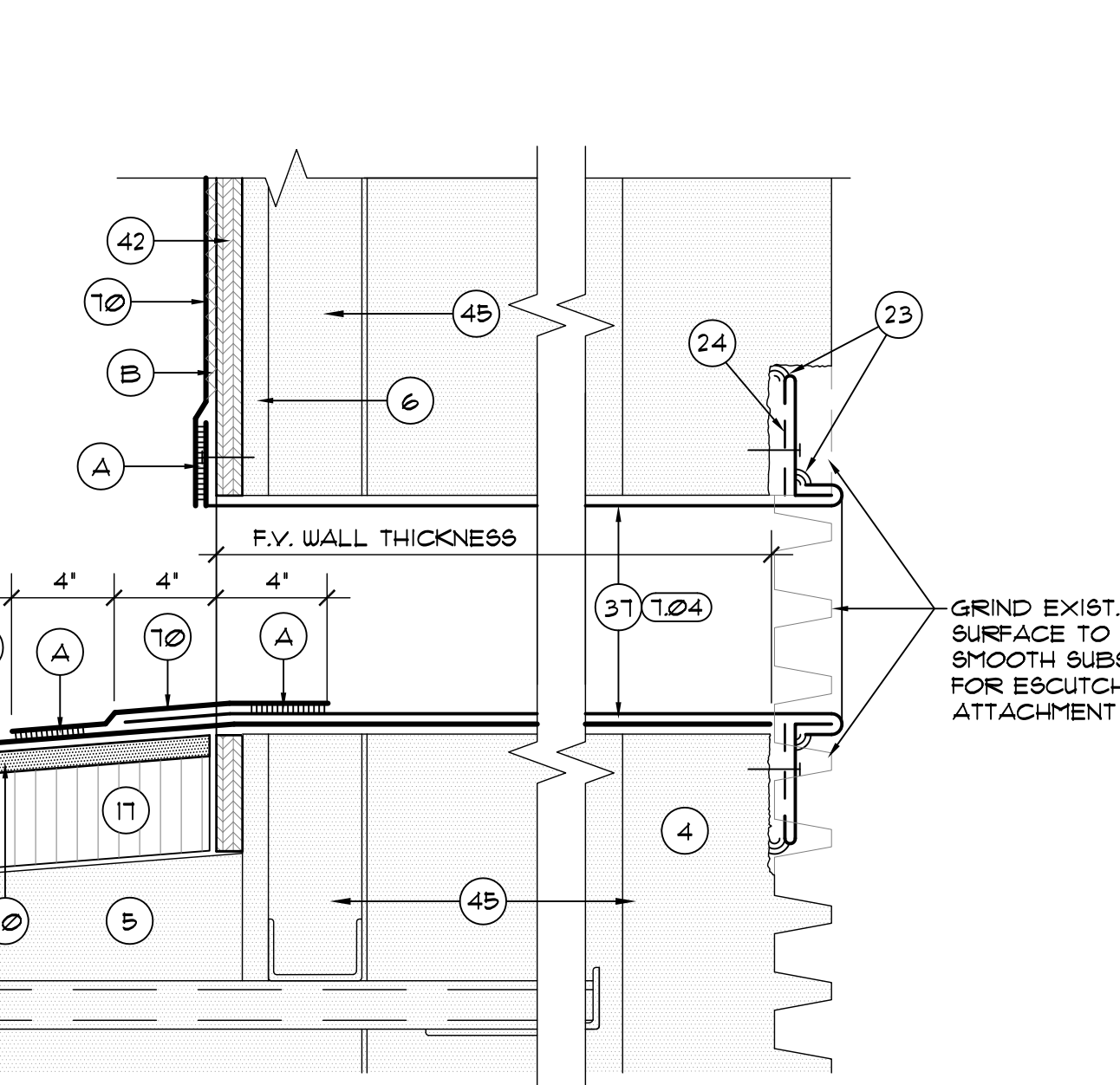
7.107 DOWNSPOUT CONNECTION DETAIL
SCALE: 3/4"=1'-0"



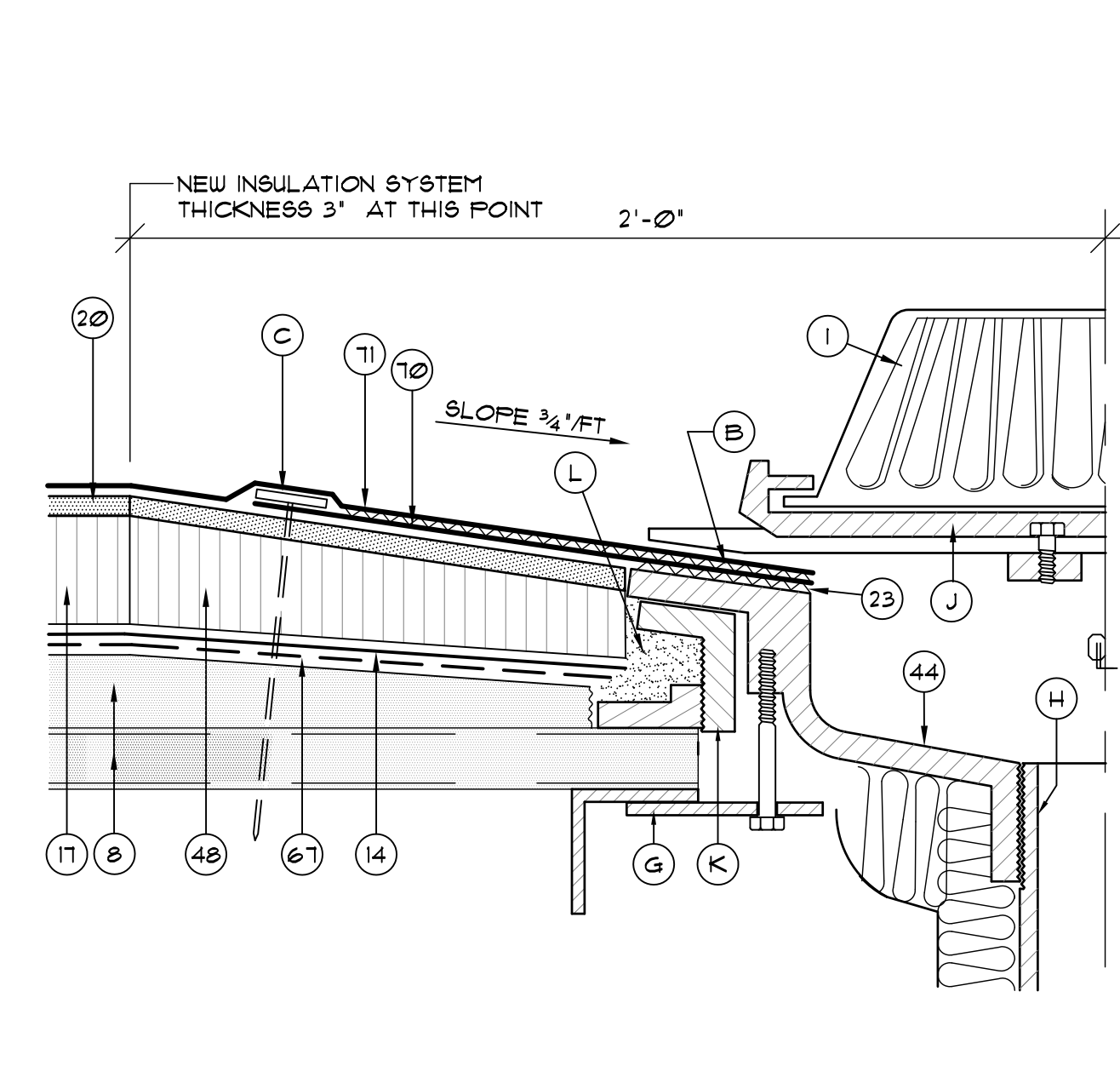
7.108 TYP. DOWNSPOUT CONNECTION DETAIL AT WALL
SCALE: 3/4"=1'-0"



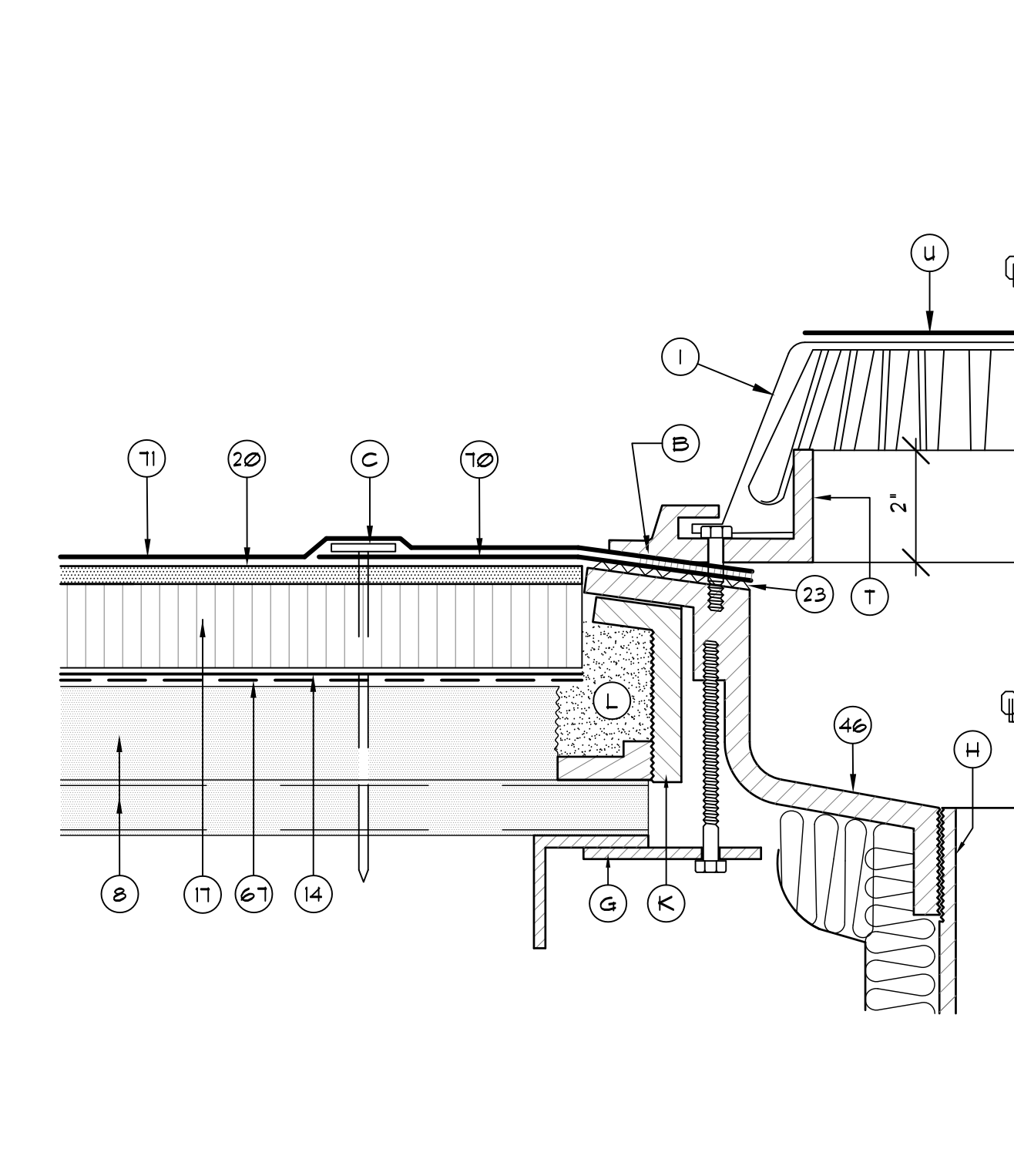
7.109 TYP. OVERFLOW SCUPPER
SCALE: 3/4"=1'-0"



7.110 NEW OVERFLOW SCUPPER AT ROOF 3/K
SCALE: 3/4"=1'-0"



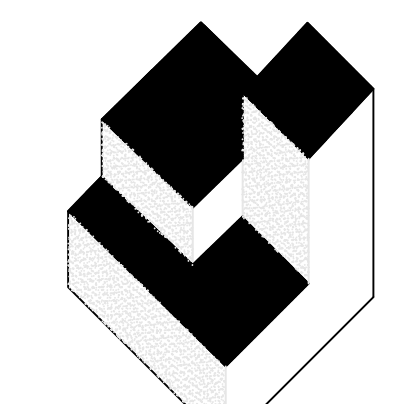
7.111 TYP. INTERNAL ROOF DRAIN DETAIL
SCALE: 3/4"=1'-0"



7.112 TYP. OVERFLOW ROOF DRAIN DETAIL
SCALE: 3/4"=1'-0"

DETAILS NOTES

1. EXISTING STRUCTURAL CONCRETE DECK
2. EXIST. METAL STUD WALL
3. EXISTING METAL DECK
4. EXISTING PRECAST CONC. PANEL PARAPET
5. EXIST. RIGID INSULATION TO REMAIN
6. EXIST. SHEATHING TO REMAIN
7. EXISTING PENETRATION - EXTEND AS REQ'D TO PROVIDE MIN HEIGHT INDICATED
8. LIGHTWEIGHT INSULATION CONCRETE DECK
9. EXISTING MECHANICAL EQUIPMENT
10. EXISTING CURB TO REMAIN
11. EXISTING CONCRETE/CMU BLOCK WALL
12. PRELIMINARY ROOF
13. BATT INSULATION
14. NON-TAPERED RIGID INSULATION
15. TAPERED RIGID INSULATION
16. 1/2" GYPSUM ROOF BOARD
17. SURFACE APPLIED TERMINATION BAR
18. TWO-PIECE SURFACE APPLIED COUNTERFLASHING - SEE REFERENCED DETAIL
19. SEALANT
20. FLASHING TAPE
21. CONTINUOUS CLEAT
22. SCUPPER & DOWNSPOUT CONNECTION - SEE REFERENCED DETAIL
23. NEW SCUPPER & CONDUCTOR HEAD W/ 2 BRACKETS - SEE REFERENCED DETAIL
24. NEW SCUPPER - SEE REFERENCED DETAIL
25. P.T. WOOD BLOCKING TO BE FASTENED AT 12" O.C. (MAX.) AND STAGGER - COUNTERSINK HEADS
26. 3/4" FLYWOOD - SCREW FASTEN @ 8" O.C. (MAX.) TOP & BOTTOM & STAGGER - COUNTERSINK HEADS
27. ROUND OFF THIS EDGE
28. NEW ROOF DRAIN - ADJUST ELEV. ABOVE DECK IN FIELD
29. EXISTING STRUCTURE
30. NEW OVERFLOW DRAIN
31. TAPERED RIGID INSULATION BOARD SUMP
32. 24 GA ST. STL. SKIRT METAL
33. PARAPET COPING CAP - SEE REFERENCED DETAIL
34. METAL EDGE DETAIL - SEE DETAIL
35. VENTED BASE SHEET
36. FLEXIBLE SHEET FLASHING
37. FLEXIBLE SHEET MEMBRANE
38. EXISTING WOOD BLOCKING TO REMAIN. REPLACE WHERE DAMAGED OR DETERIORATED
39. HEAT WELD
40. MFR APPROVED ADHESIVE
41. FASTENER W/ STRESS PLATE
42. MANUFACTURER'S APPROVED FLEECE REINFORCED LIQUID APPLIED FLASHING SYSTEM
43. NEW ST. STL. FASTENER W/ NEOPRENE BACKED WASHER - BACK OUT EXIST. FASTENER AND REPLACE WITH ONE SIZE LARGER AT EXIST. LOCATIONS
44. EXIST. METAL PANEL WALL SYS TO REMAIN
45. NEW UNDER DECK CLAMP
46. DRAIN PIPE - INSTALL NEW AS REQ'D
47. NEW STRAINER
48. NEW CLAMPING RING
49. NEW MFR'S STD. ADJUSTABLE HEIGHT COLLAR - ANCHOR TO DECK W/ 4-1/2" SCREWS
50. INFILL AREA AS NEEDED W/ FOAM OR RIGID INSULATION
51. PREFORMED STACK FLASHING
52. STAINLESS STEEL DRAW BAND
53. PROVIDE NEW 18 GA GALV. FRAMING AT PERIMETER OF SCUPPER FOR SUPPORT THROUGH WALL SYSTEM
54. BRACE EXIST. METAL PANEL OPENING W/ NEW 18 GA GALV. FRAMING AT PERIMETER OF EXIST. SCUPPER OPENING
55. ST. STL. DRIVE PIN FASTENER W/ NEOPRENE BACKED METAL WASHER @ 8" O.C.
56. EXISTING STUCCO
57. ANCHOR STRAPS PER REFERENCED DETAIL
58. NEW CLAMPING RING WITH RAISED HUB
59. 24 GA ST. STL. DRAIN COVER - ATTACH TO TOP OF STRAINER
60. INSTALL NEW 2"x6" METAL FRAME PARAPET WITH SPACING @ 16" O.C.
61. EXPANSION JOINT FILLER - CLOSED CELL POLYETHYLENE TUBING
62. 3" WIDE 26 GA ST. STL. RETAINER CLEATS @ 18" O.C. - ANCHOR W/ 2 FASTENERS EACH - BEND UP IN FIELD TO SECURE SKIRT METAL



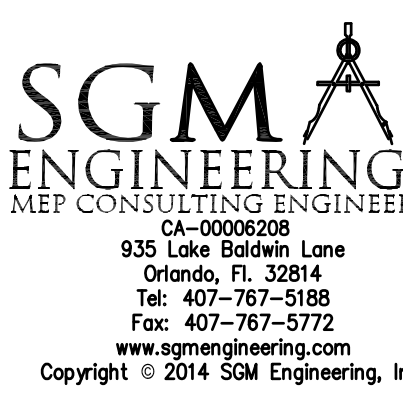
A/R/C Associates Incorporated

Architecture
Roof Consulting
Construction Technology
LIC. NBR AAC000932
601 North Fern Creek Avenue
Suite 100 Orlando, FL
32805-4899
Tel. (407) 896-7875
Fax. (407) 898-6043
COPYRIGHT © A/R/C ASSOCIATES, INC.

JAMES W. RIPLEY AR-0018780
JOSEPH J. WILLIAMS AR-007984

REVISIONS

| NO. | DATE | BY: |
|-----|------|-----|
| | | |



SGM ENGINEERING & MEP CONSULTING ENGINEERS
INCORPORATED
935 Lake Botolph Lane
Orlando, FL 32814
Tel. 407-767-5188
Fax. 407-767-5772
www.sgmengineering.com
Copyright © 2014 SGM Engineering, Inc.



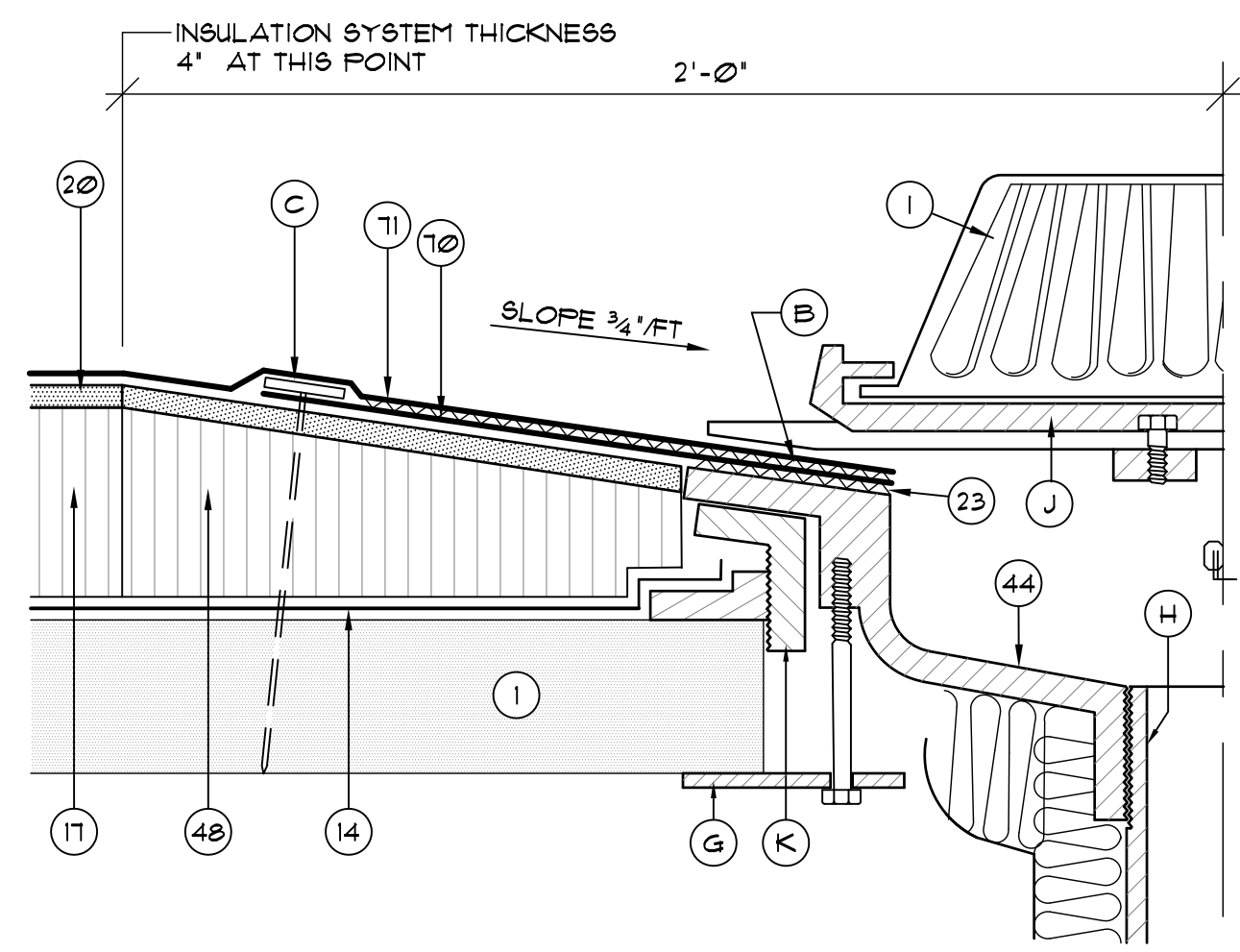
BASE Engineering & Construction
INCORPORATED
1714 EAST GORHAM STREET
ORLANDO, FLORIDA 32803
P. 407-377-7277

DESIGNATED REPAIRS AND REPLACEMENT OF
OCCC WEST BLDG ROOF REPLACEMENT
ORANGE COUNTY CONVENTION CENTER
9800 INTERNATIONAL DRIVE, ORLANDO, FL 32819

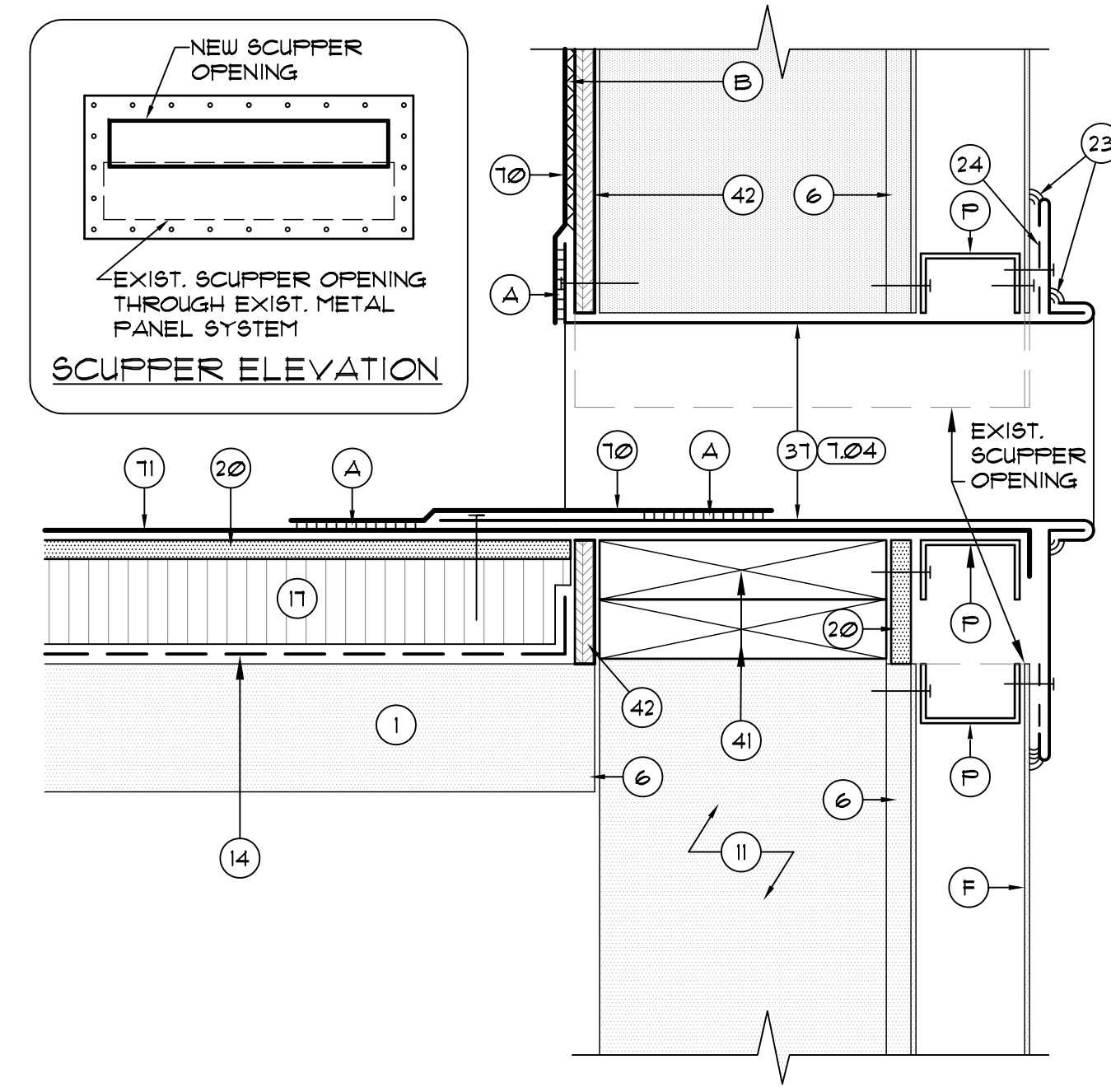
JOB NO.: 16032.00
DRAWN BY: TAH
CHECKED BY: JJW
DATE: 05-08-2017
SCALE: NTS
PLOT SCALE:

R701
SHEET NO.:
49 OF 105 SHEET(S)

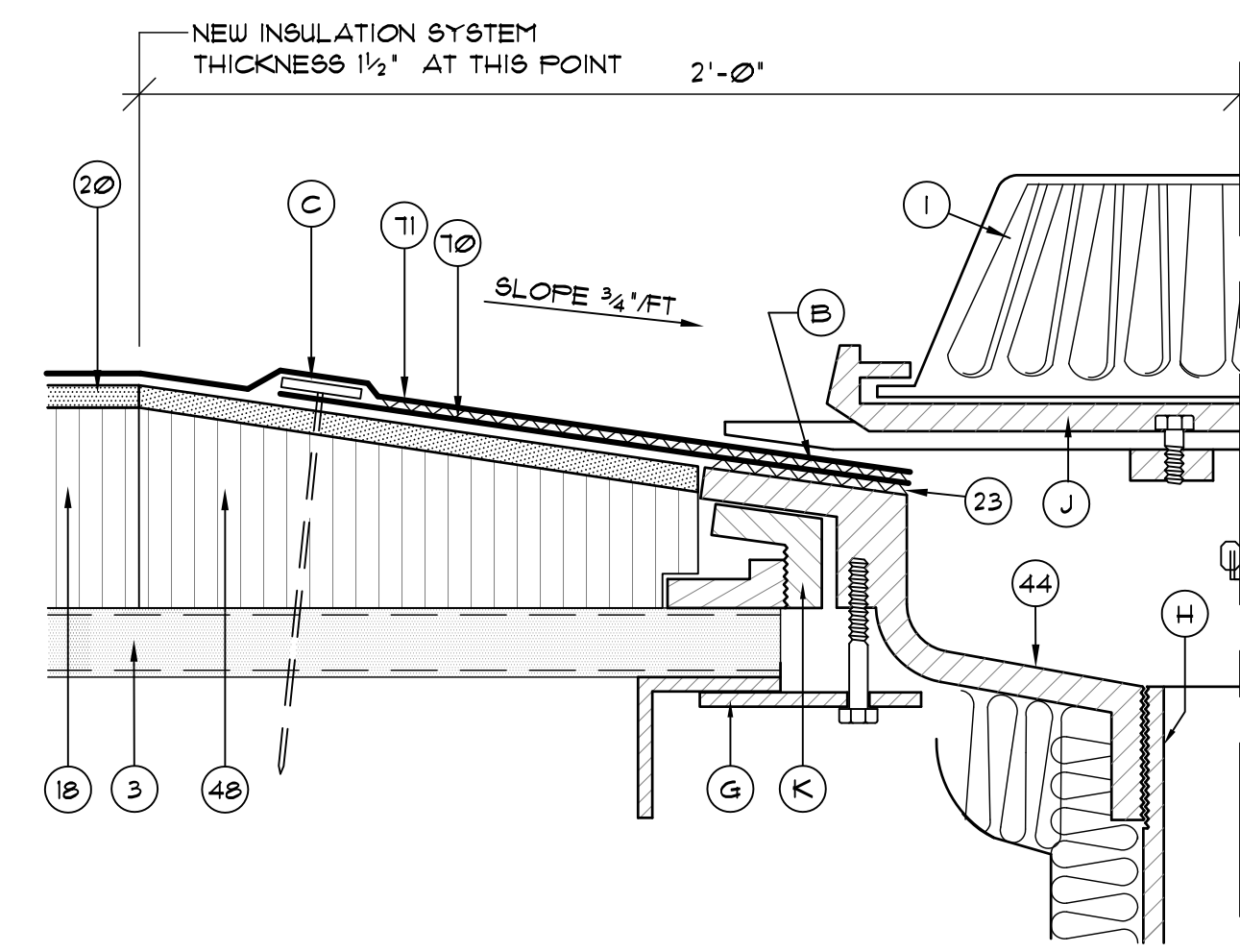
DETAILS 7.01 THRU 7.12



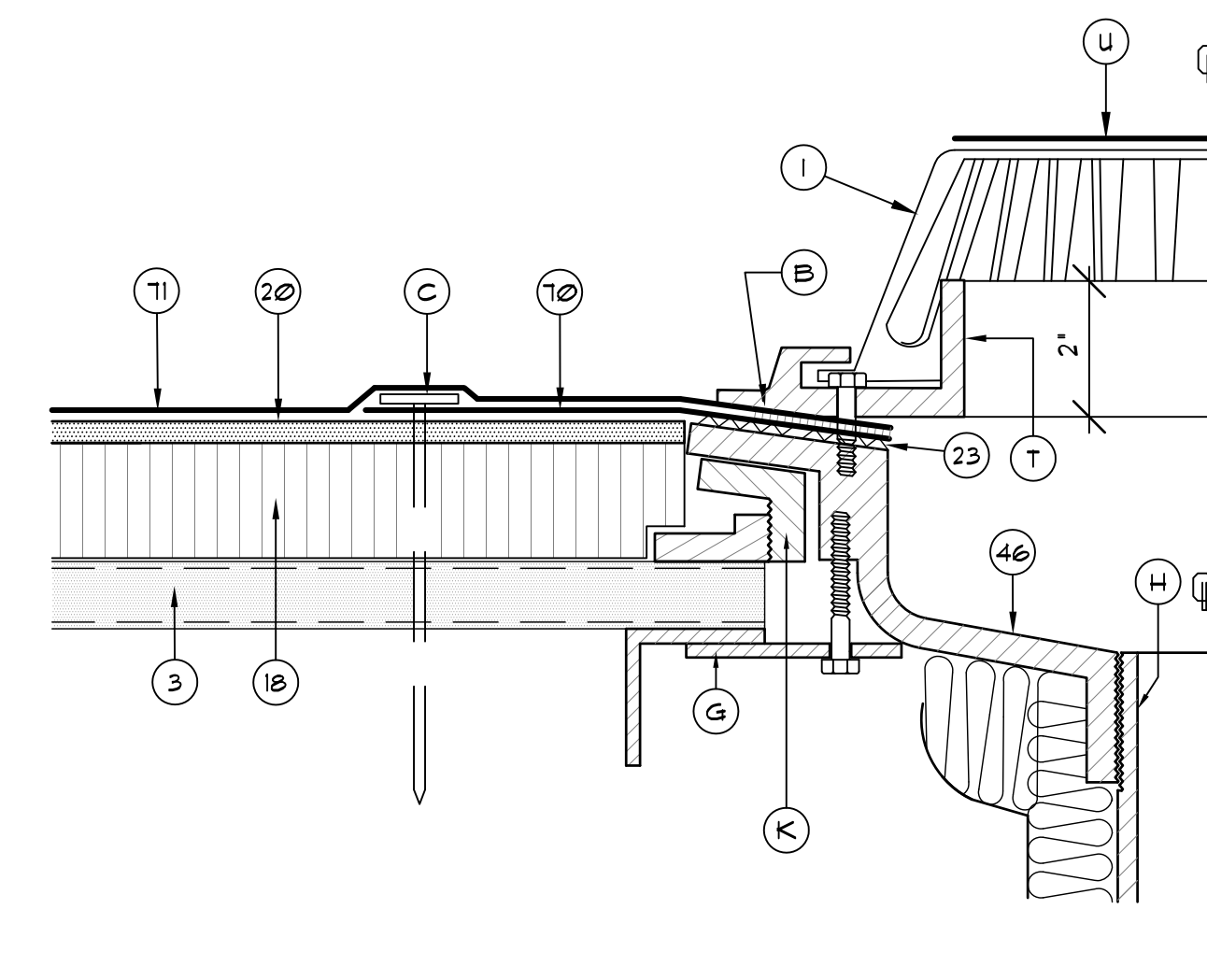
7.13 TYP. INTERNAL ROOF DRAIN DETAIL AT CONG. DECK
SCALE: 3/4"=1'-0"



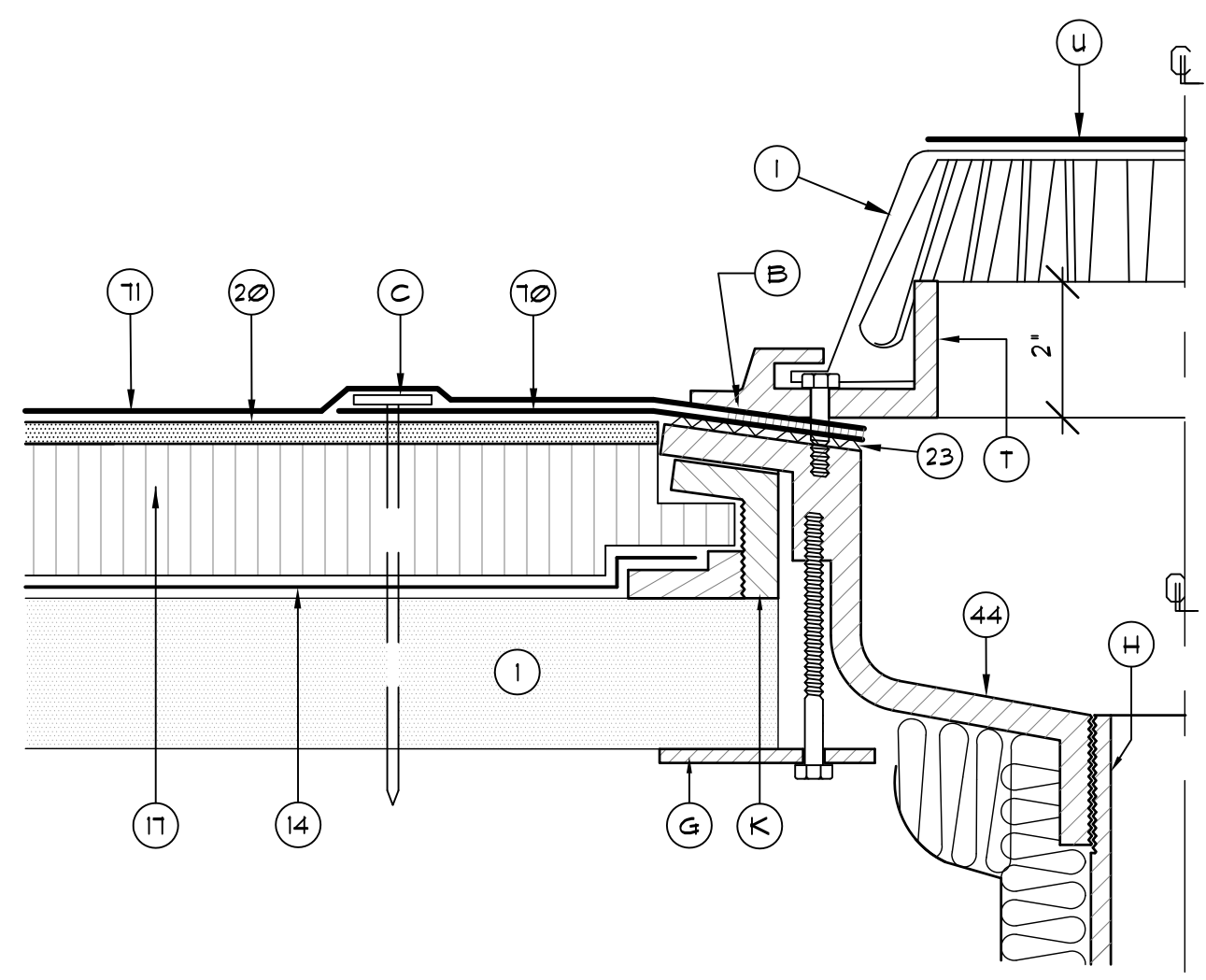
7.14 TYP. OVERFLOW ROOF DRAIN DETAIL AT CONG. DECK
SCALE: 3/4"=1'-0"



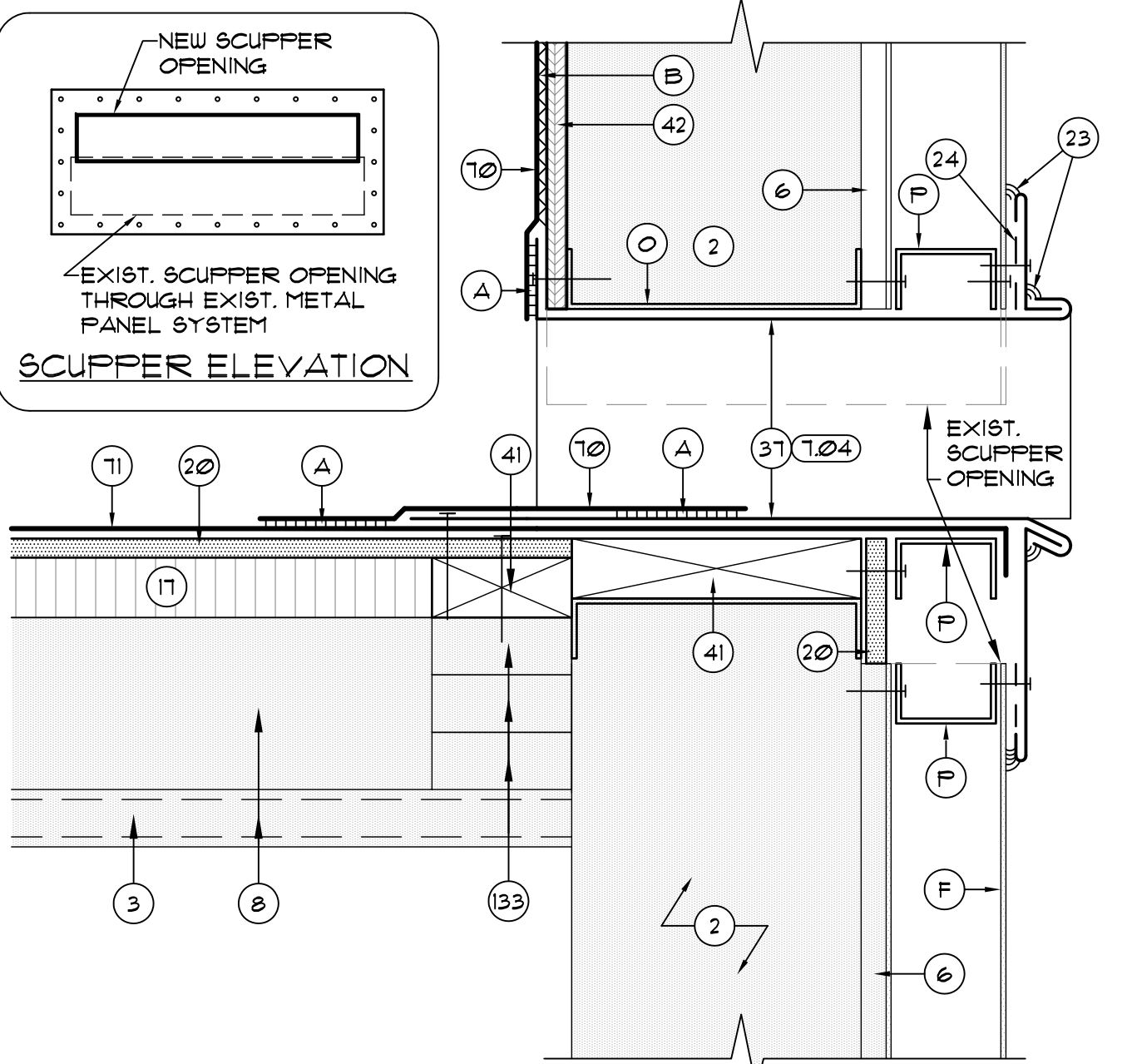
7.15 TYP. INTERNAL ROOF DRAIN DETAIL W/ NEW INSUL.
SCALE: 3/4"=1'-0"



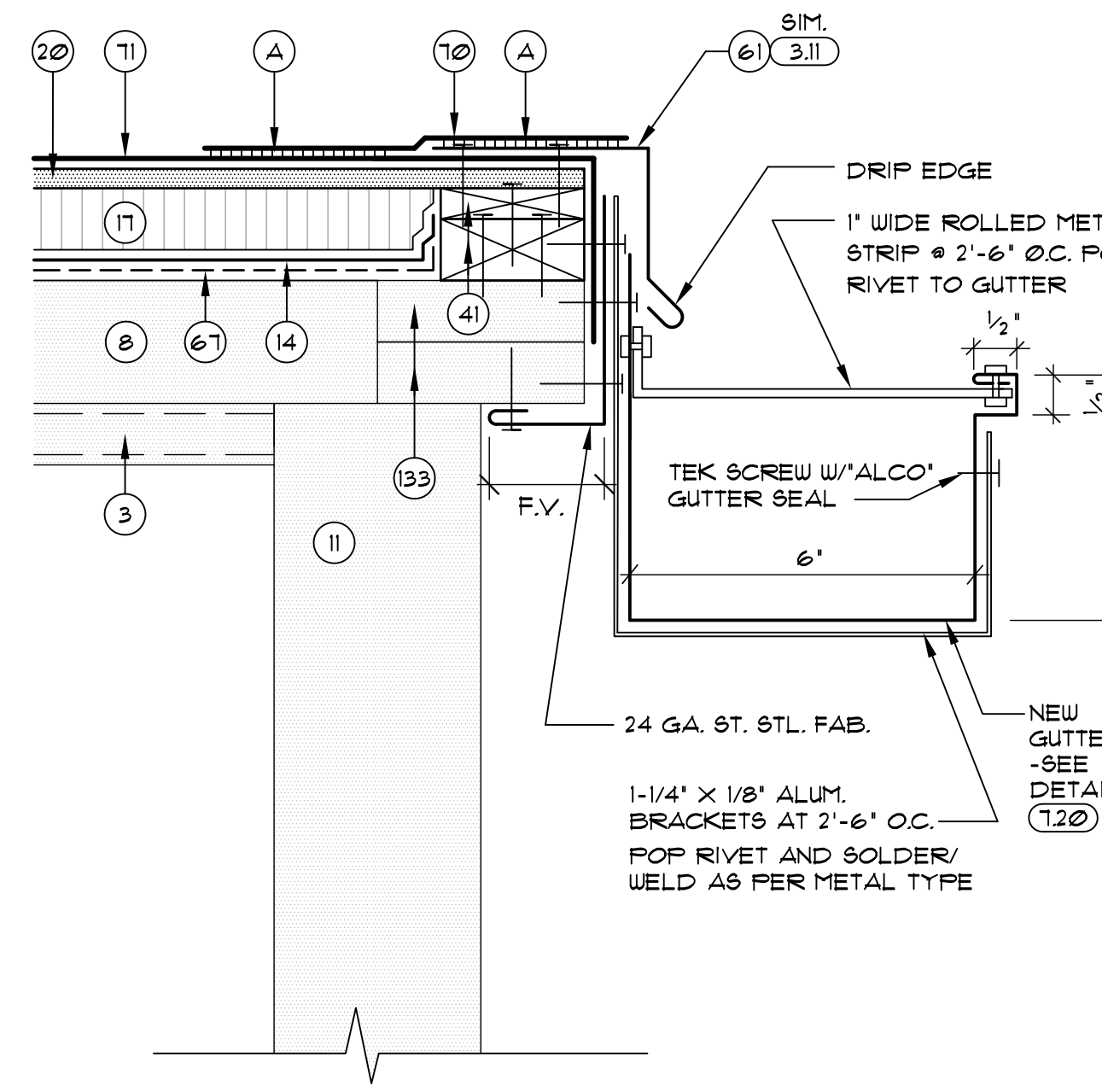
7.16 TYP. OVERFLOW ROOF DRAIN DETAIL W/ NEW INSUL.
SCALE: 3/4"=1'-0"



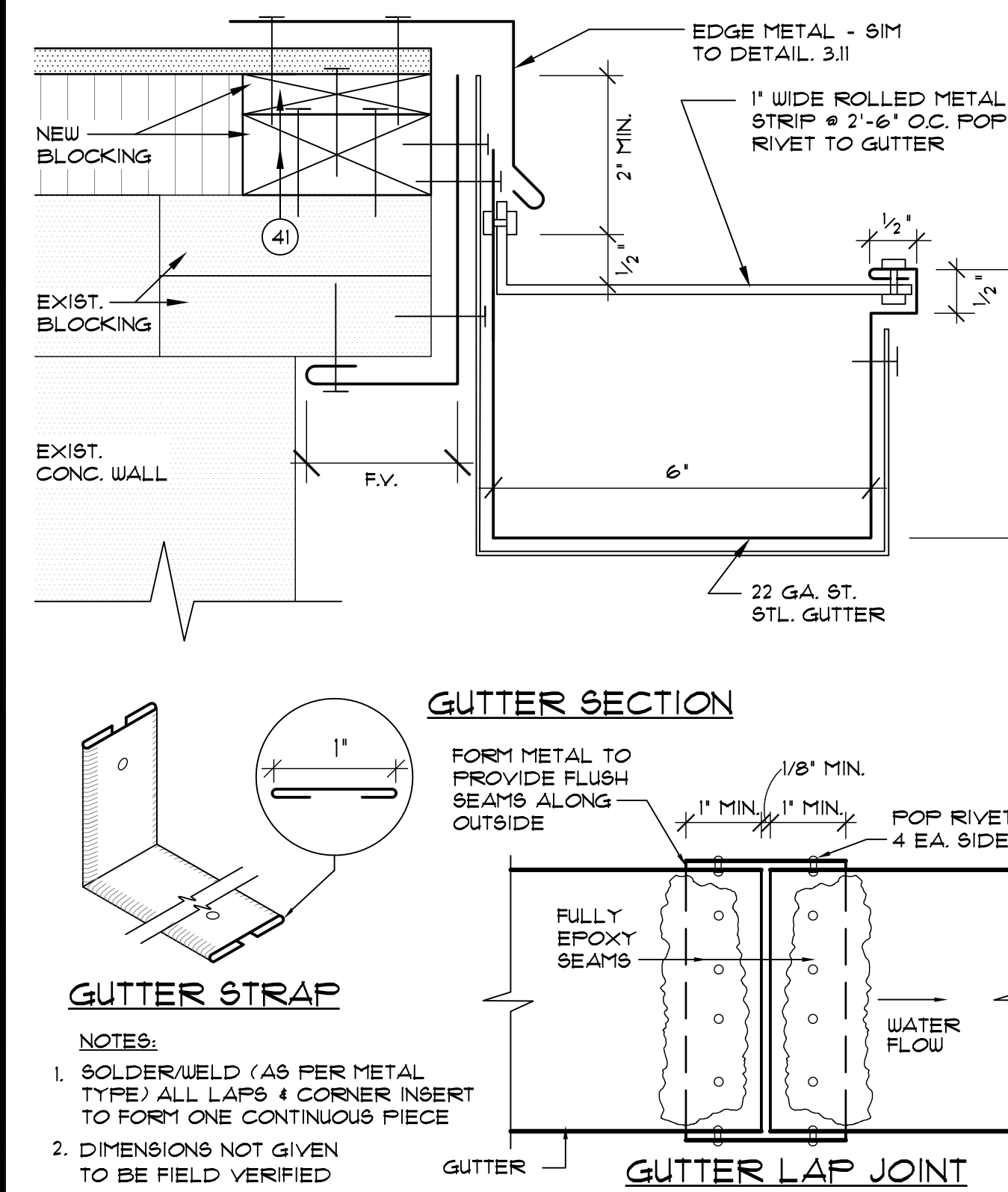
7.17 TYP. OVERFLOW ROOF DRAIN DETAIL
SCALE: 3/4"=1'-0"



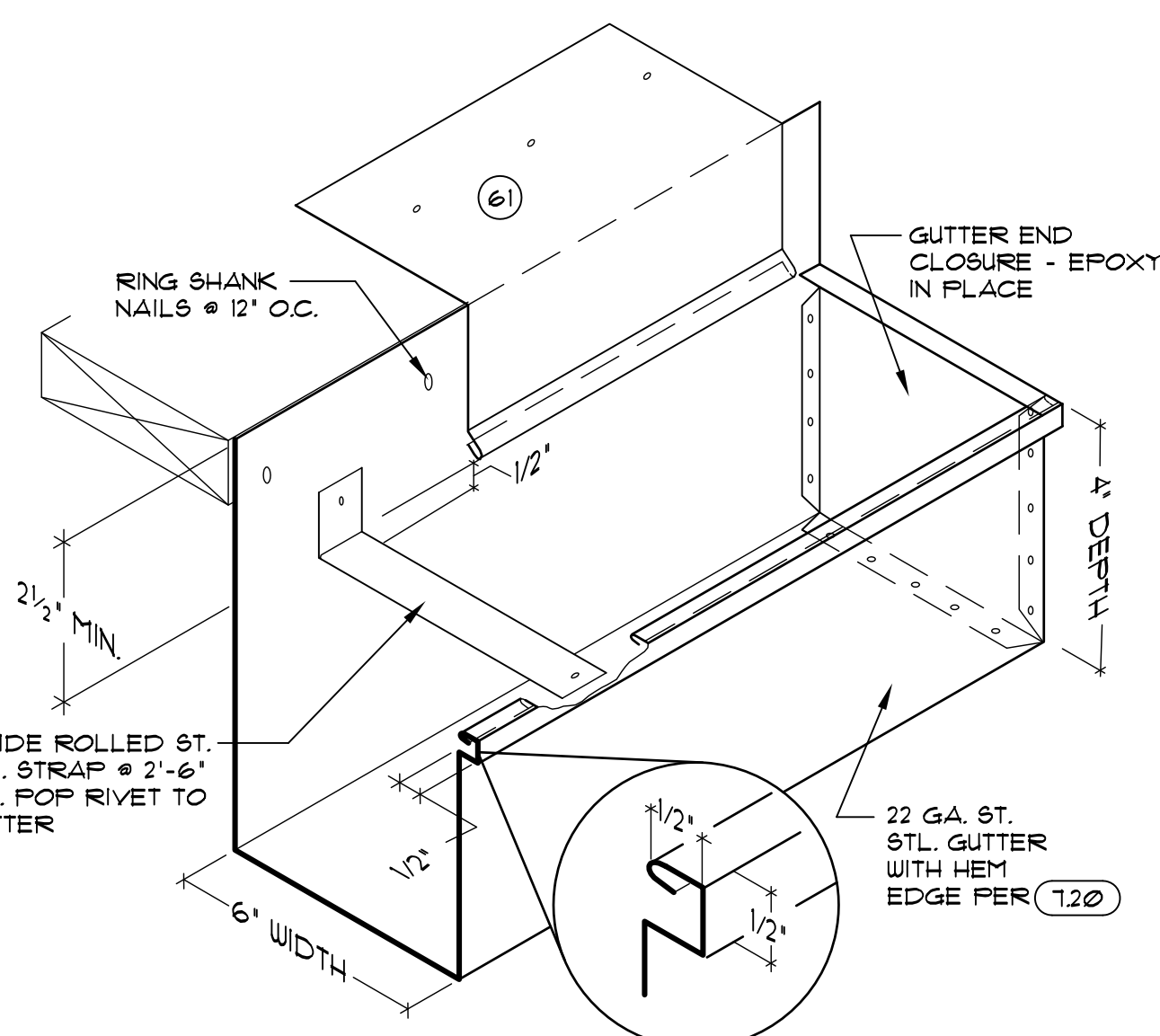
7.18 TYP. OVERFLOW SCUPPER AT LW/C
SCALE: 3/4"=1'-0"



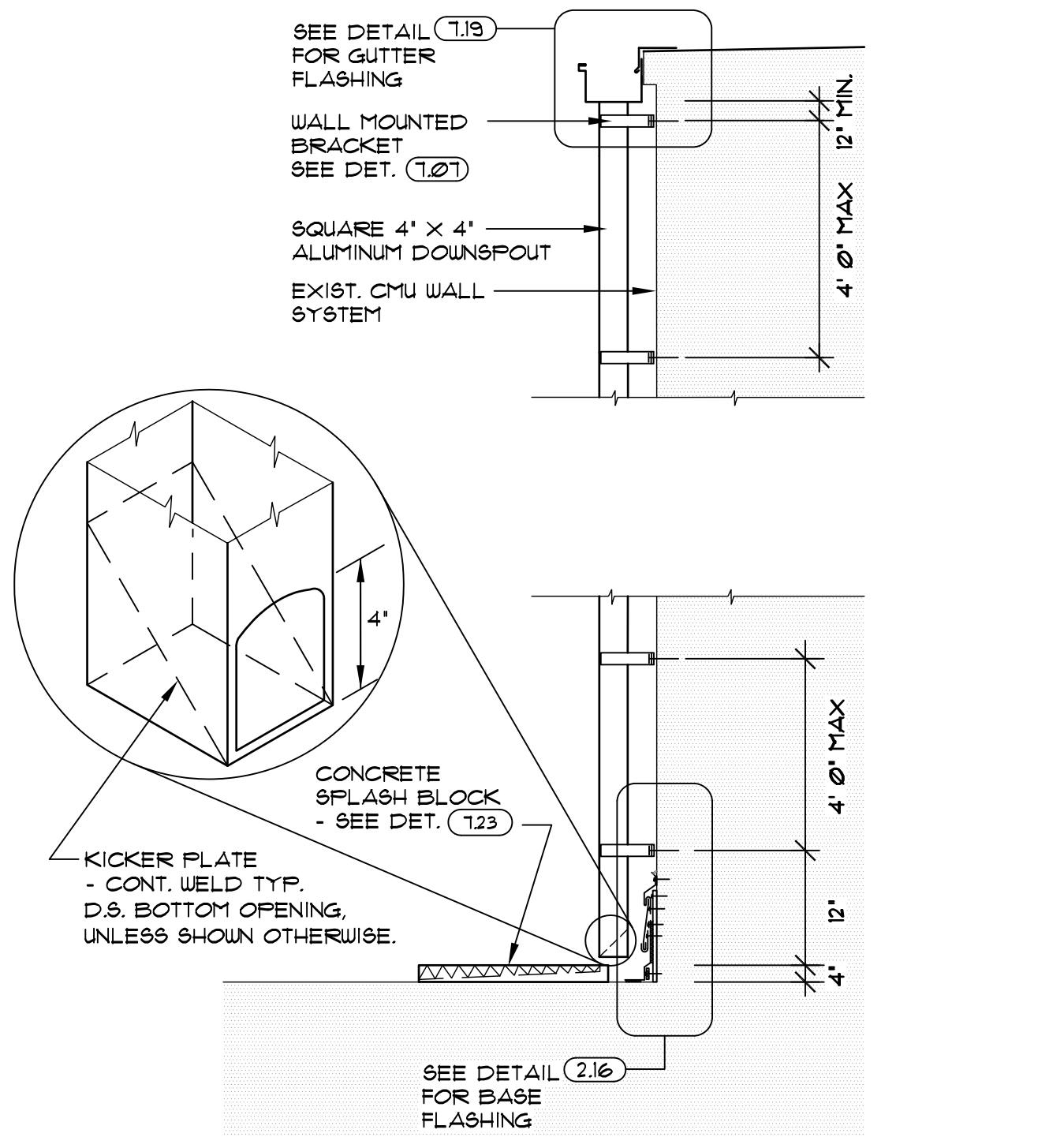
7.19 NEW GUTTER FLASHING DETAIL
SCALE: 3/4"=1'-0"



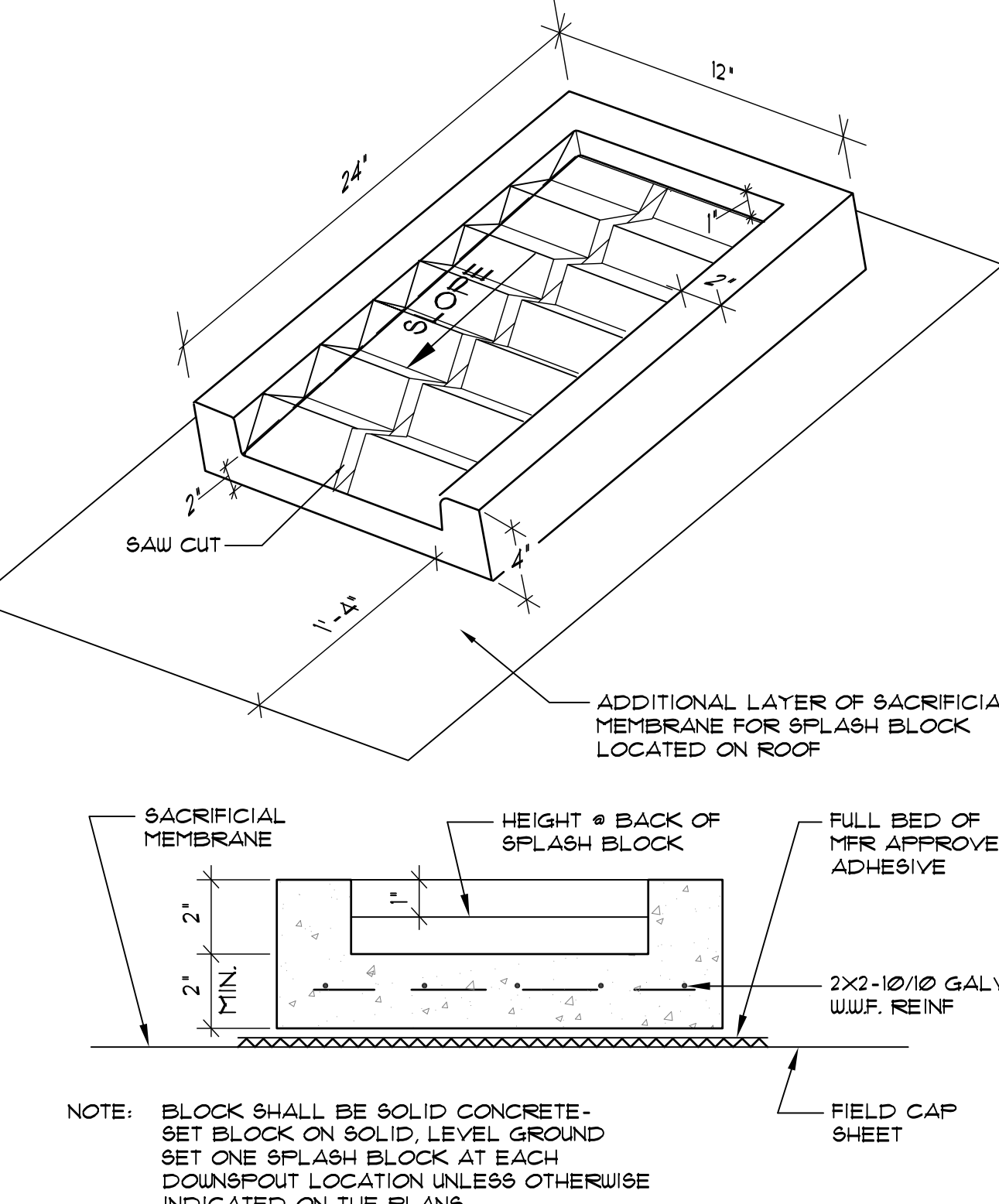
7.20 NEW GUTTER FABRICATION DETAIL
SCALE: 3/4"=1'-0"



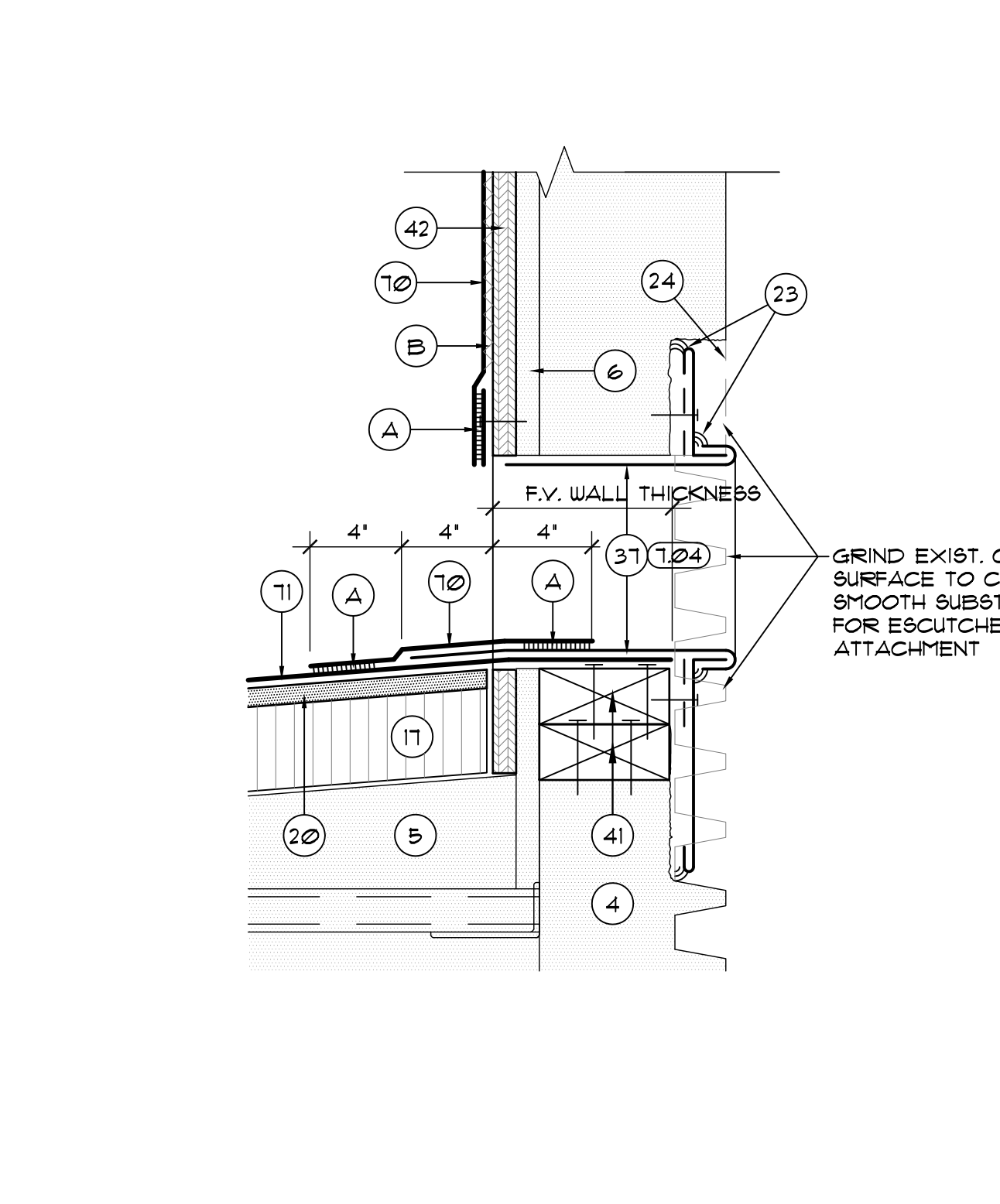
7.21 NEW GUTTER END CLOSURE DETAIL
SCALE: 3/4"=1'-0"



7.22 NEW DOWNSPOUT ATTACHMENT & DISCHARGE DETAIL
SCALE: 3/4"=1'-0"



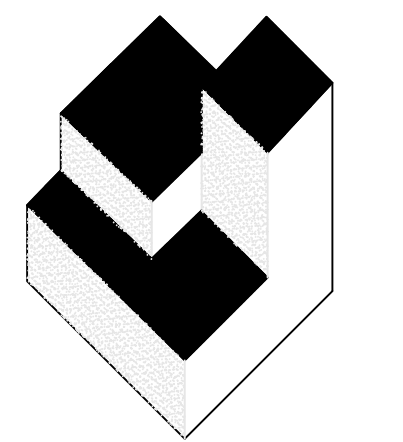
7.23 TYP. SPLASH BLOCK DETAIL
SCALE: 3/4"=1'-0"



7.24 TYP. OVERFLOW SCUPPER FLASHING DETAIL AT SECTOR 5
SCALE: 3/4"=1'-0"

DETAILS NOTES

1. EXISTING STRUCTURAL CONCRETE DECK
2. EXIST. METAL STUD WALL
3. EXISTING METAL DECK
4. EXISTING PRECAST CONC. PANEL PARAPET
5. EXIST. RIGID INSULATION TO REMAIN
6. EXIST. SHEATHING TO REMAIN
7. EXISTING PENETRATION - EXTEND AS REQ'D TO PROVIDE MIN HEIGHT INDICATED
8. LIGHTWEIGHT INSULATION CONCRETE DECK
9. EXISTING MECHANICAL EQUIPMENT
10. EXISTING CURB TO REMAIN
11. EXISTING CONCRETE/CMU BLOCK WALL
14. PRELIMINARY ROOF
16. BATT INSULATION
17. NON-TAPERED RIGID INSULATION
18. TAPERED RIGID INSULATION
20. 1/2" GYPSUM ROOF BOARD
21. SURFACE APPLIED TERMINATION BAR
22. TWO-PIECE SURFACE APPLIED COUNTERFLASHING - SEE REFERENCED DETAIL
23. SEALANT
24. FLASHING TAPE
32. CONTINUOUS CLEAT
35. SCUPPER & DOWNSPOUT CONNECTION - SEE REFERENCED DETAIL
36. NEW SCUPPER & CONDUCTOR HEAD W/ 2 BRACKETS - SEE REFERENCED DETAIL
37. NEW SCUPPER - SEE REFERENCED DETAIL
41. P.T. WOOD BLOCKING TO BE FASTENED AT 12" O.C. (MAX.) AND STAGGER - COUNTERSINK HEADS
42. 3/4" FLYWOOD - SCREW FASTEN @ 8" O.C. (MAX.) TOP & BOTTOM & STAGGER - COUNTERSINK HEADS
43. ROUND OFF THIS EDGE
44. NEW ROOF DRAIN - ADJUST ELEV. ABOVE DECK IN FIELD
45. EXISTING STRUCTURE
46. NEW OVERFLOW DRAIN
48. TAPERED RIGID INSULATION BOARD SUMP
59. 24 GA ST. STL. SKIRT METAL
60. PARAPET COPING CAP - SEE REFERENCED DETAIL
61. METAL EDGE DETAIL - SEE DETAIL
67. VENTED BASE SHEET
70. FLEXIBLE SHEET FLASHING
71. FLEXIBLE SHEET MEMBRANE
133. EXISTING WOOD BLOCKING TO REMAIN. REPLACE WHERE DAMAGED OR DETERIORATED
- A. HEAT WELD
- B. MFR APPROVED ADHESIVE
- C. FASTENER W/ STRESS PLATE
- D. MANUFACTURER'S APPROVED FLEECE REINFORCED LIQUID APPLIED FLASHING SYSTEM
- E. NEW ST. STL. FASTENER W/ NEOPRENE BACKED WASHER - BACK OUT EXIST. FASTENER AND REPLACE WITH ONE SIZE LARGER AT EXIST. LOCATIONS
- F. EXIST. METAL PANEL WALL SYS. TO REMAIN
- G. NEW UNDER DECK CLAMP
- H. DRAIN PIPE - INSTALL NEW AS REQ'D
- I. NEW STRAINER
- J. NEW CLAMPING RING
- K. NEW MFR'S STD. ADJUSTABLE HEIGHT COLLAR - ANCHOR TO DECK W/ 4-1/2" SCREWS
- L. INFILL AREA AS NEEDED W/ FOAM OR RIGID INSULATION
- M. PREFORMED STACK FLASHING
- N. STAINLESS STEEL DRAW BAND
- O. PROVIDE NEW 18 GA GALV. FRAMING AT PERIMETER OF SCUPPER FOR SUPPORT THROUGH WALL SYSTEM
- P. BRACE EXIST. METAL PANEL OPENING W/ NEW 18 GA GALV. FRAMING AT PERIMETER OF EXIST. SCUPPER OPENING
- Q. ST. STL. DRIVE PIN FASTENER W/ NEOPRENE BACKED METAL WASHER @ 8" O.C.
- R. EXISTING STUCCO
- S. ANCHOR STRAPS PER REFERENCED DETAIL
- T. NEW CLAMPING RING WITH RAISED HUB
- U. 24 GA ST. STL. DRAIN COVER - ATTACH TO TOP OF STRAINER
- V. INSTALL NEW 2"x6" METAL FRAME PARAPET WITH SPACING @ 16" O.C.
- W. EXPANSION JOINT FILLER - CLOSED CELL POLYETHYLENE TUBING.
- X. 3" WIDE 26 GA ST. STL. RETAINER CLEATS @ 18" O.C. - ANCHOR W/ 2 FASTENERS EACH - BEND UP IN FIELD TO SECURE SKIRT METAL



A/R/C Associates Incorporated

Architecture
Roof Consulting
Construction Technology
LIC. NBR AAC000932
601 North Fern Creek Avenue
Suite 100 Orlando, FL
32805-4899
Tel. (407) 896-7875
Fax. (407) 898-6043
Copyright © A/R/C ASSOCIATES, INC.

JAMES W. RIPLEY AR-0018788
JOSEPH J. WILLIAMS AR-007984

REVISIONS

| NO. | DATE | BY: |
|-----|------|-----|
| | | |



SGM ENGINEERING & MEP CONSULTING ENGINEERS
935 Lake Baldwin Lane
Orlando, FL 32814
Tel. 407-767-5188
Fax. 407-767-5772
www.sgmengineering.com
Copyright © 2014 SGM Engineering, Inc.



BASE Engineering & Construction
1714 EAST GORING STREET
ORLANDO, FLORIDA 32803
P. 407-377-7227

DESIGNATED REPAIRS AND REPLACEMENT OF:
OCCC WEST BLDG ROOF REPLACEMENT
ORANGE COUNTY CONVENTION CENTER
9800 INTERNATIONAL DRIVE, ORLANDO, FL 32819

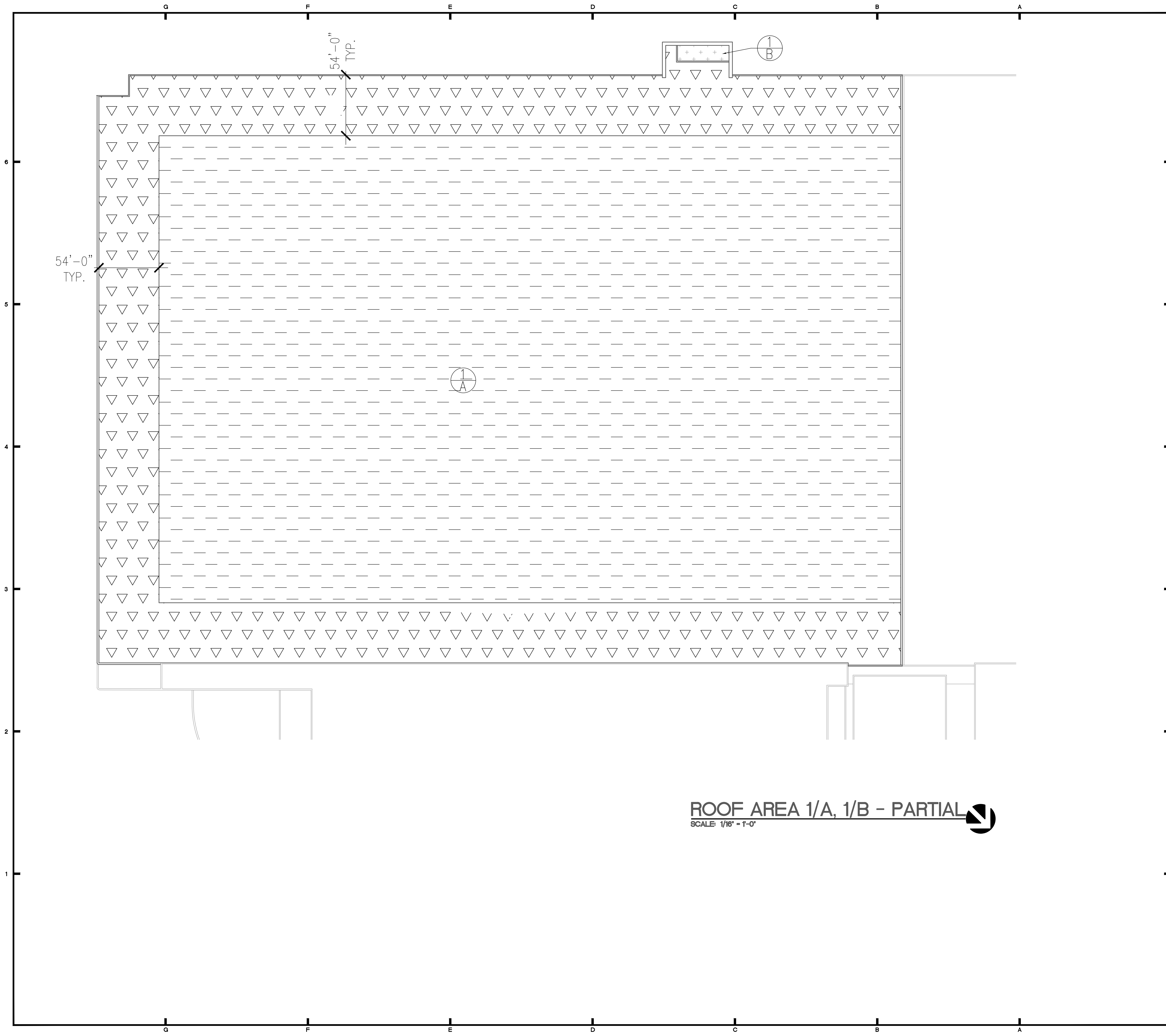
DESIGNATED REPAIRS AND REPLACEMENT OF:
OCCC WEST BLDG ROOF REPLACEMENT
ORANGE COUNTY CONVENTION CENTER
9800 INTERNATIONAL DRIVE, ORLANDO, FL 32819

JOB NO.: 1603200
DRAWN BY: TAH
CHECKED BY: JJW
DATE: 05-08-2017
SCALE: NTS
PLOT SCALE:

R702

SHEET NO.: 50 OF 105 SHEET(S)

DETAILS 7.13 THRU 7.24



ROOF AREA 1/A, 1/B - PARTIAL
SCALE: 1/16" = 1'-0"

WIND PRESSURE MAP NOTES:

THE WIND PRESSURE MAPS ARE BASED ON THE REQUIREMENTS OF THE FLORIDA BUILDING CODE, 2014 WHICH REFERENCE THE AMERICAN SOCIETY OF CIVIL ENGINEERS, "MINIMUM DESIGN LOADS FOR BUILDINGS AND OTHER STRUCTURES" (ASCE 7-10) AND THE FOLLOWING CRITERIA:

ULTIMATE WIND SPEED 149 MPH
RISK CATEGORY II
EXPOSURE B
INT. PRESSURE COEFF, GCPI ± 0.18

THIS STRUCTURE IS NOT LOCATED IN A WIND-BORNE DEBRIS REGION.

COMPONENTS AND CLADDING ULTIMATE WIND PRESSURES

ELEVATION ≤ 30'-0"

| | | | |
|-----------------------|--------|--------|---------|
| TRIBUTARY AREA (S.F.) | 1 | 2 | 3 |
| ≤10 | 16.25 | 16.25 | 16.25 |
| | -39.94 | -67.01 | -100.86 |

ELEVATION 31'-0" TO 60'-0"

| | | | |
|-----------------------|--------|--------|---------|
| TRIBUTARY AREA (S.F.) | 4 | 5 | 6 |
| ≤10 | 19.80 | 19.80 | 19.80 |
| | -48.68 | -81.69 | -122.95 |

ELEVATION 61'-0" TO 80'-0"

| | | | |
|-----------------------|--------|---------|---------|
| TRIBUTARY AREA (S.F.) | 7 | 8 | 9 |
| ≤10 | 16.00 | 16.00 | 16.00 |
| | -70.77 | -111.08 | -151.40 |

ELEVATION 81'-0" TO 100'-0"

| | | | |
|-----------------------|--------|---------|---------|
| TRIBUTARY AREA (S.F.) | 10 | 11 | 12 |
| ≤10 | 16.00 | 16.00 | 16.00 |
| | -75.43 | -118.40 | -161.36 |

ELEVATION 101'-0" TO 120'-0"

| | | | |
|-----------------------|--------|---------|---------|
| TRIBUTARY AREA (S.F.) | 13 | 14 | 15 |
| ≤10 | 16.00 | 16.00 | 16.00 |
| | -79.46 | -124.73 | -169.99 |

COMPONENTS AND CLADDING NOMINAL WIND PRESSURES

ELEVATION ≤ 30'-0"

| | | | |
|-----------------------|--------|--------|--------|
| TRIBUTARY AREA (S.F.) | 1 | 2 | 3 |
| ≤10 | 10.00 | 10.00 | 10.00 |
| | -23.96 | -40.21 | -60.52 |

ELEVATION 31'-0" TO 60'-0"

| | | | |
|-----------------------|--------|--------|--------|
| TRIBUTARY AREA (S.F.) | 4 | 5 | 6 |
| ≤10 | 11.88 | 11.88 | 11.88 |
| | -29.21 | -49.01 | -73.77 |

ELEVATION 61'-0" TO 80'-0"

| | | | |
|-----------------------|--------|--------|--------|
| TRIBUTARY AREA (S.F.) | 7 | 8 | 9 |
| ≤10 | 10.00 | 10.00 | 10.00 |
| | -42.46 | -66.65 | -90.84 |

ELEVATION 81'-0" TO 100'-0"

| | | | |
|-----------------------|--------|--------|--------|
| TRIBUTARY AREA (S.F.) | 10 | 11 | 12 |
| ≤10 | 10.00 | 10.00 | 10.00 |
| | -45.26 | -71.04 | -96.82 |

ELEVATION 101'-0" TO 120'-0"

| | | | |
|-----------------------|--------|--------|---------|
| TRIBUTARY AREA (S.F.) | 13 | 14 | 15 |
| ≤10 | 10.00 | 10.00 | 10.00 |
| | -47.68 | -74.84 | -102.00 |

REVISIONS

| NO. | DATE | BY: |
|-----|------|-----|
| | | |

SGM ENGINEERING
MEP CONSULTING ENGINEERS
935 Lake Nona Blvd., Suite 100
Orlando, FL 32814
Tel: 407-787-5188
Fax: 407-787-5772
www.sgmengineering.com
Copyright © 2014 SGM Engineering, Inc.

BASE CONSULTANTS
Engineering & Construction
10001 International Drive, Suite 100
Orlando, FL 32817
Tel: 407-277-7227

KEY PLAN
SCALE: NTS

SECTOR 1 WIND PRESSURE MAP

DESIGNATED REPAIRS AND REPLACEMENT OF:
OCCC WEST BLDG ROOF REPLACEMENT
ORANGE COUNTY CONVENTION CENTER
9800 INTERNATIONAL DRIVE, ORLANDO, FL 32819

JOB NO.: 1603200
DRAWN BY: LBB
CHECKED BY SA
DATE: 05-08-2017
SCALE: NTS
PLOT SCALE:

S101
SHEET NO.:
82 OF 105 SHEET(S)

A/R/C Associates Incorporated
Architecture
Roof Consulting
Construction Technology
LIC. NBR AAC000932
601 North Fern Creek Avenue
Suite 100 Orlando, FL 32815-4899
Tel. (407) 896-7875
Fax. (407) 898-6043
COPYRIGHT © A/R/C ASSOCIATES, INC.

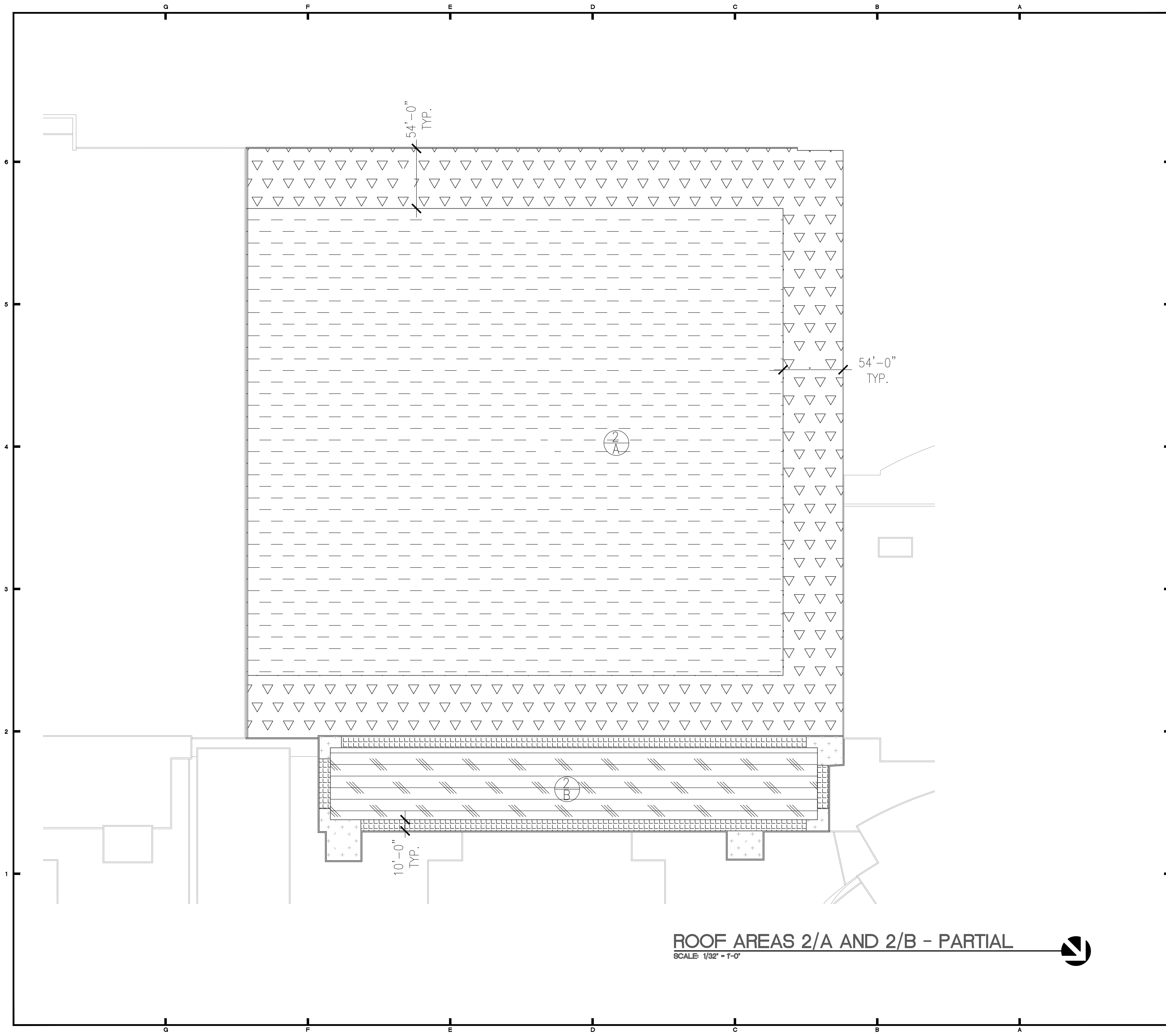
SGM ENGINEERING
MEP CONSULTING ENGINEERS
935 Lake Nona Blvd., Suite 100
Orlando, FL 32814
Tel: 407-787-5188
Fax: 407-787-5772
www.sgmengineering.com
Copyright © 2014 SGM Engineering, Inc.

BASE CONSULTANTS
Engineering & Construction
10001 International Drive, Suite 100
Orlando, FL 32817
Tel: 407-277-7227

DESIGNATED REPAIRS AND REPLACEMENT OF:
OCCC WEST BLDG ROOF REPLACEMENT
ORANGE COUNTY CONVENTION CENTER
9800 INTERNATIONAL DRIVE, ORLANDO, FL 32819

JOB NO.: 1603200
DRAWN BY: LBB
CHECKED BY SA
DATE: 05-08-2017
SCALE: NTS
PLOT SCALE:

S101
SHEET NO.:
82 OF 105 SHEET(S)



ROOF AREAS 2/A AND 2/B - PARTIAL
SCALE: 1/32" = 1'-0"

WIND PRESSURE MAP NOTES:
THE WIND PRESSURE MAPS ARE BASED ON THE REQUIREMENTS OF THE FLORIDA BUILDING CODE, 2014 WHICH REFERENCE THE AMERICAN SOCIETY OF CIVIL ENGINEERS, "MINIMUM DESIGN LOADS FOR BUILDINGS AND OTHER STRUCTURES" (ASCE 7-10) AND THE FOLLOWING CRITERIA:
ULTIMATE WIND SPEED 149 MPH
RISK CATEGORY II
EXPOSURE B
INT. PRESSURE COEFF, GCPI ± 0.18

THIS STRUCTURE IS NOT LOCATED IN A WIND-BORNE DEBRIS REGION.

COMPONENTS AND CLADDING ULTIMATE WIND PRESSURES
ELEVATION ≤ 30'-0"

| TRIBUTARY AREA (S.F.) | 1 | 2 | 3 |
|-----------------------|--------|--------|---------|
| ≤10 | 16.25 | 16.25 | 16.25 |
| ≤10 | -39.94 | -67.01 | -100.86 |

ELEVATION 31'-0" TO 60'-0"

| TRIBUTARY AREA (S.F.) | 4 | 5 | 6 |
|-----------------------|--------|--------|---------|
| ≤10 | 19.80 | 19.80 | 19.80 |
| ≤10 | -48.68 | -81.69 | -122.95 |

ELEVATION 61'-0" TO 80'-0"

| TRIBUTARY AREA (S.F.) | 7 | 8 | 9 |
|-----------------------|--------|---------|---------|
| ≤10 | 16.00 | 16.00 | 16.00 |
| ≤10 | -70.77 | -111.08 | -151.40 |

ELEVATION 81'-0" TO 100'-0"

| TRIBUTARY AREA (S.F.) | 10 | 11 | 12 |
|-----------------------|--------|---------|---------|
| ≤10 | 16.00 | 16.00 | 16.00 |
| ≤10 | -75.43 | -118.40 | -161.36 |

ELEVATION 101'-0" TO 120'-0"

| TRIBUTARY AREA (S.F.) | 13 | 14 | 15 |
|-----------------------|--------|---------|---------|
| ≤10 | 16.00 | 16.00 | 16.00 |
| ≤10 | -79.46 | -124.73 | -169.99 |

COMPONENTS AND CLADDING NOMINAL WIND PRESSURES
ELEVATION ≤ 30'-0"

| TRIBUTARY AREA (S.F.) | 1 | 2 | 3 |
|-----------------------|--------|--------|--------|
| ≤10 | 10.00 | 10.00 | 10.00 |
| ≤10 | -23.96 | -40.21 | -60.52 |

ELEVATION 31'-0" TO 60'-0"

| TRIBUTARY AREA (S.F.) | 4 | 5 | 6 |
|-----------------------|--------|--------|--------|
| ≤10 | 11.88 | 11.88 | 11.88 |
| ≤10 | -29.21 | -49.01 | -73.77 |

ELEVATION 61'-0" TO 80'-0"

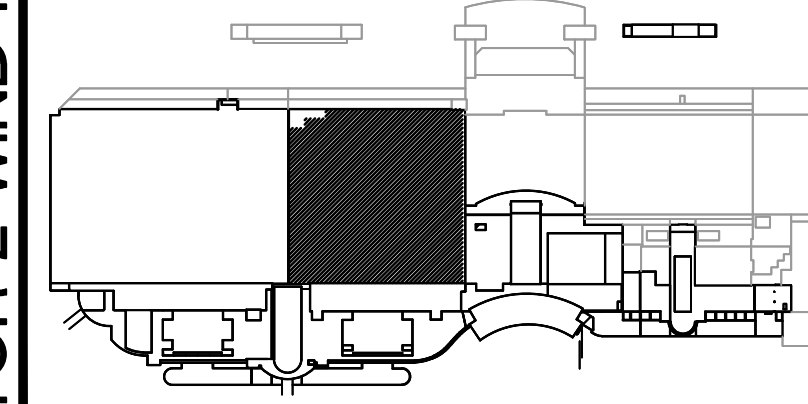
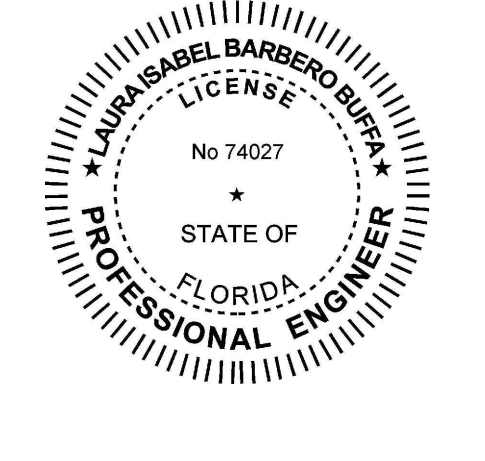
| TRIBUTARY AREA (S.F.) | 7 | 8 | 9 |
|-----------------------|--------|--------|--------|
| ≤10 | 10.00 | 10.00 | 10.00 |
| ≤10 | -42.46 | -66.65 | -90.84 |

ELEVATION 81'-0" TO 100'-0"

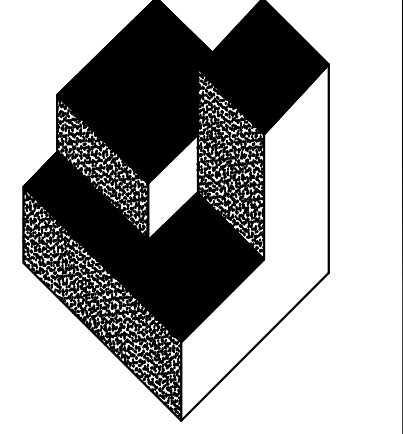
| TRIBUTARY AREA (S.F.) | 10 | 11 | 12 |
|-----------------------|--------|--------|--------|
| ≤10 | 10.00 | 10.00 | 10.00 |
| ≤10 | -45.26 | -71.04 | -96.82 |

ELEVATION 101'-0" TO 120'-0"

| TRIBUTARY AREA (S.F.) | 13 | 14 | 15 |
|-----------------------|--------|--------|---------|
| ≤10 | 10.00 | 10.00 | 10.00 |
| ≤10 | -47.68 | -74.84 | -102.00 |



KEY PLAN
SCALE: NTS



A/R/C Associates Incorporated

Architecture
Roof Consulting
Construction Technology
LIC. NBR AAC000932
601 North Fern Creek Avenue
Suite 100 Orlando, FL 32805-4899
Tel. (407) 898-7875
Fax. (407) 898-6043
COPYRIGHT © A/R/C ASSOCIATES, INC.

REVISIONS

| NO. | DATE | BY: |
|-----|------|-----|
| | | |



SGM ENGINEERING
MEP CONSULTING ENGINEERS
535 Lake Nona Lane
Orlando, FL 32816
Tel: 407-767-5988
Fax: 407-767-5772
www.sgmengineering.com
Copyright © 2014 SGM Engineering, Inc.

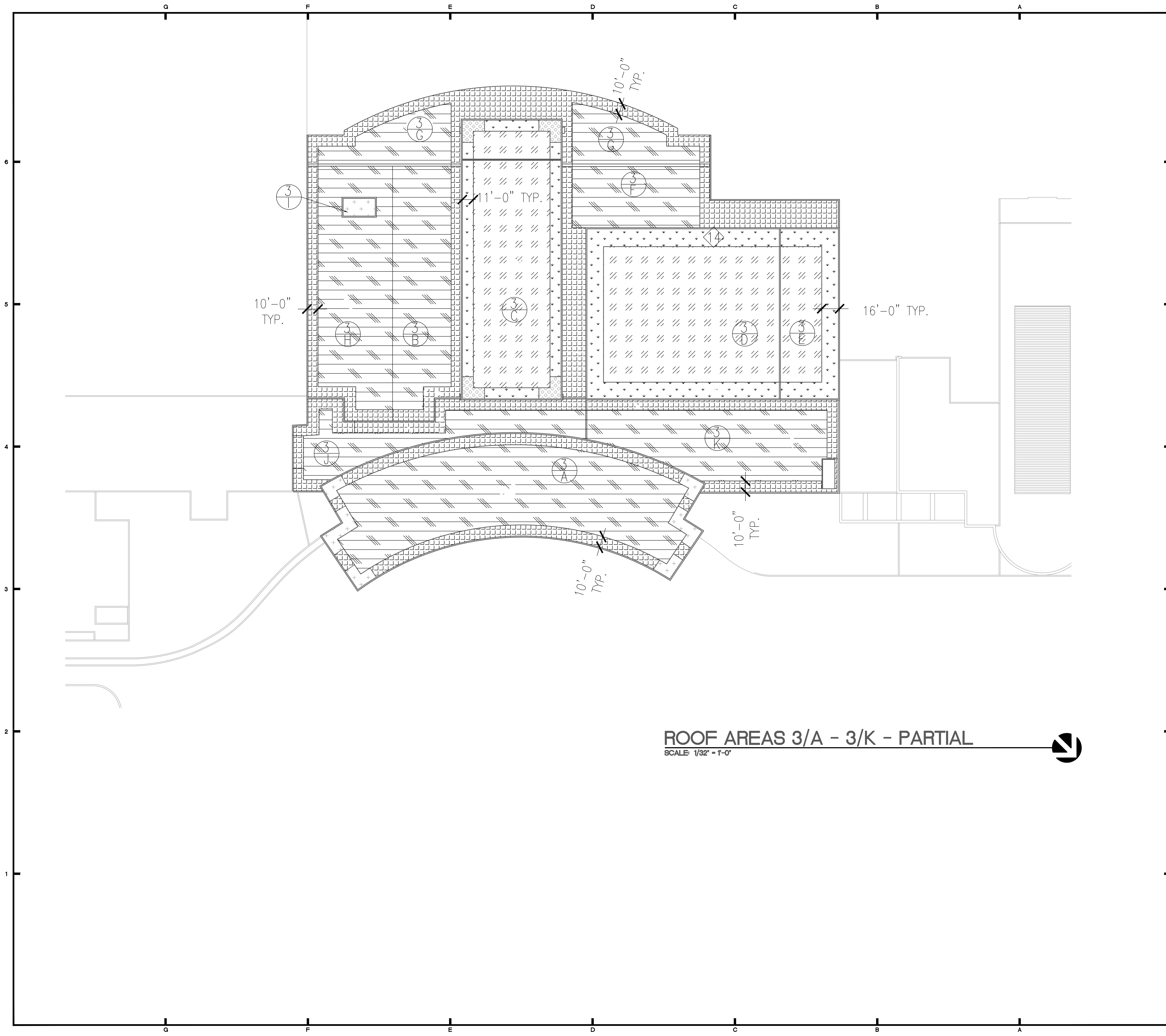


BASE CONSULTANTS
Engineering & Construction |
1000 South Orange Avenue, Suite 1000
Orlando, FL 32816
Tel: 407-767-5988
Fax: 407-767-5772
www.baseconsultants.com

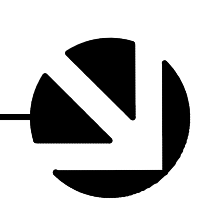
DESIGNATED REPAIRS AND REPLACEMENT OF:
OCCC WEST BLDG ROOF REPLACEMENT
ORANGE COUNTY CONVENTION CENTER
9800 INTERNATIONAL DRIVE, ORLANDO, FL 32819

JOB NO.: 1603200
DRAWN BY: LBB
CHECKED BY SA
DATE: 05-08-2017
SCALE: NTS
PLOT SCALE:

S102
SHEET NO.:
53 OF 105 SHEET(S)



ROOF AREAS 3/A - 3/K - PARTIAL
SCALE: 1/32" = 1'-0"



WIND PRESSURE MAP NOTES:
THE WIND PRESSURE MAPS ARE BASED ON THE REQUIREMENTS OF THE FLORIDA BUILDING CODE, 2014 WHICH REFERENCE THE AMERICAN SOCIETY OF CIVIL ENGINEERS, "MINIMUM DESIGN LOADS FOR BUILDINGS AND OTHER STRUCTURES" (ASCE 7-10) AND THE FOLLOWING CRITERIA:
ULTIMATE WIND SPEED 149 MPH
RISK CATEGORY II
EXPOSURE B
INT. PRESSURE COEFF, GCPI ± 0.18
THIS STRUCTURE IS NOT LOCATED IN A WIND-BORNE DEBRIS REGION.

COMPONENTS AND CLADDING ULTIMATE WIND PRESSURES
ELEVATION ≤ 30'-0"

| TRIBUTARY AREA (S.F.) | 1 | 2 | 3 |
|-----------------------|--------|--------|---------|
| ≤10 | 16.25 | 16.25 | 16.25 |
| | -39.94 | -67.01 | -100.86 |

ELEVATION 31'-0" TO 60'-0"

| TRIBUTARY AREA (S.F.) | 4 | 5 | 6 |
|-----------------------|--------|--------|---------|
| ≤10 | 19.80 | 19.80 | 19.80 |
| | -48.68 | -81.69 | -122.95 |

ELEVATION 61'-0" TO 80'-0"

| TRIBUTARY AREA (S.F.) | 7 | 8 | 9 |
|-----------------------|--------|---------|---------|
| ≤10 | 16.00 | 16.00 | 16.00 |
| | -70.77 | -111.00 | -151.40 |

ELEVATION 81'-0" TO 100'-0"

| TRIBUTARY AREA (S.F.) | 10 | 11 | 12 |
|-----------------------|--------|---------|---------|
| ≤10 | 16.00 | 16.00 | 16.00 |
| | -75.43 | -118.40 | -161.36 |

ELEVATION 101'-0" TO 120'-0"

| TRIBUTARY AREA (S.F.) | 13 | 14 | 15 |
|-----------------------|--------|---------|---------|
| ≤10 | 16.00 | 16.00 | 16.00 |
| | -79.46 | -124.73 | -169.99 |

COMPONENTS AND CLADDING NOMINAL WIND PRESSURES
ELEVATION ≤ 30'-0"

| TRIBUTARY AREA (S.F.) | 1 | 2 | 3 |
|-----------------------|--------|--------|--------|
| ≤10 | 10.00 | 10.00 | 10.00 |
| | -23.96 | -40.21 | -60.52 |

ELEVATION 31'-0" TO 60'-0"

| TRIBUTARY AREA (S.F.) | 4 | 5 | 6 |
|-----------------------|--------|--------|--------|
| ≤10 | 11.88 | 11.88 | 11.88 |
| | -29.21 | -49.01 | -73.77 |

ELEVATION 61'-0" TO 80'-0"

| TRIBUTARY AREA (S.F.) | 7 | 8 | 9 |
|-----------------------|--------|--------|--------|
| ≤10 | 10.00 | 10.00 | 10.00 |
| | -42.46 | -66.65 | -90.84 |

ELEVATION 81'-0" TO 100'-0"

| TRIBUTARY AREA (S.F.) | 10 | 11 | 12 |
|-----------------------|--------|--------|--------|
| ≤10 | 10.00 | 10.00 | 10.00 |
| | -45.26 | -71.04 | -96.82 |

ELEVATION 101'-0" TO 120'-0"

| TRIBUTARY AREA (S.F.) | 13 | 14 | 15 |
|-----------------------|--------|--------|---------|
| ≤10 | 10.00 | 10.00 | 10.00 |
| | -47.68 | -74.84 | -102.00 |

A/R/C Associates Incorporated
Architecture
Roof Consulting
Construction Technology
LIC. NBR AAC000932
601 North Fern Creek Avenue
Suite 100 Orlando, FL 32805-4699
Tel. (407) 896-7875
Fax. (407) 898-6043
COPYRIGHT © A/R/C ASSOCIATES, INC.

REVISIONS

| NO. | DATE | BY: |
|-----|------|-----|
| | | |

SGM ENGINEERING
MEP CONSULTING ENGINEERS
935 Lake Nona Blvd
Orlando, FL 32814
Tel: 407-787-5188
Fax: 407-787-5772
www.sgmengineering.com
Copyright © 2014 SGM Engineering, Inc.

BASE CONSULTANTS
Engineering & Construction
1700 Lake Nona Blvd, Suite 100
Orlando, Florida 32814
Tel: 407-777-7727

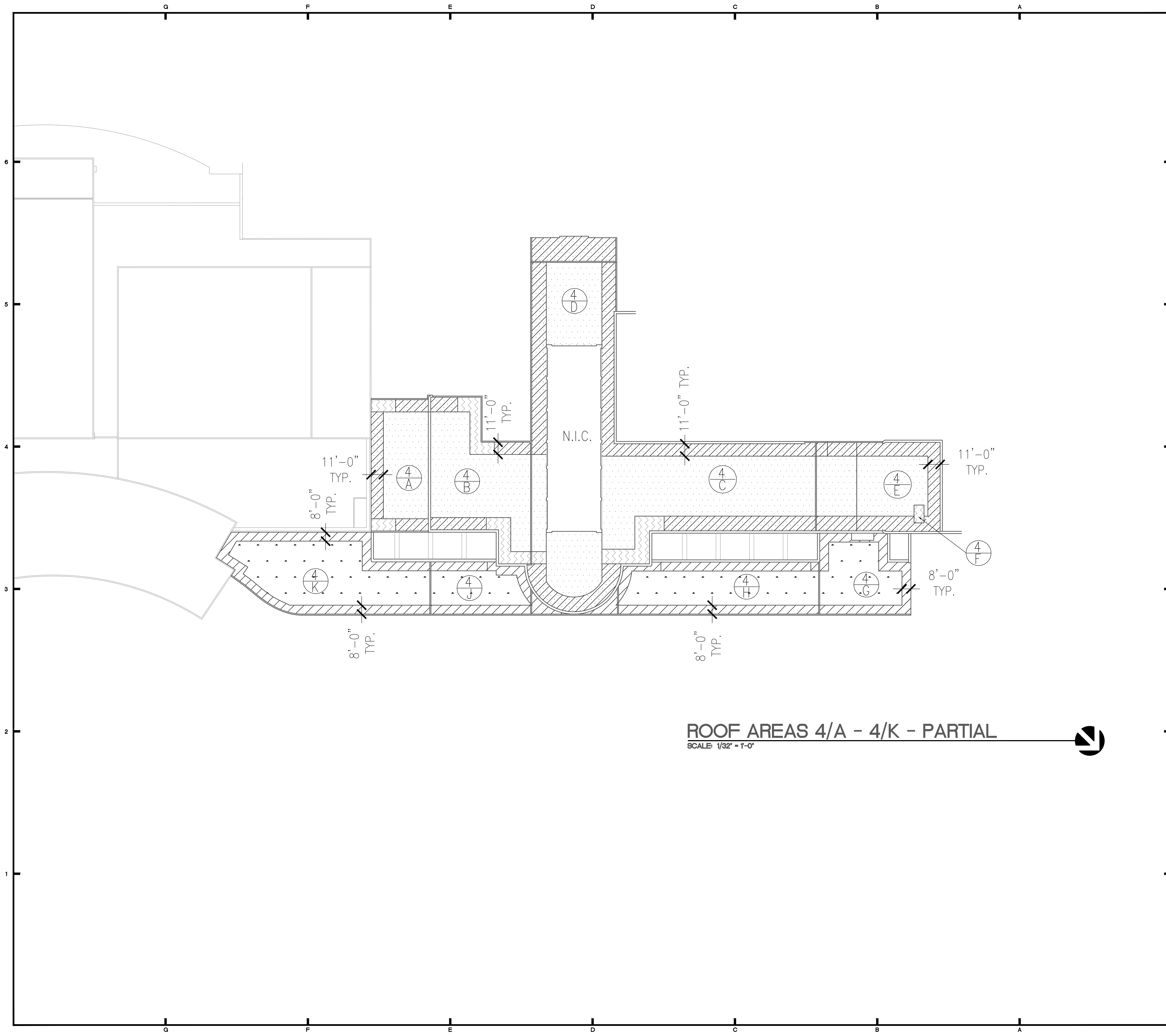
DESIGNATED REPAIRS AND REPLACEMENT OF:
OCCC WEST BLDG ROOF REPLACEMENT
ORANGE COUNTY CONVENTION CENTER
9800 INTERNATIONAL DRIVE, ORLANDO, FL 32819

JOB NO.: 1603200
DRAWN BY: LBB
CHECKED BY SA
DATE: 05-08-2017
SCALE: NTS
PLOT SCALE:

S103
SHEET NO.:
54 OF 105 SHEET(S)

KEY PLAN
SCALE: NTS

SECTOR 3 WIND PRESSURE MAP



ROOF AREAS 4/A - 4/K - PARTIAL
 SCALE: 1/32" = 1'-0"

WIND PRESSURE MAP NOTES:
 THE WIND PRESSURE MAPS ARE BASED ON THE REQUIREMENTS OF THE FLORIDA BUILDING CODE, 2014 WHICH REFERENCE THE AMERICAN SOCIETY OF CIVIL ENGINEERS, "MINIMUM DESIGN LOADS FOR BUILDINGS AND OTHER STRUCTURES" (ASCE 7-10) AND THE FOLLOWING CRITERIA:

ULTIMATE WIND SPEED 149 MPH
 RISK CATEGORY II
 EXPOSURE B
 INT. PRESSURE COEFF, GCPI ± 0.18

THIS STRUCTURE IS NOT LOCATED IN A WIND-BORNE DEBRIS REGION.

COMPONENTS AND CLADDING ULTIMATE WIND PRESSURES
 ELEVATION ≤ 30'-0"

| TRIBUTARY AREA (S.F.) | 1 | 2 | 3 |
|-----------------------|--------|--------|---------|
| ≤10 | 16.25 | 16.25 | 16.25 |
| | -39.94 | -67.01 | -100.86 |

ELEVATION 31'-0" TO 60'-0"

| TRIBUTARY AREA (S.F.) | 4 | 5 | 6 |
|-----------------------|--------|--------|---------|
| ≤10 | 19.80 | 19.80 | 19.80 |
| | -48.68 | -81.69 | -122.95 |

ELEVATION 61'-0" TO 80'-0"

| TRIBUTARY AREA (S.F.) | 7 | 8 | 9 |
|-----------------------|--------|---------|---------|
| ≤10 | 16.00 | 16.00 | 16.00 |
| | -70.77 | -111.08 | -151.40 |

ELEVATION 81'-0" TO 100'-0"

| TRIBUTARY AREA (S.F.) | 10 | 11 | 12 |
|-----------------------|--------|---------|---------|
| ≤10 | 16.00 | 16.00 | 16.00 |
| | -75.43 | -118.40 | -161.36 |

ELEVATION 101'-0" TO 120'-0"

| TRIBUTARY AREA (S.F.) | 13 | 14 | 15 |
|-----------------------|--------|---------|---------|
| ≤10 | 16.00 | 16.00 | 16.00 |
| | -79.46 | -124.73 | -169.99 |

COMPONENTS AND CLADDING NOMINAL WIND PRESSURES
 ELEVATION ≤ 30'-0"

| TRIBUTARY AREA (S.F.) | 1 | 2 | 3 |
|-----------------------|--------|--------|--------|
| ≤10 | 10.00 | 10.00 | 10.00 |
| | -23.96 | -40.21 | -60.52 |

ELEVATION 31'-0" TO 60'-0"

| TRIBUTARY AREA (S.F.) | 4 | 5 | 6 |
|-----------------------|--------|--------|--------|
| ≤10 | 11.88 | 11.88 | 11.88 |
| | -29.21 | -49.01 | -73.77 |

ELEVATION 61'-0" TO 80'-0"

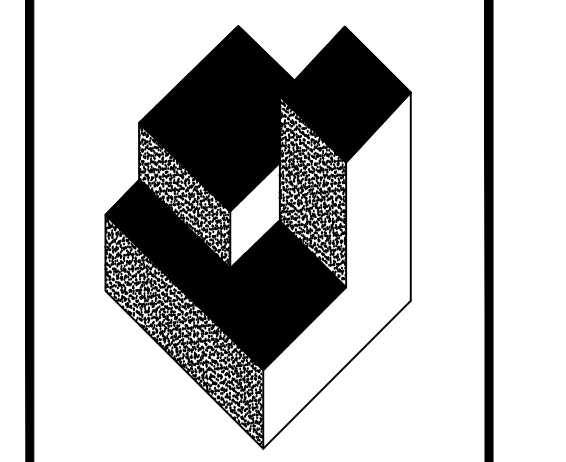
| TRIBUTARY AREA (S.F.) | 7 | 8 | 9 |
|-----------------------|--------|--------|--------|
| ≤10 | 10.00 | 10.00 | 10.00 |
| | -42.46 | -66.65 | -90.84 |

ELEVATION 81'-0" TO 100'-0"

| TRIBUTARY AREA (S.F.) | 10 | 11 | 12 |
|-----------------------|--------|--------|--------|
| ≤10 | 10.00 | 10.00 | 10.00 |
| | -45.26 | -71.04 | -96.82 |

ELEVATION 101'-0" TO 120'-0"

| TRIBUTARY AREA (S.F.) | 13 | 14 | 15 |
|-----------------------|--------|--------|---------|
| ≤10 | 10.00 | 10.00 | 10.00 |
| | -47.68 | -74.84 | -102.00 |



A/R/C Associates Incorporated

Architecture
 Roof Consulting
 Construction Technology
 LIC. NBR AAC000932
 601 North Fern Creek Avenue
 Suite 100 Orlando, FL
 32803-4899
 Tel. (407) 896-7875
 Fax. (407) 898-6043
 Copyright © A/R/C ASSOCIATES, INC.

| REVISIONS | | |
|-----------|------|-----|
| NO. | DATE | BY: |
| | | |



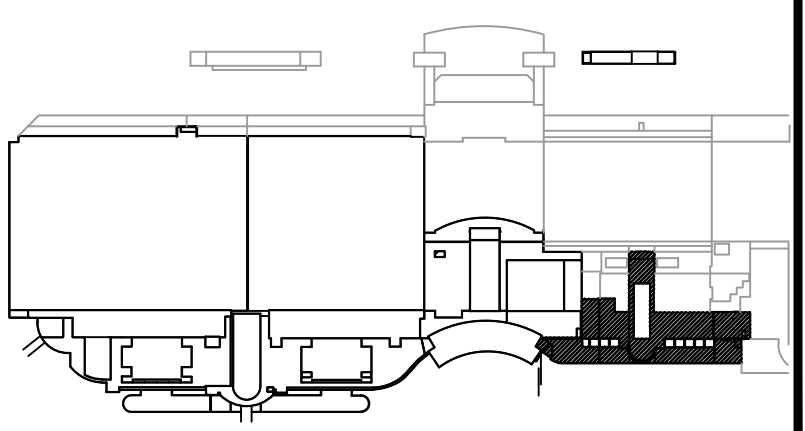
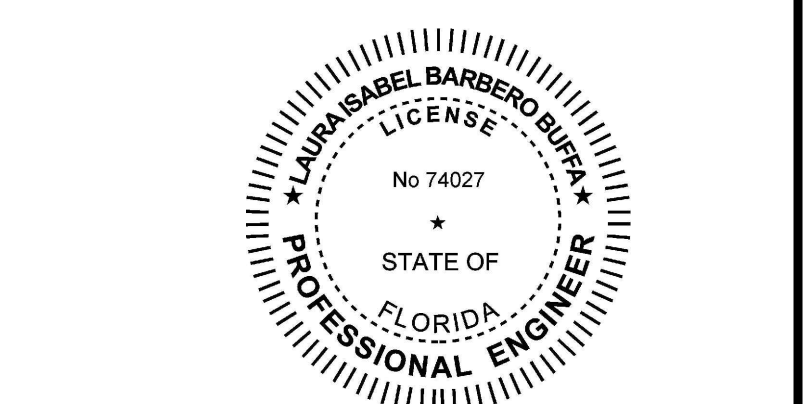
SGM ENGINEERING & CONSULTANTS
 MEP CONSULTING ENGINEERS
 935 Lake Nona
 Orlando, FL 32814
 Tel: 407-787-5188
 Fax: 407-787-5772
 www.sgmengineering.com
 Copyright © 2014 SGM Engineering, Inc.



BASE CONSULTANTS
 Engineering & Construction
 1700 West Orange Avenue
 Suite 1000, Orlando, FL 32807
 Tel: 407-777-7727

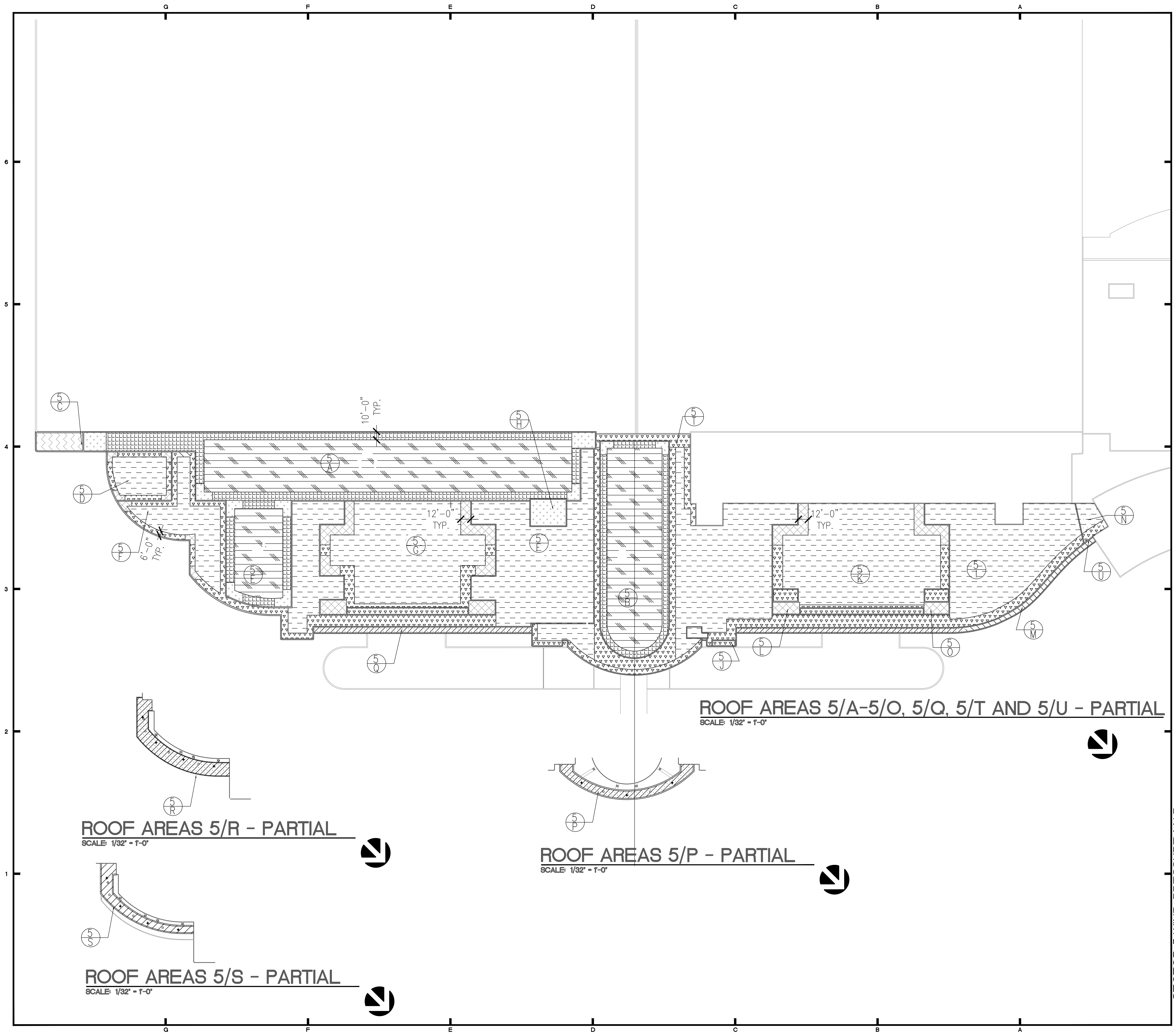
DESIGNATED REPAIRS AND REPLACEMENT OF:
OCCC WEST BLDG ROOF REPLACEMENT
ORANGE COUNTY CONVENTION CENTER
9800 INTERNATIONAL DRIVE, ORLANDO, FL 32819

JOB NO.: 1603200
 DRAWN BY: LBB
 CHECKED BY SA
 DATE: 05-08-2017
 SCALE: NTS
 PLOT SCALE:



KEY PLAN
 SCALE: NTS

S104
 SHEET NO.:
 55 OF 105 SHEET(S)



ROOF AREAS 5/A-5/O, 5/Q, 5/T AND 5/U - PARTIAL
SCALE: 1/32" = 1'-0"

ROOF AREAS 5/R - PARTIAL
SCALE: 1/32" = 1'-0"

ROOF AREAS 5/P - PARTIAL
SCALE: 1/32" = 1'-0"

ROOF AREAS 5/S - PARTIAL
SCALE: 1/32" = 1'-0"

WIND PRESSURE MAP NOTES:
THE WIND PRESSURE MAPS ARE BASED ON THE REQUIREMENTS OF THE FLORIDA BUILDING CODE, 2014 WHICH REFERENCE THE AMERICAN SOCIETY OF CIVIL ENGINEERS, "MINIMUM DESIGN LOADS FOR BUILDINGS AND OTHER STRUCTURES" (ASCE 7-10) AND THE FOLLOWING CRITERIA:
ULTIMATE WIND SPEED 149 MPH
RISK CATEGORY II
EXPOSURE B
INT. PRESSURE COEFF, GCPI ± 0.18

THIS STRUCTURE IS NOT LOCATED IN A WIND-BORNE DEBRIS REGION.

COMPONENTS AND CLADDING ULTIMATE WIND PRESSURES
ELEVATION ≤ 30'-0"

| TRIBUTARY AREA (S.F.) | 1 | 2 | 3 |
|-----------------------|--------|--------|---------|
| ≤10 | 16.25 | 16.25 | 16.25 |
| ≤10 | -39.94 | -67.01 | -100.86 |

ELEVATION 31'-0" TO 60'-0"

| TRIBUTARY AREA (S.F.) | 4 | 5 | 6 |
|-----------------------|--------|--------|---------|
| ≤10 | 19.80 | 19.80 | 19.80 |
| ≤10 | -48.68 | -81.69 | -122.95 |

ELEVATION 61'-0" TO 80'-0"

| TRIBUTARY AREA (S.F.) | 7 | 8 | 9 |
|-----------------------|--------|---------|---------|
| ≤10 | 16.00 | 16.00 | 16.00 |
| ≤10 | -70.77 | -111.08 | -151.40 |

ELEVATION 81'-0" TO 100'-0"

| TRIBUTARY AREA (S.F.) | 10 | 11 | 12 |
|-----------------------|--------|---------|---------|
| ≤10 | 16.00 | 16.00 | 16.00 |
| ≤10 | -75.43 | -118.40 | -161.36 |

ELEVATION 101'-0" TO 120'-0"

| TRIBUTARY AREA (S.F.) | 13 | 14 | 15 |
|-----------------------|--------|---------|---------|
| ≤10 | 16.00 | 16.00 | 16.00 |
| ≤10 | -79.46 | -124.73 | -169.99 |

COMPONENTS AND CLADDING NOMINAL WIND PRESSURES
ELEVATION ≤ 30'-0"

| TRIBUTARY AREA (S.F.) | 1 | 2 | 3 |
|-----------------------|--------|--------|--------|
| ≤10 | 10.00 | 10.00 | 10.00 |
| ≤10 | -23.96 | -40.21 | -60.52 |

ELEVATION 31'-0" TO 60'-0"

| TRIBUTARY AREA (S.F.) | 4 | 5 | 6 |
|-----------------------|--------|--------|--------|
| ≤10 | 11.88 | 11.88 | 11.88 |
| ≤10 | -29.21 | -49.01 | -73.77 |

ELEVATION 61'-0" TO 80'-0"

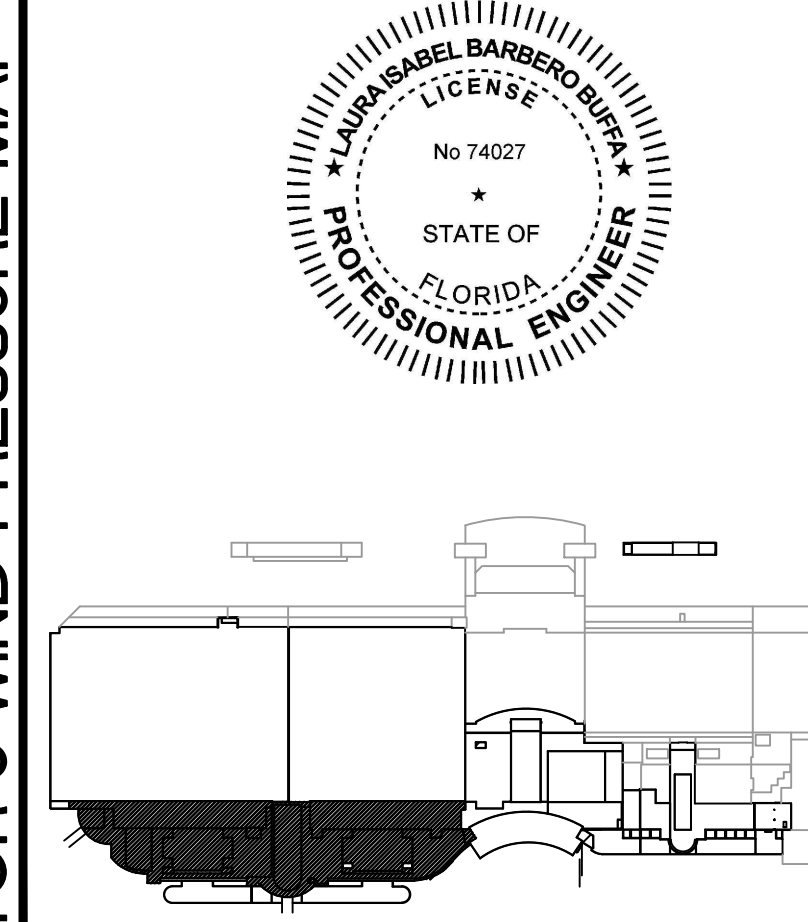
| TRIBUTARY AREA (S.F.) | 7 | 8 | 9 |
|-----------------------|--------|--------|--------|
| ≤10 | 10.00 | 10.00 | 10.00 |
| ≤10 | -42.46 | -66.65 | -90.84 |

ELEVATION 81'-0" TO 100'-0"

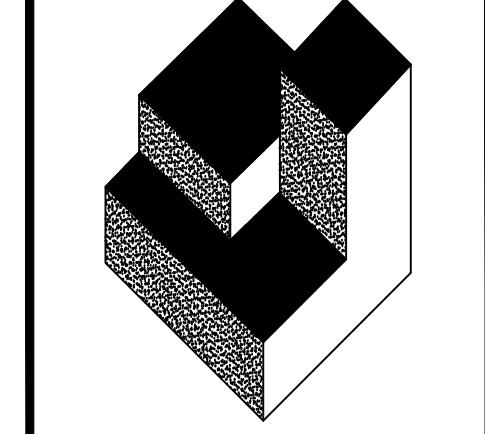
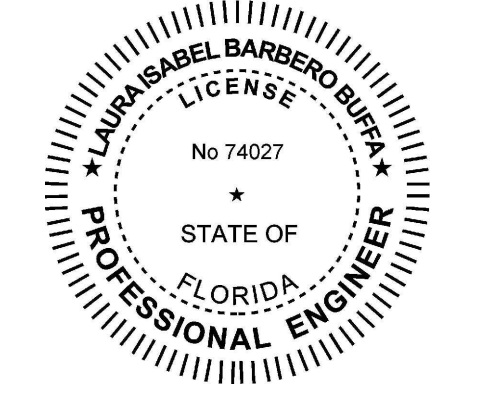
| TRIBUTARY AREA (S.F.) | 10 | 11 | 12 |
|-----------------------|--------|--------|--------|
| ≤10 | 10.00 | 10.00 | 10.00 |
| ≤10 | -45.26 | -71.04 | -96.82 |

ELEVATION 101'-0" TO 120'-0"

| TRIBUTARY AREA (S.F.) | 13 | 14 | 15 |
|-----------------------|--------|--------|---------|
| ≤10 | 10.00 | 10.00 | 10.00 |
| ≤10 | -47.68 | -74.84 | -102.00 |



KEY PLAN
SCALE: NTS

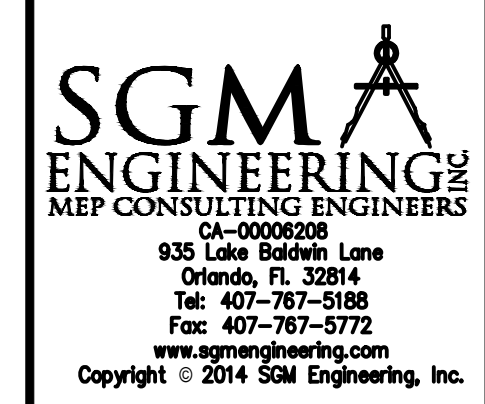


A/R/C Associates Incorporated

Architecture
Roof Consulting
Construction Technology
LIC. NBR AAC000932
601 North Fern Creek Avenue
Suite 100 Orlando, FL 32803-4899
Tel. (407) 896-7875
Fax. (407) 898-6043
Copyright © A/R/C ASSOCIATES, INC.

REVISIONS

| NO. | DATE | BY: |
|-----|------|-----|
| | | |

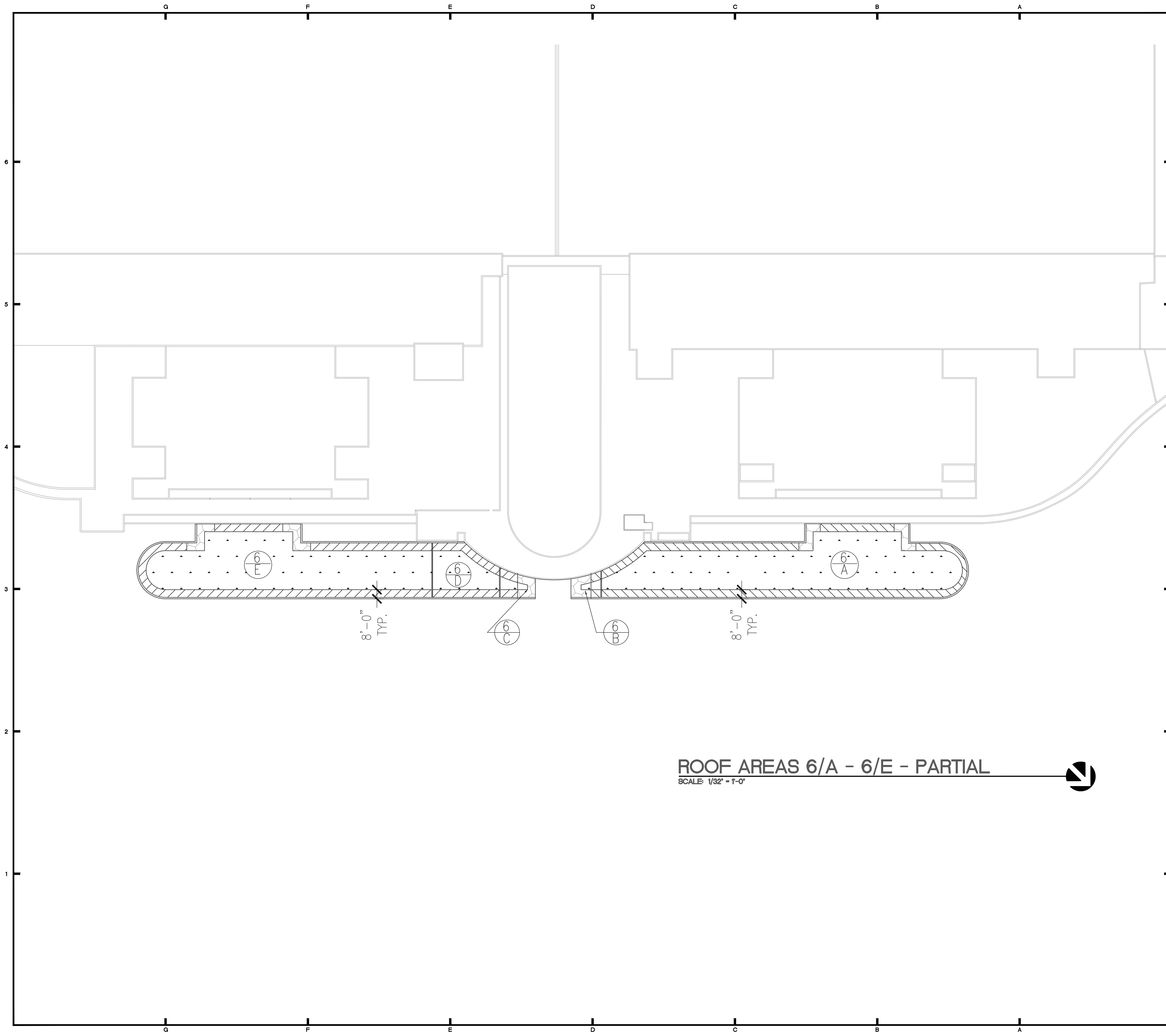


BASE CONSULTANTS
Engineering & Construction
1525 E. Colonial Ave.
Orlando, FL 32814
Tel: 407-767-5588
Fax: 407-767-5772
www.sgmengineering.com
Copyright © 2014 SGM Engineering, Inc.

DESIGNATED REPAIRS AND REPLACEMENT OF:
OCCC WEST BLDG ROOF REPLACEMENT
ORANGE COUNTY CONVENTION CENTER
9800 INTERNATIONAL DRIVE, ORLANDO, FL 32819

JOB NO.: 1603200
DRAWN BY: LBB
CHECKED BY SA
DATE: 05-08-2017
SCALE: NTS
PLOT SCALE:

S105
SHEET NO.:
56 OF 105 SHEET(S)



ROOF AREAS 6/A - 6/E - PARTIAL
SCALE: 1/32" = 1'-0"

WIND PRESSURE MAP NOTES:
THE WIND PRESSURE MAPS ARE BASED ON THE REQUIREMENTS OF THE FLORIDA BUILDING CODE, 2014 WHICH REFERENCE THE AMERICAN SOCIETY OF CIVIL ENGINEERS, "MINIMUM DESIGN LOADS FOR BUILDINGS AND OTHER STRUCTURES" (ASCE 7-10) AND THE FOLLOWING CRITERIA:
ULTIMATE WIND SPEED 149 MPH
RISK CATEGORY II
EXPOSURE B
INT. PRESSURE COEFF, GCPI ± 0.18
THIS STRUCTURE IS NOT LOCATED IN A WIND-BORNE DEBRIS REGION.

COMPONENTS AND CLADDING ULTIMATE WIND PRESSURES
ELEVATION ≤ 30'-0"

| | | | |
|-----------------------|--------|--------|---------|
| TRIBUTARY AREA (S.F.) | 1 | 2 | 3 |
| ≤10 | 16.25 | 16.25 | 16.25 |
| | -39.94 | -67.01 | -100.86 |

ELEVATION 31'-0" TO 60'-0"

| | | | |
|-----------------------|--------|--------|---------|
| TRIBUTARY AREA (S.F.) | 4 | 5 | 6 |
| ≤10 | 19.80 | 19.80 | 19.80 |
| | -48.68 | -81.09 | -122.95 |

ELEVATION 61'-0" TO 80'-0"

| | | | |
|-----------------------|--------|---------|---------|
| TRIBUTARY AREA (S.F.) | 7 | 8 | 9 |
| ≤10 | 16.00 | 16.00 | 16.00 |
| | -70.77 | -111.08 | -151.40 |

ELEVATION 81'-0" TO 100'-0"

| | | | |
|-----------------------|--------|---------|---------|
| TRIBUTARY AREA (S.F.) | 10 | 11 | 12 |
| ≤10 | 16.00 | 16.00 | 16.00 |
| | -75.43 | -118.40 | -161.36 |

ELEVATION 101'-0" TO 120'-0"

| | | | |
|-----------------------|--------|---------|---------|
| TRIBUTARY AREA (S.F.) | 13 | 14 | 15 |
| ≤10 | 16.00 | 16.00 | 16.00 |
| | -79.46 | -124.73 | -169.99 |

COMPONENTS AND CLADDING NOMINAL WIND PRESSURES
ELEVATION ≤ 30'-0"

| | | | |
|-----------------------|--------|--------|--------|
| TRIBUTARY AREA (S.F.) | 1 | 2 | 3 |
| ≤10 | 10.00 | 10.00 | 10.00 |
| | -23.96 | -40.21 | -60.52 |

ELEVATION 31'-0" TO 60'-0"

| | | | |
|-----------------------|--------|--------|--------|
| TRIBUTARY AREA (S.F.) | 4 | 5 | 6 |
| ≤10 | 11.88 | 11.88 | 11.88 |
| | -29.21 | -49.01 | -73.77 |

ELEVATION 61'-0" TO 80'-0"

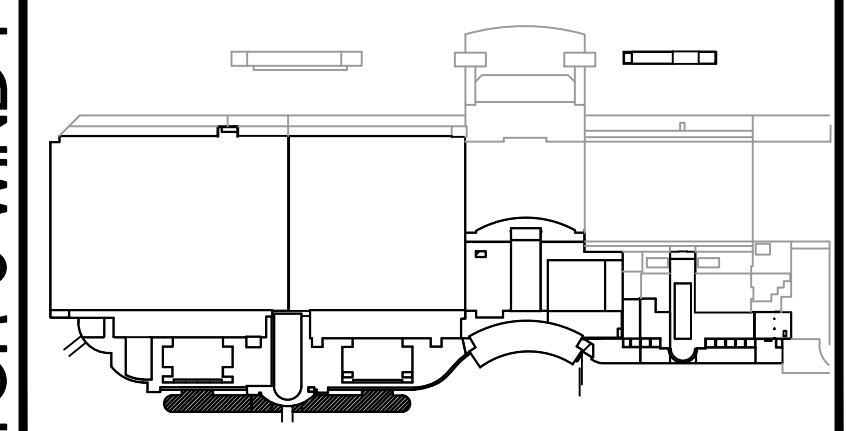
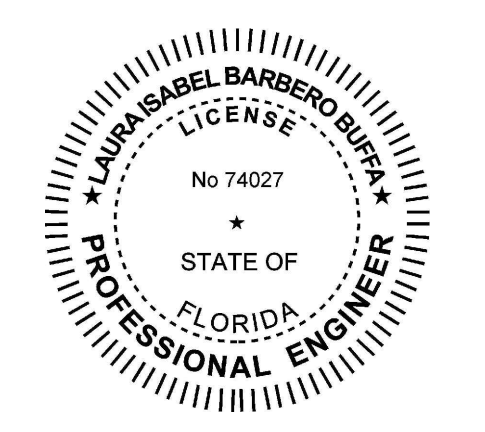
| | | | |
|-----------------------|--------|--------|--------|
| TRIBUTARY AREA (S.F.) | 7 | 8 | 9 |
| ≤10 | 10.00 | 10.00 | 10.00 |
| | -42.46 | -66.65 | -90.84 |

ELEVATION 81'-0" TO 100'-0"

| | | | |
|-----------------------|--------|--------|--------|
| TRIBUTARY AREA (S.F.) | 10 | 11 | 12 |
| ≤10 | 10.00 | 10.00 | 10.00 |
| | -45.26 | -71.04 | -96.82 |

ELEVATION 101'-0" TO 120'-0"

| | | | |
|-----------------------|--------|--------|---------|
| TRIBUTARY AREA (S.F.) | 13 | 14 | 15 |
| ≤10 | 10.00 | 10.00 | 10.00 |
| | -47.68 | -74.84 | -102.00 |



KEY PLAN
SCALE: NTS

A/R/C Associates Incorporated
Architecture
Roof Consulting
Construction Technology
LIC. NBR AAC000932
601 North Fern Creek Avenue
Suite 100 Orlando, FL 32805-4899
Tel. (407) 896-7875
Fax. (407) 898-6043
COPYRIGHT © A/R/C ASSOCIATES, INC.

REVISIONS

| NO. | DATE | BY: |
|-----|------|-----|
| | | |

SGM ENGINEERING
MEP CONSULTING ENGINEERS
935 Lake Nona Lane
Orlando, FL 32814
Tel: 407-767-5188
Fax: 407-767-5772
www.sgmengineering.com
Copyright © 2014 SGM Engineering, Inc.

BASE CONSULTANT
Engineering & Construction
1700 EAST CONVENT CENTER DRIVE
ORLANDO, FLORIDA 32817
FL 05277327

DESIGNATED REPAIRS AND REPLACEMENT OF:
OCCC WEST BLDG ROOF REPLACEMENT
ORANGE COUNTY CONVENTION CENTER
9800 INTERNATIONAL DRIVE, ORLANDO, FL 32819

JOB NO.: 16032.00
DRAWN BY: LBB
CHECKED BY SA
DATE: 05-08-2017
SCALE: NTS
PLOT SCALE:

S106
SHEET NO.:
57 OF 105 SHEET(S)