

**April 23, 2019**  
**BOARD OF COUNTY COMMISSIONERS**  
**ORANGE COUNTY, FLORIDA**  
**Y19-750-JS / ADDENDUM # 2**  
**ORANGE COUNTY CONVENTION CENTER**  
**CAMPUS SOUTH ACCESS/TRADESHOW BOULEVARD IMPROVEMENTS**

**Bid Opening Date: May 2, 2019**

This addendum is hereby incorporated into the bid documents of the project referenced above. The following items are clarifications, corrections, additions, deletions and/or revisions to and shall take precedence over the original documents. Underlining indicates additions, deletions are indicated by ~~strikethrough~~.

- A. The Bid Opening Date remains as May 2, 2019.
- B. The following are questions/responses/clarifications:
  - 1. Parking entrance A typical section requires the contractor to use FC-12.5, PG 76-22. The widening adjacent Parking Entrance A requires the contractor to use SP 12.5. Essentially, there will be two different types of asphalt mix at parking entrance A. Should the parking entrance A widening use the same type of asphalt material? There are other situations in the plans similar to this.

**Response: Friction course will not be required for the Parking Entrance A improvements. Please see Addendum 2 revised plans and quantities. Other locations have also been revised.**

- C. ATTACHMENTS:
  - 1. **Revised Bid Form D4: Schedule of Prices (note, changes in green)**
  - 2. **Revised Drawing Sheets: 1 ,2, 10, SQ-1, SQ-2, SQ-6**
- D. All other term and conditions of the IFB remain the same.
- E. The Proposer shall acknowledge receipt of this addendum by completing the applicable section in the solicitation or by completion of the acknowledgement information on the addendum. Either form of acknowledgement must be completed and returned not later than the date and time for receipt of the proposal.

**Receipt acknowledged by:**

\_\_\_\_\_  
**Authorized Signature**

\_\_\_\_\_  
**Date Signed**

\_\_\_\_\_  
**Title**

\_\_\_\_\_  
**Name of Firm**

**Y19-750-JS; ORANGE COUNTY CONVENTION CENTER  
CAMPUS SOUTH ACCESS/ TRADESHOW BOULEVARD IMPROVEMENTS,  
AND JAMES BOYD ENTRANCE IMPROVEMENTS (ADDITIVE ALTERNATE 1)  
SCHEDULE OF PRICES**

NO.	ITEM NO.	DESCRIPTION	UNIT	EST. QTY	UNIT COST	TOTAL
1	101-1	MOBILIZATION	LS	1		
2	102-1	MAINTENANCE OF TRAFFIC	LS	1		
3	104-14	PREVENTION/CONTROL/ABATEMENT OF EROSION AND WATER POLLUTION	LS	1		
4	110-1-1	CLEARING AND GRUBBING (4.3 AC)	LS	1		
5	120-9	EARTHWORK (EXCAVATION, EMBANKMENT, AND GRADING)	LS	1		
6	160-4	TYPE B STABILIZATION - (MIN. LBR 40) (12")	SY	7,115		
7	285-709	BASE GROUP 09 (TYPE B-12.5) (6")	SY	2,816		
8	285-712	BASE GROUP 12 (TYPE B-12.5) (7.5")	SY	2,835		
9	327-70-6	MILLING EXISTING ASPHALT PAVEMENT (1.5" AVERAGE DEPTH)	SY	8,471		
10	334-1-13A	TYPE SP STRUCTURAL COURSE (TRAFFIC LEVEL C) (1.5")	SY	8,471		
11	334-1-13B	TYPE SP STRUCTURAL COURSE (TRAFFIC LEVEL C) (3.0")	SY	5,650		
12	337-7-83	ASPH. CONC. FRICTION COURSE (TRAFFIC C, FC-12.5, PG 76-22) (1.5")	SY	2,835		
13	400-1-15	CLASS I CONCRETE (MISCELLANEOUS)	CY	5		
14	425-1-311	INLETS - CURB TYPE P-1 (<10')	EA	2		
15	425-1-321	INLETS - CURB TYPE P-2 (<10')	EA	1		
16	425-1-331	INLETS - CURB TYPE P-3 (<10')	EA	3		
17	425-1-341	INLETS - CURB TYPE P-4 (<10')	EA	5		
18	425-1-361	INLETS - CURB TYPE P-6 (<10')	EA	2		
19	425-2-71	MANHOLES - TYPE J-7 (<10')	EA	2		
20	425-5	MANHOLE, ADJUST	EA	1		
21	425-5-1	MANHOLE, ADJUST, UTILITIES	EA	4		
22	425-6	VALVE BOX, ADJUST	EA	3		
23	425-11	MODIFY EXISTING DRAINAGE STRUCTURE	EA	3		
24	430-94-1	DESILT EXISTING PIPE (0" - 24")	LF	300		
25	430-94-2	DESILT EXISTING PIPE (25" -36")	LF	50		
26	430-94-3	DESILT EXISTING PIPE (37" - 48")	LF	74		
27	430-94-4	DESILT EXISTING PIPE (49" - 60")	LF	115		
28	430-94-5	DESILT EXISTING PIPE (GREATER THAN 60")	LF	1779		
29	430-175-118	PIPE CULVERT - SRCP (S/CD) (ROUND) (18")	LF	1,003		
30	519-78-9	REMOVABLE BOLLARDS	EA	6		
31	520-1-7	CONCRETE CURB & GUTTER (TYPE E)	LF	520		
32	520-1-10	CONCRETE CURB & GUTTER (TYPE F)	LF	3,909		
33	570-1-2	PERFORMANCE TURF (SODDING)	SY	14,686		
34	635-2-99	ADJUST EXISTING VAULT	EA	1		
35	700-1-11	SINGLE POST SIGN (F&I) GROUND MOUNT (UP TO 12 S.F.)	AS	14		
36	700-1-12	SINGLE SIGN POST (F&I) GROUND MOUNT (12 S.F. TO 20 S.F.)	AS	6		
37	700-1-50	SINGLE POST SIGN - RELOCATE	AS	9		
38	700-1-60	SINGLE POST SIGN - REMOVE	AS	13		
39	705-10-1	OBJECT MARKER - TYPE 1 (18"+ DIAMOND)	EA	3		
40	706-3	RETRO-REFLECTIVE PAVEMENT MARKERS	EA	220		

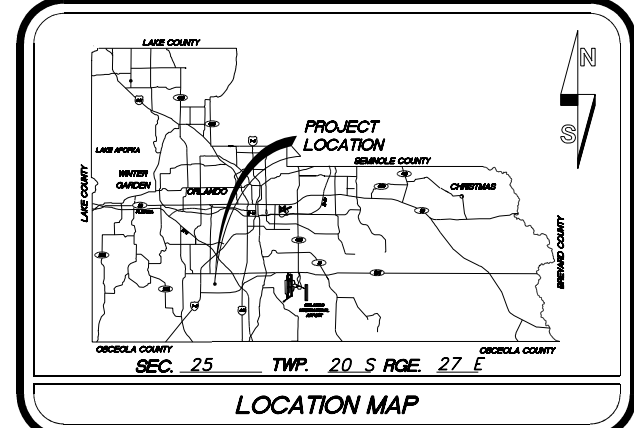
**REVISED D-4**



# CONSTRUCTION PLANS FOR ORANGE COUNTY CONVENTION CENTER CAMPUS SOUTH ACCESS / TRADESHOW BOULEVARD IMPROVEMENTS

## DISTRICT NO: 6 ORANGE COUNTY, FLORIDA

FINAL PLANS  
MARCH 13, 2019  
ADDENDUM 1  
APRIL 9, 2019  
ADDENDUM 2  
APRIL 22, 2019



INDEX OF SHEETS

SHEET	DESCRIPTION
1	COVER SHEET
2	SUMMARY OF PAY ITEMS
3	PAY ITEM NOTES
4	DRAINAGE MAP
5	EXISTING STRUCTURES
6	GENERAL NOTES AND DETAILS
7-11	TYPICAL SECTIONS
12	SUMMARY OF QUANTITIES
13	SUMMARY OF DRAINAGE STRUCTURES
14	DRAINAGE DETAILS
15-16	PROJECT LAYOUT
17	SURVEY CONTROL
18-22	PLAN SHEETS
23-28	PROFILE SHEETS
29-37	DRAINAGE STRUCTURE CROSS SECTIONS
38-39	EROSION CONTROL DETAILS
40-41	STORMWATER POLLUTION PREVENTION PLAN
42-45	ROADWAY SOIL SURVEY/BORINGS/PROBES
46-60	CROSS SECTIONS
61-66	CONSTRUCTION PHASING/TRAFFIC CONTROL PLAN
67-71	UTILITY ADJUSTMENT SHEETS
72-80	SUBSURFACE UTILITY INFORMATION
S-1 TO S-8	SIGNING AND PAVEMENT MARKING PLANS
AA-1 TO AA-19	JAMES BOYD ENTRANCE IMPROVEMENTS ADDITIVE ALTERNATE 1

UTILITIES ENCOUNTERED

PHONE: AT&T FLORIDA	561-997-0240
SEWER: ORANGE COUNTY PUBLIC UTILITIES	407-254-9764
PHONE : ORLANDO TELEPHONE COMPANY	407-996-6297
WATER : ORLANDO UTILITIES COMMISSION	407-434-2563
POWER: ORLANDO UTILITIES COMMISSION	407-434-2563
STREET LIGHTING: ORLANDO UTILITIES COMMISSION	407-434-2563
GAS: TECO PEOPLES GAS	813-275-3783
CATV: CHARTER COMMUNICATIONS	407-532-8511

**Pegasus ENGINEERING**  
PEGASUS ENGINEERING, LLC  
301 WEST STATE ROAD 434, SUITE 309  
WINTER SPRINGS, FLORIDA 32708  
TEL. 407-992-9160  
CERTIFICATE OF AUTHORIZATION NO. 27770

REVISIONS

REVISIONS	DATE	BY
ADDENDUM 1	4/9/19	KAJ
ADDENDUM 2	4/22/19	KAJ

DESIGNED BY: FM DATE: 3-13-19  
DRAWN BY: KAJ DATE: 3-13-19  
CHECKED BY: FM DATE: 3-13-19  
APPROVED BY: FM DATE: 3-13-19  
PROJECT NO: OCC-18048

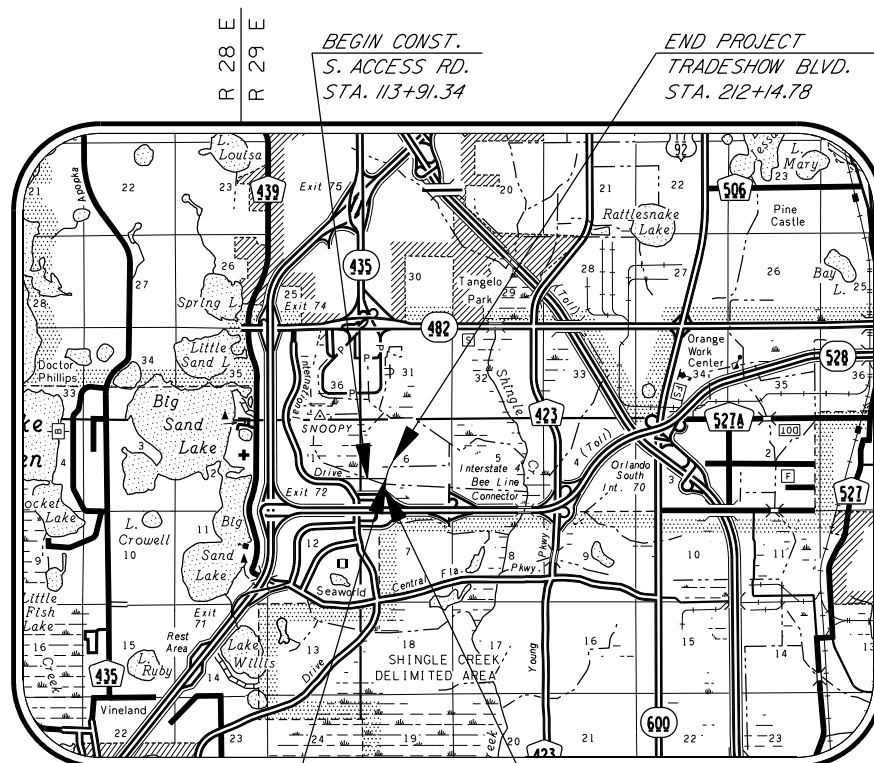
SHEET 1 OF 80

SOURCE OF BENCHMARK DATUM

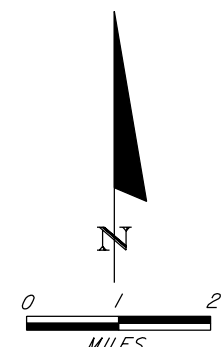
NOTE: ELEVATIONS SHOWN HERE ARE BASED UPON ORANGE COUNTY VERTICAL DATUM BEING (NGVD29) AS DERIVED FROM BENCHMARKS

SITE BENCHMARK NO. 1 SET NAIL & DISK STAMPED "SSMC TRAV.PT." ELEVATION=98.90 STA. 116+43.82 (151.15' LT.) (CL CONST ACCESS)	SITE BENCHMARK NO. 2 SET 5/8" IRON ROD STAMPED "SSMC TRAV.PT." ELEVATION=98.84 STA. 123+47.19 (97.55' LT.) CL CONST ACCESS
SITE BENCHMARK NO. 3 SET 5/8" IRON ROD STAMPED "SSMC TRAV.PT." ELEVATION=96.35 STA. 127+02.44 (290.64' LT.) CL CONST ACCESS	SITE BENCHMARK NO. 4 SET 5/8" IRON ROD STAMPED "SSMC TRAV.PT." ELEVATION=93.73 STA. 201+38.19 (21.47' LT.) CL CONST TRADESHOW
SITE BENCHMARK NO. 5 SET 5/8" IRON ROD STAMPED "SSMC TRAV.PT." ELEVATION=97.08 STA. 209+52.60 (59.86' LT.) CL CONST TRADESHOW	SITE BENCHMARK NO. 6 SET NAIL AND DISK STAMPED "SSMC TRAV.PT." ELEVATION=97.38 STA. 217+23.24 (61.32' LT.) CL CONST TRADESHOW

PROJECT LENGTH:	FEET	MILES
ROADWAY:	2028.81	0.384
BRIDGES:	0.00	0.000
TOTAL LENGTH:	2028.81	0.384



GOVERNING STANDARDS AND SPECIFICATIONS:  
FLORIDA DEPARTMENT OF TRANSPORTATION  
FY2018-19 STANDARD PLANS  
AND STANDARD SPECIFICATIONS FOR ROAD AND  
AND BRIDGE CONSTRUCTION, DATED JANUARY 2019  
AS AMENDED BY CONTRACT DOCUMENTS.



JERRY L. DEMINGS, COUNTY MAYOR

BOARD OF COUNTY COMMISSIONERS

BETSY VANDERLEY	DISTRICT 1
CHRISTINE MOORE	DISTRICT 2
MAYRA URIBE	DISTRICT 3
MARIBEL GOMEZ CORDERO	DISTRICT 4
EMILY BONILLA	DISTRICT 5
VICTORIA P. SIPLIN	DISTRICT 6

ADDENDUMS

4/9/2019 1 REVISED PLAN SHEETS: 67, 68, 69, AA-1, AA-2, AA-3, AA-8, AA-9, AA-12, AA-15, AA-16, AA-17  
ADDED PLAN SHEET: AA-17A  
REVISED COMPUTATION BOOK SHEETS: SQ-1, SQ-14, SQ-15

4/22/2019 2 REVISED PLAN SHEETS: 2, 10  
REVISED COMPUTATION BOOK SHEETS: SQ-1, SQ-2, SQ-6

NOTE

PLANS WERE PREPARED ACCORDING TO AVAILABLE INFORMATION TO ADEQUATELY ADDRESS CONDITIONS AS THEY EXISTED AT THE TIME OF PLANS PREPARATION. NEEDS, CONDITIONS AND OWNERSHIP OF PROPERTIES MAY HAVE CHANGED SINCE PROJECT DESIGN. THE COUNTY'S REPRESENTATIVE WILL ADDRESS CHANGES AND NEEDS WITH THE PROPERTY OWNER OR THEIR REPRESENTATIVES. CONTRACTOR SHALL WORK WITH THE COUNTY'S REPRESENTATIVE IN ADDRESSING AND MEETING NEEDS AND CONDITIONS THAT MAY HAVE CHANGED SINCE PLANS PREPARATION.

### CERTIFICATION TO PLANS

I HEREBY CERTIFY THAT THE DESIGN FOR THIS PROJECT AND THE ATTACHED CONSTRUCTION PLANS COMPLY WITH THE REQUIREMENTS OF SECTION 336.045 OF THE FLORIDA STATUTES AND ARE IN SUBSTANTIAL CONFORMANCE WITH THE STANDARDS CONTAINED IN THE EDITION OF THE "MANUAL OF UNIFORM MINIMUM STANDARDS FOR DESIGN, CONSTRUCTION AND MAINTENANCE FOR STREETS AND HIGHWAYS" IN EFFECT ON THIS DATE AS ADOPTED BY THE FLORIDA DEPARTMENT OF TRANSPORTATION PURSUANT TO SUBSECTION 336.045(1) OF THE FLORIDA STATUTES.

DATE: \_\_\_\_\_ ENGINEER: \_\_\_\_\_ FURSAN S. MUNJED, P.E.  
LICENSE NO. 51446  
CERTIFICATE OF AUTHORIZATION NO. 27770

SUMMARY OF PAY ITEMS - ROADWAY

ITEM NO.	DESCRIPTION	UNIT	QUANTITY	
			PLAN	FINAL
101-1	MOBILIZATION	LS	1	
102-1	MAINTENANCE OF TRAFFIC	LS	1	
104-14	PREVENTION, CONTROL AND ABATEMENT OF EROSION AND WATER POLLUTION	LS	1	
110-1-1	CLEARING AND GRUBBING (4.3 ACRES)	LS	1	
120-9	EARTHWORK (EXCAVATION, EMBANKMENT, AND GRADING)	LS	1	
160-4	TYPE B STABILIZATION (MIN LBR 40) (12")	SY	7115	
285-709	BASE GROUP 09 (TYPE B-12.5) (6")	SY	2816	
285-712	BASE GROUP 12 (TYPE B-12.5) (7.5")	SY	2835	
327-70-6	MILLING EXISTING ASPHALT PAVEMENT (1.5" AVE. DEPTH)	SY	8471	
334-1-13A	TYPE SP STRUCTURAL COURSE (TRAFFIC LEVEL C) (1.5")	SY	8471	
334-1-13B	TYPE SP STRUCTURAL COURSE (TRAFFIC LEVEL C) (3.0")	SY	5650	
337-7-83	TYPE FC 12.5 FRICTION COURSE (TRAFFIC LEVEL C) (PG 76-22) (1.5")	SY	2835	△
400-1-15	CLASS I CONCRETE (MISCELLANEOUS)	CY	5	
425-1-311	INLETS - CURB TYPE P-1 (<10')	EA	2	
425-1-321	INLETS - CURB TYPE P-2 (<10')	EA	1	
425-1-331	INLETS - CURB TYPE P-3 (<10')	EA	3	
425-1-341	INLETS - CURB TYPE P-4 (<10')	EA	5	
425-1-361	INLETS - CURB TYPE P-6 (<10')	EA	2	
425-2-71	MANHOLES - TYPE J-7 (<10')	EA	2	
425-5	MANHOLE, ADJUST	EA	1	
425-5-1	MANHOLE, ADJUST, UTILITIES	EA	4	
425-6	VALVE BOX, ADJUST	EA	3	
425-11	MODIFY EXISTING DRAINAGE STRUCTURE	EA	3	
430-94-1	DESILT EXISTING PIPE, 0"-24"	LF	300	
430-94-2	DESILT EXISTING PIPE, 25"-36"	LF	50	
430-94-3	DESILT EXISTING PIPE, 37"-48"	LF	74	
430-94-4	DESILT EXISTING PIPE, 49"-60"	LF	115	
430-94-5	DESILT EXISTING PIPE, GREATER THAN 60"	LF	1779	
430-175-118	PIPE CULVERT (STEEL REINFORCED CONC. PIPE) (S/CD) (18" ROUND)	LF	1003	
519-78-9	REMOVABLE BOLLARDS	EA	6	
520-1-7	CONCRETE CURB & GUTTER - TYPE E	LF	520	
520-1-10	CONCRETE CURB & GUTTER - TYPE F	LF	3909	
570-1-2	PERFORMANCE TURF (SODDING)	SY	14686	
635-2-99	ADJUST EXISTING VAULT	EA	1	
900-1	AS-BUILT PLANS	LS	1	
900-2	INDEMNIFICATION	LS	1	
900-3	GROUNDWATER TREATMENT AND DISPOSAL	ED	30	

SUMMARY OF PAY ITEMS - SIGNING AND PAVEMENT MARKINGS

ITEM NO.	DESCRIPTION	UNIT	QUANTITY	
			PLAN	FINAL
700-1-11	SINGLE POST SIGN (F&I) GROUND MOUNT (UP TO 12 S.F.)	AS	14	
700-1-12	SINGLE POST SIGN (F&I) GROUND MOUNT (12 S.F. TO 20 S.F.)	AS	6	
700-1-50	SINGLE POST SIGN - RELOCATE	AS	9	
700-1-60	SINGLE POST SIGN - REMOVE	AS	13	
705-10-1	OBJECT MARKER - TYPE 1 (18"+ DIAMOND)	EA	3	
706-3	RETRO-REFLECTIVE PAVEMENT MARKERS (BI-DIRECTIONAL WHITE/RED)	EA	186	
	RETRO-REFLECTIVE PAVEMENT MARKERS (BI-DIRECTIONAL YELLOW/YELLOW)	EA	34	
710-90	PAINTED PAVEMENT MARKINGS - FINAL SURFACE	LS	1	
711-11-124	THERMOPLASTIC PAVEMENT MARKINGS (STANDARD) - WHITE (SOLID) (18")	LF	555	
711-11-125	THERMOPLASTIC PAVEMENT MARKINGS (STANDARD) - WHITE (SOLID) (24")	LF	193	
711-11-141	THERMOPLASTIC PAVEMENT MARKINGS (STANDARD) - WHITE (2'-4' DOTTED GUIDELINE / 6'-10' GAP EXTENSION) (6")	GM	0.031	
711-11-160	THERMOPLASTIC PAVEMENT MARKINGS (STANDARD) - WHITE (MESSAGES)	EA	10	
711-11-170	THERMOPLASTIC PAVEMENT MARKINGS (STANDARD) - WHITE (ARROWS)	EA	39	
711-11-224	THERMOPLASTIC PAVEMENT MARKINGS (STANDARD) - YELLOW (SOLID) (18")	LF	48	
711-16-101	THERMOPLASTIC PAVEMENT MARKINGS (STANDARD-OTHER SURFACES) - WHITE (SOLID) (6")	GM	1.119	
711-16-131	THERMOPLASTIC PAVEMENT MARKINGS (STANDARD-OTHER SURFACES) - WHITE, SKIP, 6", (10'-30' SKIP OR 3'-9' LANE DROP)	GM	0.482	
711-16-201	THERMOPLASTIC PAVEMENT MARKINGS (STANDARD-OTHER SURFACES) - YELLOW (SOLID) (6")	GM	0.766	

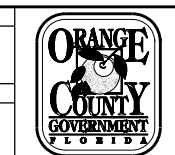
REVISIONS

DATE	BY	DESCRIPTION	DATE	BY	DESCRIPTION
4/22/19	KAJ	ADDENDUM 2 REVISED QUANTITY			

ENGINEER OF RECORD:  
 FURSAN MUNJED, P.E.  
 LICENSE # 51446  
 PEGASUS ENGINEERING, LLC  
 301 WEST STATE ROAD 434, SUITE 309  
 WINTER SPRINGS, FLORIDA 32708  
 TEL. 407-992-9160  
 CERTIFICATE OF AUTHORIZATION NO. 27770

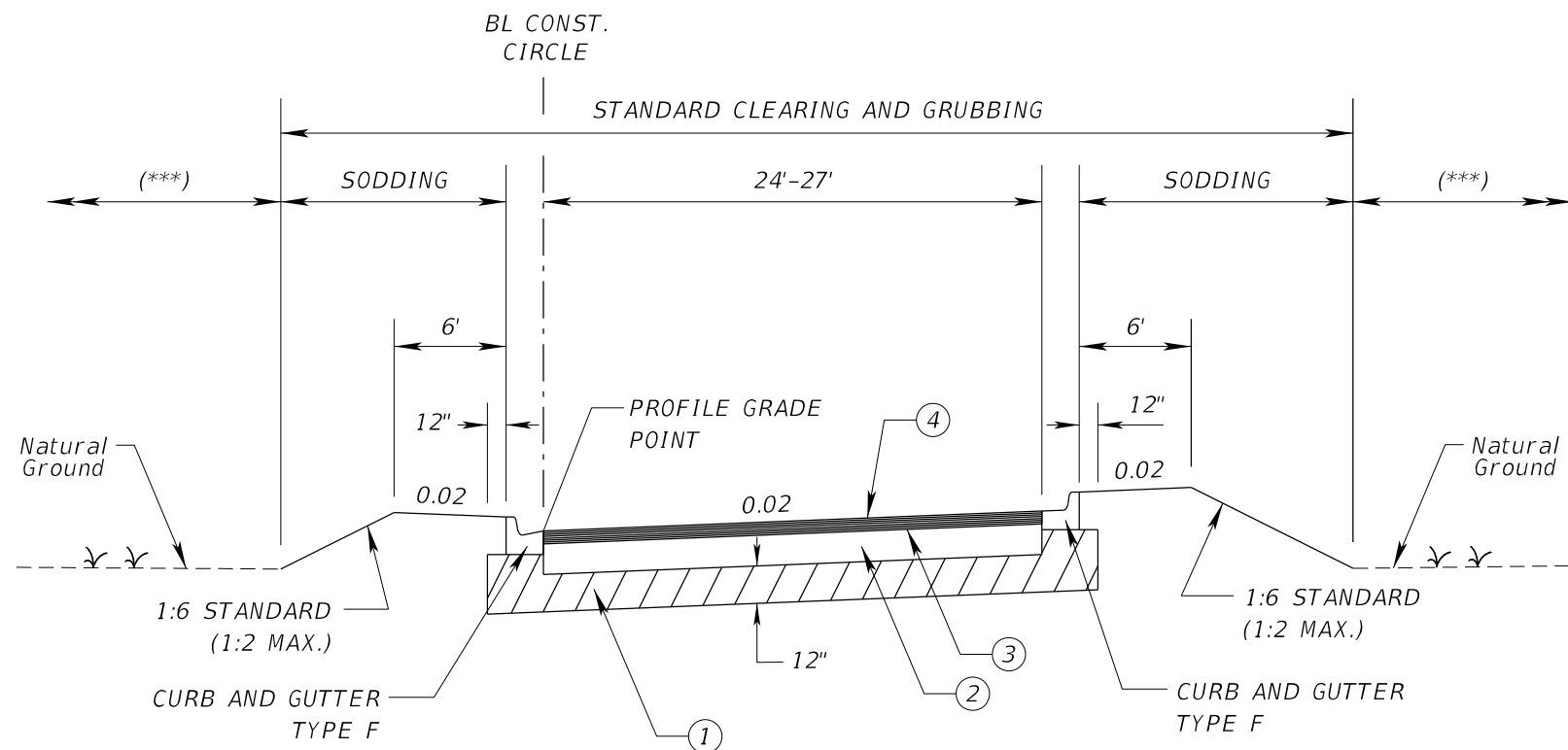


ROAD  
 TRADESHOW  
 PROJECT NO.  
 OCC-18048



SUMMARY OF PAY ITEMS

SHEET NO.  
 2

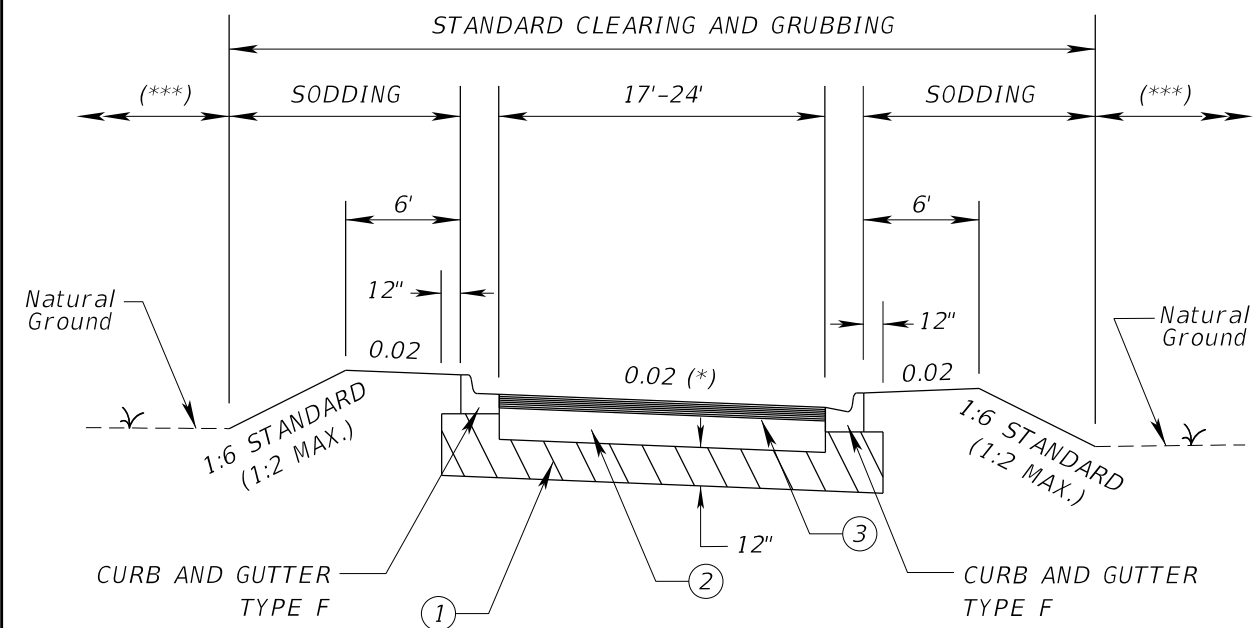


**TYPICAL SECTION NO. 4**  
**CROSSOVER CIRCLE**  
**STA. 40+50.00 TO STA. 42+09.50**

(\*\*\*)  
 DISTURBED AREA TO BE RESTORED  
 AND SODDED AS NECESSARY.

**ROADWAY PAVEMENT**

- ① 12" TYPE B STABILIZATION (MINIMUM LBR 40)
- ② BASE GROUP 12 (TYPE B-12.5 ONLY) (7.5")
- ③ TYPE SP STRUCTURAL COURSE (TRAFFIC LEVEL C) (3")
- ④ ASPH. CONC. FRICTION COURSE (TRAFFIC LEVEL C, FC-12.5) (PG 76-22) (1.5")



**TYPICAL SECTION NO. 5**  
**CROSSOVER ROAD C**  
**CROSSOVER ROAD D**  
**CROSSOVER ROAD E**  
**PARKING ENTRANCE A**  
**PARKING ENTRANCE B**

(\*) SEE PLAN SHEETS  
 FOR ADDITIONAL  
 CROSS-SLOPE DETAILS

**ROADWAY PAVEMENT**

- ① 12" TYPE B STABILIZATION (MINIMUM LBR 40)
- ② BASE GROUP 09 (TYPE B-12.5 ONLY) (6")
- ③ TYPE SP STRUCTURAL COURSE (TRAFFIC LEVEL C) (3")
- ④ ASPH. CONC. FRICTION COURSE (TRAFFIC LEVEL C, FC-12.5) (PG 76-22) (1.5")

REVISIONS						ENGINEER OF RECORD: FURSAN MUNJED, P.E. LICENSE # 51446 PEGASUS ENGINEERING, LLC 301 WEST STATE ROAD 434, SUITE 309 WINTER SPRINGS, FLORIDA 32708 TEL. 407-992-9160 CERTIFICATE OF AUTHORIZATION NO. 27770		ROAD			SHEET NO. 10
DATE	BY	DESCRIPTION	DATE	BY	DESCRIPTION			TRADESHOW	PROJECT NO.		
4/22/19	KAJ	ADDENDUM 2 REVISED TYPICAL SECTION NO. 5					OCC-18048		TYPICAL SECTION CROSSOVER CIRCLE		



**QUANTITY COMPUTATIONS FOR  
ORANGE COUNTY CONVENTION CENTER  
CAMPUS SOUTH ACCESS / TRADESHOW BOULEVARD IMPROVEMENTS,  
AND JAMES BOYD ENTRANCE IMPROVEMENTS (ADDITIVE ALTERNATE 1)**

**DISTRICT NO: 6  
ORANGE COUNTY, FLORIDA**

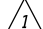
**FINAL PLANS  
MARCH 13, 2019  
ADDENDUM 1  
APRIL 9, 2019  
ADDENDUM 2  
APRIL 22, 2019**

  
**Pegasus  
ENGINEERING**  
PEGASUS ENGINEERING, LLC  
301 WEST STATE ROAD 434, SUITE 309  
WINTER SPRINGS, FLORIDA 32708  
TEL. 407-992-9160  
CERTIFICATE OF AUTHORIZATION NO. 27770

REVISIONS	DATE	BY
ADDENDUM 1	4/9/19	KAJ
ADDENDUM 2	4/22/19	KAJ

**SHEET SQ-1**

ADDENDUMS

4/9/2019  REVISED COMPUTATION BOOK SHEETS: SQ-1, SQ-14, SQ-15

4/22/2019  REVISED COMPUTATION BOOK SHEETS: SQ-1, SQ-2, SQ-6

SUMMARY OF PAY ITEMS - ROADWAY

ITEM NO.	DESCRIPTION	UNIT	QUANTITY	
			PLAN	FINAL
101-1	MOBILIZATION	LS	1	
102-1	MAINTENANCE OF TRAFFIC	LS	1	
104-14	PREVENTION, CONTROL AND ABATEMENT OF EROSION AND WATER POLLUTION	LS	1	
110-1-1	CLEARING AND GRUBBING (4.3 ACRES)	LS	1	
120-9	EARTHWORK (EXCAVATION, EMBANKMENT, AND GRADING)	LS	1	
160-4	TYPE B STABILIZATION (MIN LBR 40) (12")	SY	7115	
285-709	BASE GROUP 09 (TYPE B-12.5) (6")	SY	2816	
285-712	BASE GROUP 12 (TYPE B-12.5) (7.5")	SY	2835	
327-70-6	MILLING EXISTING ASPHALT PAVEMENT (1.5" AVE. DEPTH)	SY	8471	
334-1-13A	TYPE SP STRUCTURAL COURSE (TRAFFIC LEVEL C) (1.5")	SY	8471	
334-1-13B	TYPE SP STRUCTURAL COURSE (TRAFFIC LEVEL C) (3.0")	SY	5650	
337-7-83	TYPE FC 12.5 FRICTION COURSE (TRAFFIC LEVEL C) (PG 76-22) (1.5")	SY	2835	△
400-1-15	CLASS I CONCRETE (MISCELLANEOUS)	CY	5	
425-1-311	INLETS - CURB TYPE P-1 (<10')	EA	2	
425-1-321	INLETS - CURB TYPE P-2 (<10')	EA	1	
425-1-331	INLETS - CURB TYPE P-3 (<10')	EA	3	
425-1-341	INLETS - CURB TYPE P-4 (<10')	EA	5	
425-1-361	INLETS - CURB TYPE P-6 (<10')	EA	2	
425-2-71	MANHOLES - TYPE J-7 (<10')	EA	2	
425-5	MANHOLE, ADJUST	EA	1	
425-5-1	MANHOLE, ADJUST, UTILITIES	EA	4	
425-6	VALVE BOX, ADJUST	EA	3	
425-11	MODIFY EXISTING DRAINAGE STRUCTURE	EA	3	
430-94-1	DESILT EXISTING PIPE, 0"-24"	LF	300	
430-94-2	DESILT EXISTING PIPE, 25"-36"	LF	50	
430-94-3	DESILT EXISTING PIPE, 37"-48"	LF	74	
430-94-4	DESILT EXISTING PIPE, 49"-60"	LF	115	
430-94-5	DESILT EXISTING PIPE, GREATER THAN 60"	LF	1779	
430-175-118	PIPE CULVERT (STEEL REINFORCED CONC. PIPE) (S/CD) (18" ROUND)	LF	1003	
519-78-9	REMOVABLE BOLLARDS	EA	6	
520-1-7	CONCRETE CURB & GUTTER - TYPE E	LF	520	
520-1-10	CONCRETE CURB & GUTTER - TYPE F	LF	3909	
570-1-2	PERFORMANCE TURF (SODDING)	SY	14686	
635-2-99	ADJUST EXISTING VAULT	EA	1	
900-1	AS-BUILT PLANS	LS	1	
900-2	INDEMNIFICATION	LS	1	
900-3	GROUNDWATER TREATMENT AND DISPOSAL	ED	30	

SUMMARY OF PAY ITEMS - SIGNING AND PAVEMENT MARKINGS

ITEM NO.	DESCRIPTION	UNIT	QUANTITY	
			PLAN	FINAL
700-1-11	SINGLE POST SIGN (F&I) GROUND MOUNT (UP TO 12 S.F.)	AS	14	
700-1-12	SINGLE POST SIGN (F&I) GROUND MOUNT (12 S.F. TO 20 S.F.)	AS	6	
700-1-50	SINGLE POST SIGN - RELOCATE	AS	9	
700-1-60	SINGLE POST SIGN - REMOVE	AS	13	
705-10-1	OBJECT MARKER - TYPE 1 (18"+ DIAMOND)	EA	3	
706-3	RETRO-REFLECTIVE PAVEMENT MARKERS (BI-DIRECTIONAL WHITE/RED)	EA	186	
	RETRO-REFLECTIVE PAVEMENT MARKERS (BI-DIRECTIONAL YELLOW/YELLOW)	EA	34	
710-90	PAINTED PAVEMENT MARKINGS - FINAL SURFACE	LS	1	
711-11-124	THERMOPLASTIC PAVEMENT MARKINGS (STANDARD) - WHITE (SOLID) (18")	LF	555	
711-11-125	THERMOPLASTIC PAVEMENT MARKINGS (STANDARD) - WHITE (SOLID) (24")	LF	193	
711-11-141	THERMOPLASTIC PAVEMENT MARKINGS (STANDARD) - WHITE (2'-4' DOTTED GUIDELINE / 6'-10' GAP EXTENSION) (6")	GM	0.031	
711-11-160	THERMOPLASTIC PAVEMENT MARKINGS (STANDARD) - WHITE (MESSAGES)	EA	10	
711-11-170	THERMOPLASTIC PAVEMENT MARKINGS (STANDARD) - WHITE (ARROWS)	EA	39	
711-11-224	THERMOPLASTIC PAVEMENT MARKINGS (STANDARD) - YELLOW (SOLID) (18")	LF	48	
711-16-101	THERMOPLASTIC PAVEMENT MARKINGS (STANDARD-OTHER SURFACES) - WHITE (SOLID) (6")	GM	1.119	
711-16-131	THERMOPLASTIC PAVEMENT MARKINGS (STANDARD-OTHER SURFACES) - WHITE, SKIP, 6", (10'-30' SKIP OR 3'-9' LANE DROP)	GM	0.482	
711-16-201	THERMOPLASTIC PAVEMENT MARKINGS (STANDARD-OTHER SURFACES) - YELLOW (SOLID) (6")	GM	0.766	

REVISIONS

DATE	BY	DESCRIPTION	DATE	BY	DESCRIPTION
4/22/19	KAJ	ADDENDUM 2 REVISED QUANTITY			

ENGINEER OF RECORD:  
 FURSAN MUNJED, P.E.  
 LICENSE # 51446  
 PEGASUS ENGINEERING, LLC  
 301 WEST STATE ROAD 434, SUITE 309  
 WINTER SPRINGS, FLORIDA 32708  
 TEL. 407-992-9160  
 CERTIFICATE OF AUTHORIZATION NO. 27770



ROAD  
 TRADESHOW  
 PROJECT NO.  
 OCC-18048



QUANTITY COMPUTATIONS  
 SOUTH ACCESS ROAD &  
 TRADESHOW BOULEVARD

SHEET NO.  
 SQ-2

**SUMMARY OF PAVEMENT**

PAY ITEM NO.	PAY ITEM DESCRIPTION	LOCATION		SIDE	AREA ID	LENGTH	WIDTH	UNIT	QUANTITY		TOTAL		DESIGN NOTES	CONSTRUCTION REMARKS
		STA. TO STA.	DESCRIPTION						P	F	P	F		
334-1-13A	TYPE SP STRUCTURAL COURSE	113+91.31 to 126+91.36	M&R AREA	RT.	58152	1300.05		SY	3500.59		8471.0		EB SOUTH ACCESS RD.	
	(TRAFFIC LEVEL C) (1.5")	116+23.59 to 116+56.18	M&R AREA	RT/LT	56446	32.59			67.31				WB SOUTH ACCESS RD.	
		121+93.68 to 124+33.29	M&R AREA	RT/LT	56470	239.61			616.67				WB SOUTH ACCESS RD.	
		124+49.02 to 125+53.69	M&R AREA	RT/LT	56478	104.67			249.75				WB SOUTH ACCESS RD.	
		120+55.85 to 124+12.39	M&R AREA	LT.	56454	356.54			2437.97				ENTRANCE RD.	
		124+82.34 to 126+90.86	M&R AREA	LT.	56467	208.52			1598.53				ENTRANCE RD.	
334-1-13B	TYPE SP STRUCTURAL COURSE	209+04.70 to 212+14.78	WIDENING	LT.	60795	310.08		SY	382.66		5650.0		CL CONST. TRADESHOW	
	(TRAFFIC LEVEL C) (3.0")	115+06.38 to 115+79.55	WIDENING	RT.	56865	73.17			41.64				EB SOUTH ACCESS RD.	
		116+08.49 to 117+59.85	WIDENING	RT.	56859	151.36			103.79				EB SOUTH ACCESS RD.	
		116+23.60 to 116+56.25	WIDENING	LT.	56956	32.65			23.23				WB SOUTH ACCESS RD.	
		116+56.08 to 120+51.22	FULL-DEPTH	RT/LT	56836	395.14			1070.10				WB SOUTH ACCESS RD.	
		120+51.22 to 121+93.68	FULL-DEPTH	RT/LT	56819	142.46			381.37				WB SOUTH ACCESS RD.	
		CROSSOVER C	FULL-DEPTH	RT/LT	56849				214.85					
		CROSSOVER D	FULL-DEPTH	RT/LT	56826				232.04					
		CROSSOVER E	FULL-DEPTH	RT/LT	56581				147.63					
		CROSSOVER E	FULL-DEPTH	RT/LT	56592				57.00					
		PARKING ENTRANCE A	FULL-DEPTH	RT/LT	56977				297.58					
		PARKING ENTRANCE B	FULL-DEPTH	RT/LT	56605				246.35					
		40+50.00 to 42+09.50	FULL-DEPTH	RT.	56618	159.50			714.75				CL CONST. CIRCLE	
		61+47.53 to 63+89.32	FULL-DEPTH	RT/LT	56626	241.79			639.58				CL CONST. EXIT	
		80+75.00 to 83+79.79	FULL-DEPTH	RT/LT	56637	304.79			1097.20				CL CONST. ENTRANCE	
337-7-83	ASPHALTIC CONC. FRICTION COURSE	209+04.70 to 212+14.78	WIDENING	LT.	59730	310.08		SY	382.66		2835.0		CL CONST. TRADESHOW	
	TRAFFIC LEVEL C, FC-12.5	40+50.00 to 42+09.50	FULL-DEPTH	RT.	56618	159.50			714.75				CL CONST. CIRCLE	
	PG 76-22, (1.5")	61+47.53 to 63+89.32	FULL-DEPTH	RT/LT	56626	241.79			639.58				CL CONST. EXIT	
		80+75.00 to 83+79.79	FULL-DEPTH	RT/LT	56637	304.79			1097.20				CL CONST. ENTRANCE	

2

<p align="center"><b>REVISIONS</b></p> <table border="1"> <thead> <tr> <th>DATE</th> <th>BY</th> <th>DESCRIPTION</th> <th>DATE</th> <th>BY</th> <th>DESCRIPTION</th> </tr> </thead> <tbody> <tr> <td>4/22/19</td> <td>KAJ</td> <td>ADDENDUM 2 REVISED QUANTITIES</td> <td></td> <td></td> <td></td> </tr> </tbody> </table>						DATE	BY	DESCRIPTION	DATE	BY	DESCRIPTION	4/22/19	KAJ	ADDENDUM 2 REVISED QUANTITIES				<p>ENGINEER OF RECORD:                  FURSAN MUNJED, P.E.                  LICENSE # 51446                  PEGASUS ENGINEERING, LLC                  301 WEST STATE ROAD 434, SUITE 309                  WINTER SPRINGS, FLORIDA 32708                  TEL. 407-992-9160                  CERTIFICATE OF AUTHORIZATION NO. 27770</p>			<p align="center"><b>Pegasus ENGINEERING</b></p>		<p>ROAD TRADESHOW PROJECT NO. OCC-18048</p>				<p align="center">QUANTITY COMPUTATIONS SOUTH ACCESS ROAD &amp; TRADESHOW BOULEVARD</p>		<p>SHEET NO. SQ-6</p>
DATE	BY	DESCRIPTION	DATE	BY	DESCRIPTION																								
4/22/19	KAJ	ADDENDUM 2 REVISED QUANTITIES																											