

# ORANGE COUNTY CONVENTION CENTER West Phone Bank 1 Signage, Advertising & Branding

ORANGE COUNTY MAYOR  
TERESA JACOBS

DISTRICT 1 COMMISSIONER  
BETSY VANDERLEY

DISTRICT 2 COMMISSIONER  
BRYAN NELSON



DISTRICT 3 COMMISSIONER  
PETE CLARKE

DISTRICT 4 COMMISSIONER  
JENNIFER THOMPSON

DISTRICT 5 COMMISSIONER  
EMILY BONILLA

DISTRICT 6 COMMISSIONER  
VICTORIA P. SIPLIN

100% CD DOCUMENTS  
12 15 2017

# ATKINS

482 SOUTH KELLER ROAD  
ORLANDO, FLORIDA 32810

Sheet Number	Sheet Name	Scale	Sheet Issued
G-000	COVER SHEET AND SHEET INDEX	No Scale	Yes
A-001	LEGENDS AND ABBREVIATIONS	No Scale	Yes
A-121	REFLECTED CEILING PLAN	1/8"=1'-0"	Yes
E-001	ELECTRICAL LEGEND	No Scale	Yes
E-101	ELECTRICAL NEW PLAN	1/8"=1'-0"	Yes

# ATKINS

482 SOUTH KELLER ROAD  
ORLANDO, FL 32810  
PHONE: 407.647.7275 FAX: 407.740.8958

CONSULTANT:

CLIENT:



PROJECT NAME:

**Orange County Convention Center  
West Phone Bank 1 – Signage, Advertising & Branding**  
 9800 International Drive, Orlando FL 32819  
 100047844

No. Date Description

ISSUE LOG

PROFESSIONAL SEALS:

ANGEL E. LORENZO, P.E.  
FLORIDA REG NO. 31137

SHEET TITLE:

**COVER SHEET AND SHEET INDEX**

SHEET INFORMATION:

JOB No. **100047844** Date Issued: DECEMBER 15, 2017

Designed By: JP Sheet Number:

Checked By: JP

OC Review: AEL

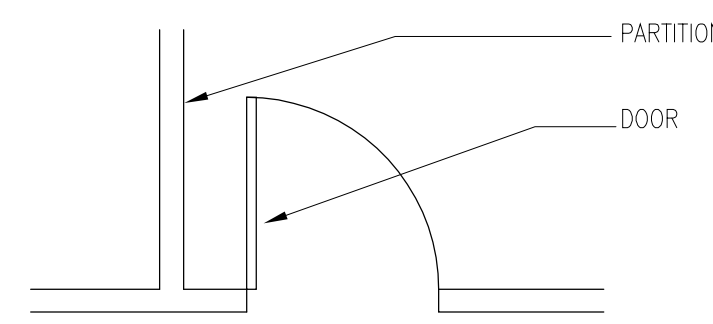
Phase: 100% CD

**G-000**

## DIMENSIONING

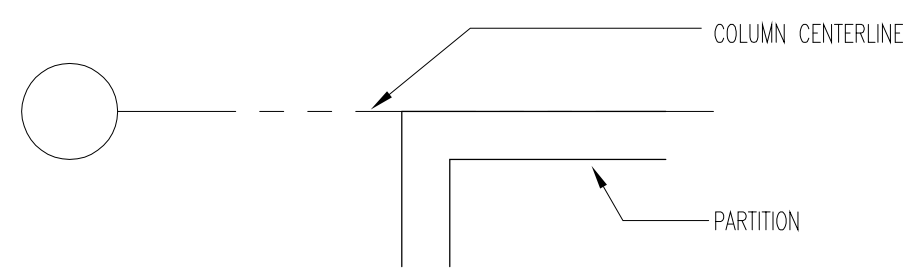
1. WHEN A ROOM/BUILDING/OBJECT CENTERLINE IS INDICATED, ONLY ONE SIDE OF ELEMENT MAY BE DIMENSIONED

2. DOOR LOCATION  
DOORS ARE LOCATED BY ONE OF THE FOLLOWING:  
A. ONE JAMB FACE LOCATED BY A PARTITION AT RIGHT ANGLE.

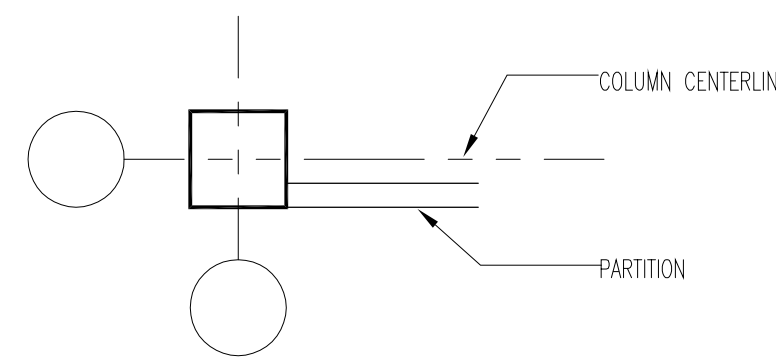


B. AS DIMENSIONED

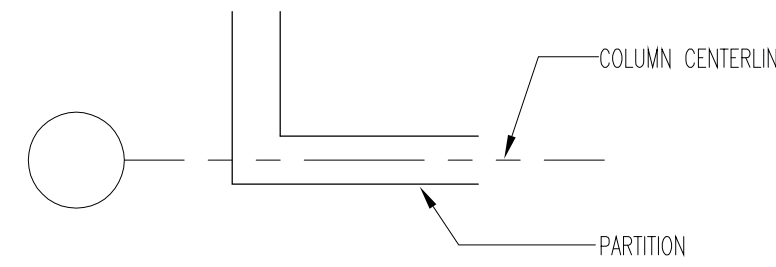
3. PARTITION FINISH FACE ON COLUMN OR GRID LINE WILL NOT BE DIMENSIONED ON SMALL SCALE PLANS BUT WILL BE DRAWN ACCORDINGLY ON LARGER SCALE DRAWINGS.



4. PARTITIONS WITH FINISH FACE FLUSH WITH FINISH FACE OF COLUMN WILL NOT BE DRAWN ON SMALL SCALE PLANS BUT WILL BE DRAWN ACCORDINGLY ON LARGER SCALE DRAWINGS.



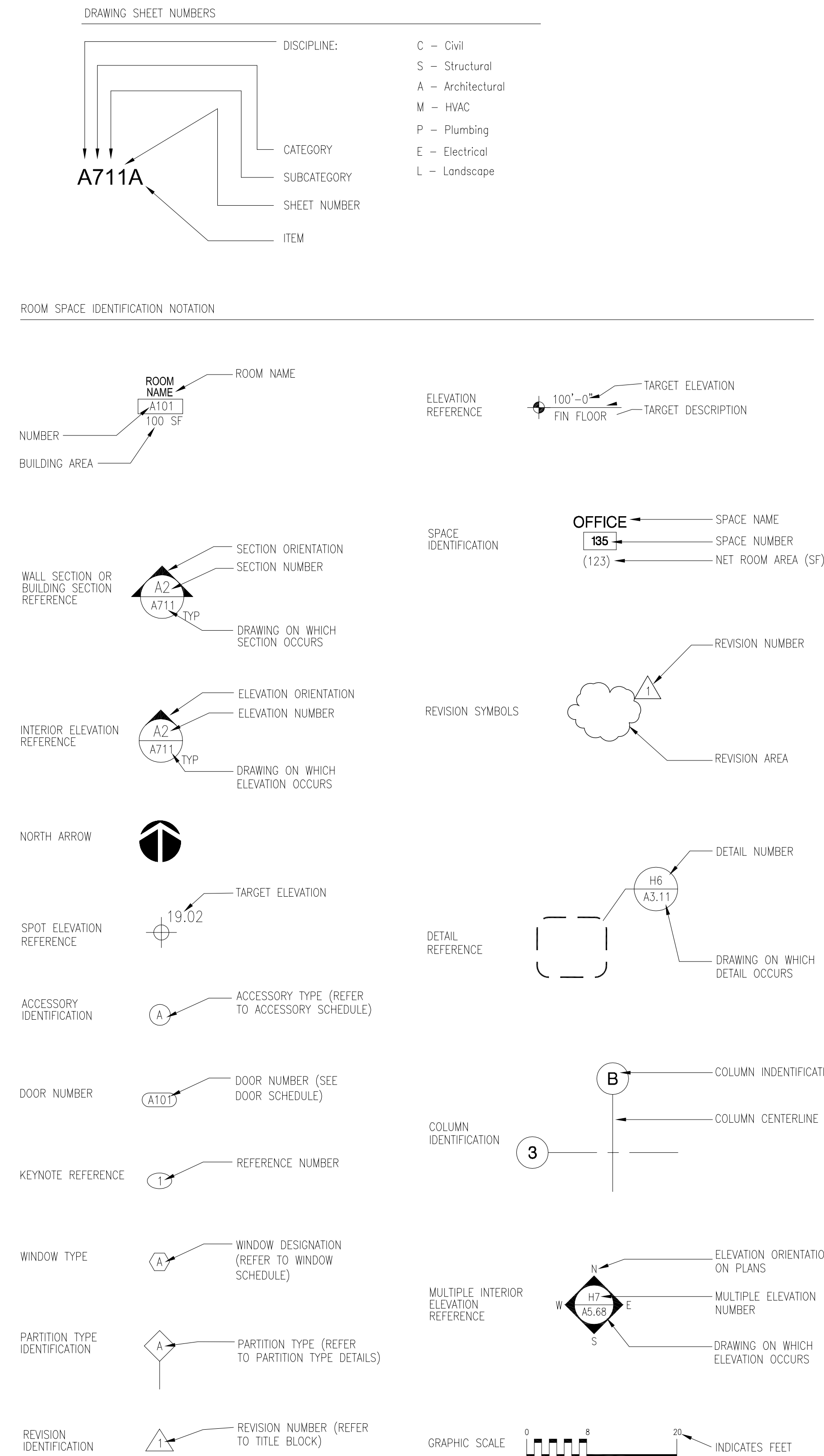
5. PARTITIONS CENTERED ON COLUMNS OR GRID LINES WILL NOT BE DIMENSIONED ON SMALL SCALE PLANS BUT WILL BE DRAWN ACCORDINGLY ON LARGER SCALE DRAWINGS.



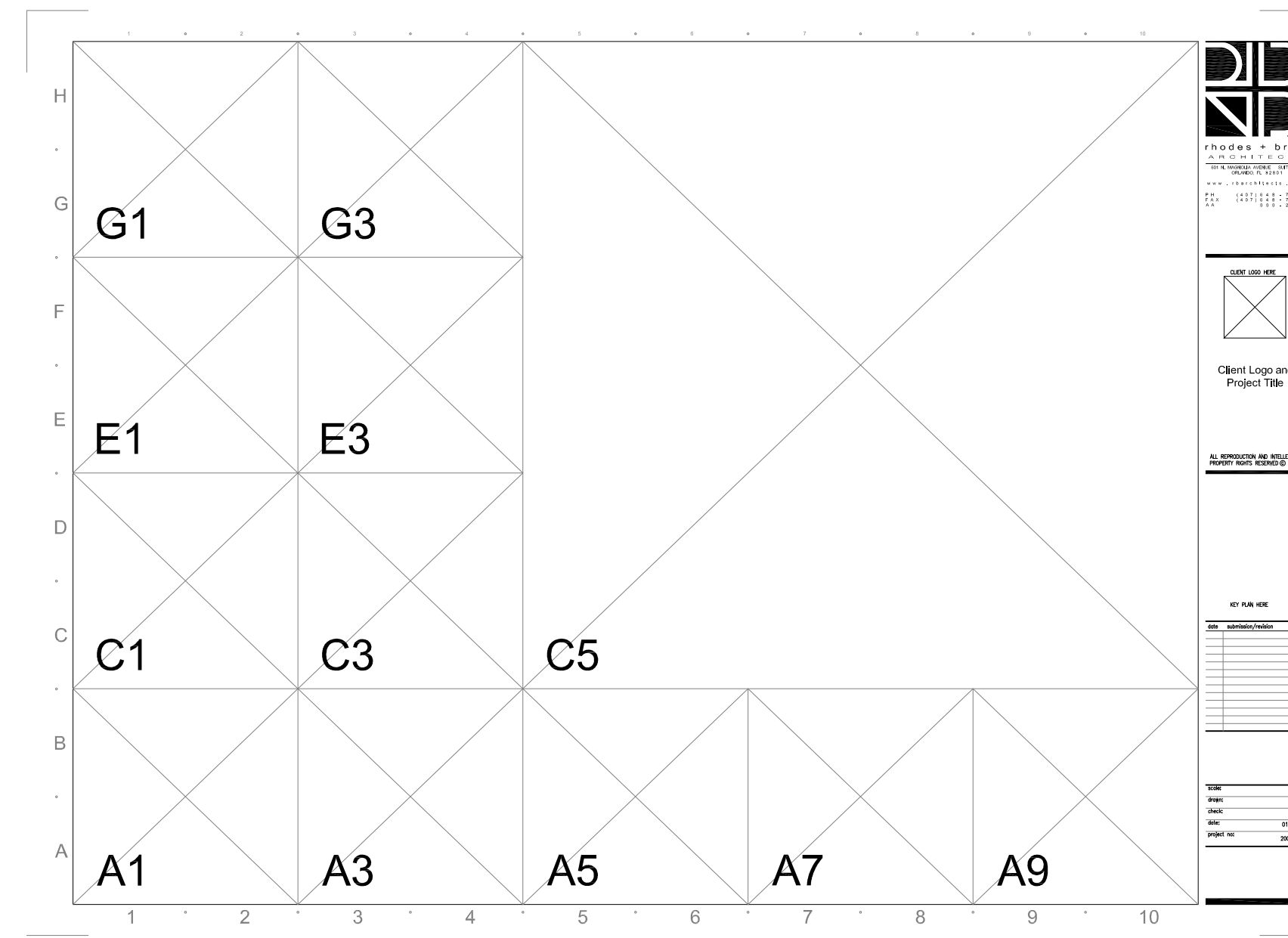
6. PARTITIONS ARE DIMENSIONED TO FACE OF STUDS, FACE OF CMU AND FACE OF BLOCK UNLESS INDICATED OTHERWISE

7. DIMENSIONS ARE INDICATED ON DRAWINGS, DO NOT SCALE DRAWINGS

## DRAWING SYMBOL LEGEND



## DRAWING FORMAT



EACH SHEET IS DIVIDED INTO A GRID. AN ALPHA-NUMERIC GRID COORDINATE SYSTEM IS USED TO ORGANIZE THE DRAWING TITLES. DRAWING TITLES ARE NUMBERED ACCORDING TO ITS LOCATION ON THE GRID. THE LOWER LEFT HAND CORNER GRID OF THE DRAWING IS USED AS THE IDENTIFICATION NUMBER (SEE DIAGRAM).

## DRAWING INDEX

### Architecture

A001 LEGENDS AND ABBREVIATIONS  
A121 REFLECTED CEILING PLAN AND DETAILS

## LIST OF ABBREVIATIONS

AB	ANCHOR BOLT	CAB	CABINET	DRI	DRIPLE	FAS	FIRE ALARM	H3	HOSE BIB	LAB	LABORATORY	N	NORTH	QTR	QUARRY TILE	S	SOUTH	UC	UNDERCUT
ABV	ABOVE	CAT	CATEGORY	DEM	DEMOLISH, DEMOLITION	FBD	FACE BRICK	HD	HARDBOARD	LAM	LAMINATE	NA	NOT APPLICABLE	QTR	QUARTER	SC	SOLID CORE	UL	UNDERWRITERS LABORATORY
A/C	AIR CONDITIONING	CB	CAST BASIN	DEP	DEPRESSED	FB	FACE BRICK	HC	HOLLOW CORE	LAV	LABORATORY	NOVD	NATIONAL GEODETIC	QTR	QUARTER	SCHED	SCHEDULE	UNF	UNFINISHED
AC	ACOUSTICAL	C/C	CENTER TO CENTER	DEPT	DEPARTMENT	FBO	FURNISHED BY OTHERS	HD	HEAVY DUTY	LB	LAG BOLT	NO	NOT IN CONTRACT	QTR	QUARTER	SD	STORM DRAIN	UNO	UNLESS NOTED
ACPL	ACOUSTICAL PLASTER	CFT	CUBIC FOOT	DF	DRINKING FOUNTAIN	FCD	FLOOR CLEAN OUT	HBR	HEADER	LBL	LABEL	NC	NOT IN CONTRACT	QTR	QUARTER	SECT	SECTION	UR	URNAL
ACT	ACOUSTICAL TILE	CC	CORNER GUARD	DH	DIAGONAL	FD	FLOOR DRAIN	HJ	HEAD JOINT	LF	LINEAR FOOT	NO	NUMBER	QTR	QUARTER	SQ	SQUARE FOOT		
AD	AREA DRAIN	CH	CHAMFER	DA	DIAGONAL	FE	FIRE EXTINGUISHER	HM	HOLLOW METAL	LH	LEFT HAND	NO	NUMBER	QTR	QUARTER	SQCL	SQUARE FEET		
ADD	ADDITIONAL	CHT	CULING HEIGHT	DM	DIMENSION	FF	FACTORY FINISH	HR	HORIZONTAL	LL	LOW LOAD	NS	NOT TO SCALE	QTR	QUARTER	SG	SHEET GLASS		
ADD'D	ADDITIONAL	CI	CAST IRON	DISP	DISPENSER	FET	FINISHED FLOOR ELEVATION	HP	HIGH POINT	LS	LUMP SUM			QTR	QUARTER	SH	SHIELDING		
ADJ	ADJUSTABLE	CP	CAST-IN-PLACE	DIV DR	DIVISION DOOR	FGL	FIBERGLASS	HR	HOUR	LT	LIGHT			QTR	QUARTER	SHV	SHELVING		
A/E	ARCHITECT/ENGINEER	CR	CORNER	DL	DEAD LOAD	FHT	FIRE HYDRANT	HRW	HARDWARE	LVL	LAMINATED VENEER LUMBER			QTR	QUARTER	SHW	SHEATHING		
A/E	ARCHITECT/ENGINEER	CK	CAULK	DP	DAMP PROOFING	FIN	FINISHED	HD	HEAD HEIGHT	LVR	LOUVER			QTR	QUARTER	SHW	SHEATHING		
AFF	ABOVE FINISHED FLOOR	CLC	CLEARANCE	DR	DOWN	FLX	FLEXIBLE	HTG	HEATING					QTR	QUARTER	SHW	SHEATHING		
AHU	AIR HANDLING UNIT	CLOS	CLOSET	DRB	DRAIN BOARD	FLJ	FLUSH JOINT	HVC	HEATING/VENTILATING/AIR CONDITIONING					QTR	QUARTER	SHW	SHEATHING		
AL	ALUMINUM	CLN	CLEARANCE	DS	DOWN SPOUT	FLS	FLASHING	HWD	HARDWOOD					QTR	QUARTER	SHW	SHEATHING		
ALUM	ALUMINUM	CLS	CLOSURE	DTL	DETAIL	FLO	FLOOR	HW	HOT WATER HEATER					QTR	QUARTER	SHW	SHEATHING		
ANC	ANCHOR (PAGE)	CMC	CONCRETE MASONRY UNIT	DWG	DRAWING	FLO	FLOOR	HW	HOT WATER HEATER					QTR	QUARTER	SHW	SHEATHING		
AND	AND	CNT	CONCRETE	DWR	DRAWER	FND	FOUNDATION	IBC	INSULATED BY CONTRACTOR					QTR	QUARTER	SHW	SHEATHING		
APROX	APPROXIMATE	CNT	CONCRETE	DWR	DRAWER	FND	FOUNDATION	IBC	INSULATED BY CONTRACTOR					QTR	QUARTER	SHW	SHEATHING		
ARCH	ARCHITECT(URAL)	CNT	CONCRETE	DWR	DRAWER	FND	FOUNDATION	IBC	INSULATED BY CONTRACTOR					QTR	QUARTER	SHW	SHEATHING		
ASB	ASBESTOS	CNT	CONCRETE	DWR	DRAWER	FND	FOUNDATION	IBC	INSULATED BY CONTRACTOR					QTR	QUARTER	SHW	SHEATHING		
ASPH	ASPHALT	CNT	CONCRETE	DWR	DRAWER	FND	FOUNDATION	IBC	INSULATED BY CONTRACTOR					QTR	QUARTER	SHW	SHEATHING		
AUTO	AUTOMATIC	CNT	CONCRETE	DWR	DRAWER	FND	FOUNDATION	IBC	INSULATED BY CONTRACTOR					QTR	QUARTER	SHW	SHEATHING		
A/V	AUDIO VISUAL	CNT	CONCRETE	DWR	DRAWER	FND	FOUNDATION	IBC	INSULATED BY CONTRACTOR					QTR	QUARTER	SHW	SHEATHING		
		CNT	CONCRETE	DWR	DRAWER	FND	FOUNDATION	IBC	INSULATED BY CONTRACTOR					QTR	QUARTER	SHW	SHEATHING		
		CNT	CONCRETE	DWR	DRAWER	FND	FOUNDATION	IBC	INSULATED BY CONTRACTOR					QTR	QUARTER	SHW	SHEATHING		
		CNT	CONCRETE	DWR	DRAWER	FND	FOUNDATION	IBC	INSULATED BY CONTRACTOR					QTR	QUARTER	SHW	SHEATHING		
		CNT	CONCRETE	DWR	DRAWER	FND	FOUNDATION	IBC	INSULATED BY CONTRACTOR					QTR	QUARTER	SHW	SHEATHING		
		CNT	CONCRETE	DWR	DRAWER	FND	FOUNDATION	IBC	INSULATED BY CONTRACTOR					QTR	QUARTER	SHW	SHEATHING		
		CNT	CONCRETE	DWR	DRAWER	FND	FOUNDATION	IBC	INSULATED BY CONTRACTOR					QTR	QUARTER	SHW	SHEATHING		
		CNT	CONCRETE	DWR	DRAWER	FND	FOUNDATION	IBC	INSULATED BY CONTRACTOR					QTR	QUARTER	SHW	SHEATHING		
		CNT	CONCRETE	DWR	DRAWER	FND	FOUNDATION	IBC	INSULATED BY CONTRACTOR					QTR	QUARTER	SHW	SHEATHING		
		CNT	CONCRETE	DWR	DRAWER	FND	FOUNDATION	IBC	INSULATED BY CONTRACTOR					QTR	QUARTER	SHW	SHEATHING		
		CNT	CONCRETE	DWR	DRAWER	FND	FOUNDATION	IBC	INSULATED BY CONTRACTOR					QTR	QUARTER	SHW	SHEATHING		
		CNT	CONCRETE	DWR	DRAWER	FND	FOUNDATION	IBC	INSULATED BY CONTRACTOR					QTR	QUARTER	SHW	SHEATHING		
		CNT	CONCRETE	DWR	DRAWER	FND	FOUNDATION	IBC	INSULATED BY CONTRACTOR					QTR	QUARTER	SHW	SHEATHING		
		CNT	CONCRETE	DWR	DRAWER	FND	FOUNDATION	IBC	INSULATED BY CONTRACTOR					QTR	QUARTER	SHW	SHEATHING		
		CNT	CONCRETE	DWR	DRAWER	FND	FOUNDATION	IBC	INSULATED BY CONTRACTOR					QTR	QUARTER	SHW	SHEATHING		
		CNT	CONCRETE	DWR	DRAWER	FND	FOUNDATION	IBC	INSULATED BY CONTRACTOR					QTR	QUARTER	SHW	SHEATHING		
		CNT	CONCRETE	DWR	DRAWER	FND	FOUNDATION	IBC	INSULATED BY CONTRACTOR					QTR	QUARTER	SHW	SHEATHING		
		CNT	CONCRETE	DWR	DRAWER	FND	FOUNDATION	IBC	INSULATED BY CONTRACTOR					QTR	QUARTER	SHW	SHEATHING		
		CNT	CONCRETE	DWR	DRAWER	FND	FOUNDATION	IBC	INSULATED BY CONTRACTOR					QTR	QUARTER	SHW	SHEATHING		
		CNT	CONCRETE	DWR	DRAWER	FND	FOUNDATION	IBC	INSULATED BY CONTRACTOR					QTR	QUARTER	SHW	SHEATHING		
		CNT	CONCRETE	DWR	DRAWER	FND	FOUNDATION	IBC	INSULATED BY CONTRACTOR					QTR	QUARTER	SHW	SHEATHING		
		CNT	CONCRETE	DWR	DRAWER	FND	FOUNDATION	IBC	INSULATED BY CONTRACTOR					QTR	QUARTER	SHW	SHEATHING		
		CNT	CONCRETE	DWR	DRAWER	FND	FOUNDATION	IBC	INSULATED BY CONTRACTOR					QTR	QUARTER	SHW	SHEATHING		
		CNT	CONCRETE	DWR	DRAWER	FND	FOUNDATION	IBC	INSULATED BY CONTRACTOR					QTR	QUARTER	SHW	SHEATHING		
		CNT	CONCRETE	DWR	DRAWER	FND	FOUNDATION	IBC	INSULATED BY CONTRACTOR					QTR	QUARTER	SHW	SHEATHING		
		CNT	CONCRETE	DWR	DRAWER	FND	FOUNDATION	IBC	INSULATED BY CONTRACTOR					QTR	QUARTER	SHW	SHEATHING		
		CNT	CONCRETE	DWR	DRAWER	FND	FOUNDATION	IBC	INSULATED BY CONTRACTOR					QTR	QUARTER	SHW	SHEATHING		
		CNT	CONCRETE	DWR	DRAWER	FND	FOUNDATION	IBC	INSULATED BY CONTRACTOR					QTR	QUARTER	SHW	SHEATHING		
		CNT	CONCRETE	DWR	DRAWER	FND	FOUNDATION	IBC	INSULATED BY CONTRACTOR					QTR	QUARTER	SHW	SHEATHING		
		CNT	CONCRETE	DWR	DRAWER	FND	FOUNDATION	IBC	INSULATED BY CONTRACTOR					QTR	QUARTER	SHW	SHEATHING		
		CNT	CONCRETE	DWR	DRAWER	FND	FOUNDATION	IBC	INSULATED BY CONTRACTOR					QTR	QUARTER	SHW	SHEATHING		
		CNT	CONCRETE	DWR	DRAWER	FND	FOUNDATION	IBC	INSULATED BY CONTRACTOR					QTR	QUARTER	SHW	SHEATHING		
		CNT	CONCRETE	DWR	DRAWER	FND	FOUNDATION	IBC	INSULATED BY CONTRACTOR					QTR	QUARTER	SHW	SHEATHING		
		CNT	CONCRETE	DWR	DRAWER	FND	FOUNDATION	IBC	INSULATED BY CONTRACTOR					QTR	QUARTER	SHW	SHEATHING		
		CNT	CONCRETE	DWR	DRAWER	FND	FOUNDATION	IBC	INSULATED BY CONTRACTOR					QTR	QUARTER	SHW	SHEATHING		
		CNT	CONCRETE	DWR	DRAWER	FND	FOUNDATION	IBC	INSULATED BY CONTRACTOR					QTR	QUARTER	SHW	SHEATHING		
		CNT	CONCRETE	DWR	DRAWER	FND	FOUNDATION	IBC	INSULATED BY CONTRACTOR					QTR	QUARTER	SHW	SHEATHING		
		CNT	CONCRETE	DWR	DRAWER	FND	FOUNDATION	IBC	INSULATED BY CONTRACTOR					QTR	QUARTER	SHW	SHEATHING		
		CNT	CONCRETE	DWR	DRAWER	FND	FOUNDATION	IBC	INSULATED BY CONTRACTOR					QTR	QUARTER	SHW	SHEATHING		
		CNT	CONCRETE	DWR	DRAWER	FND	FOUNDATION	IBC	INSULATED BY CONTRACTOR					QTR	QUARTER	SHW	SHEATHING		
		CNT	CONCRETE	DWR	DRAWER	FND	FOUNDATION	IBC	INSULATED BY CONTRACTOR					QTR	QUARTER	SHW	SHEATHING		
		CNT	CONCRETE	DWR	DRAWER	FND	FOUNDATION	IBC	INSULATED BY CONTRACTOR					QTR	QUARTER	SHW	SHEATHING		
		CNT	CONCRETE	DWR	DRAWER	FND	FOUNDATION	IBC	INSULATED BY CONTRACTOR					QTR	QUARTER	SHW	SHEATHING		
		CNT	CONCRETE	DWR	DRAWER	FND	FOUNDATION	IBC	INSULATED BY CONTRACTOR					QTR	QUARTER	SHW	SHEATHING		
		CNT	CONCRETE	DWR	DRAWER	FND	FOUNDATION	IBC	INSULATED BY CONTRACTOR					QTR	QUARTER	SHW	SHEATHING		
		CNT	CONCRETE	DWR	DRAWER	FND	FOUNDATION	IBC	INSULATED BY CONTRACTOR					QTR	QUARTER	SHW	SHEATHING		



## Orange County Convention Center West Phone Bank 1 – Signage, Advertising & Branding

9800 International Drive, Orlando FL 32819

100047844

No.	Date	Description

ISSUE LOG  
PROFESSIONAL SEALS:

SHEET TITLE:  
**REFLECTED CEILING PLAN**

SHEET INFORMATION:

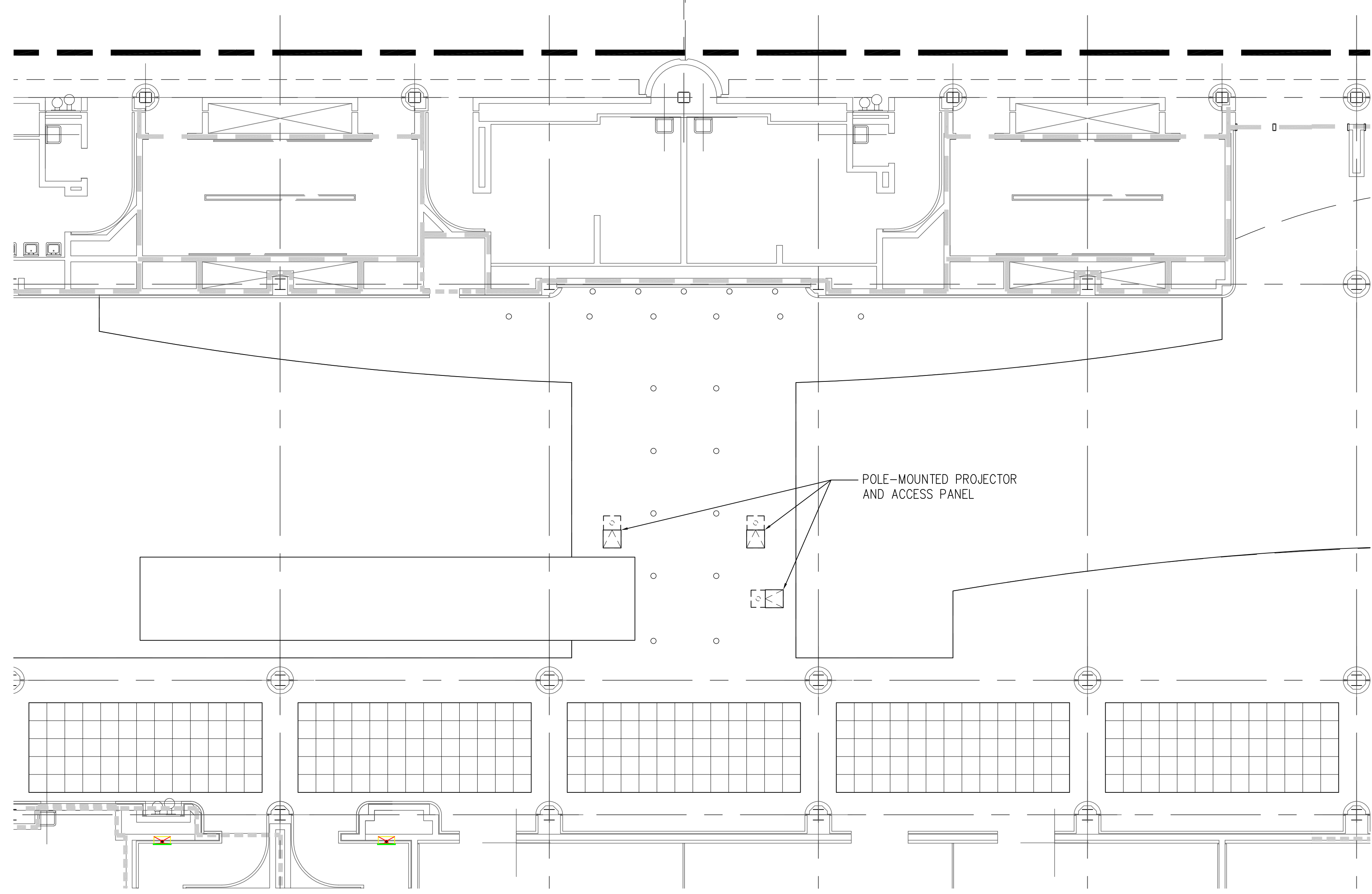
JOB No. <b>100047844</b>	Date Issued: DECEMBER 15, 2017
Designed By: CWS	Sheet Number:
Checked By:	<b>A121</b>
QC Review:	
Phase: 100% CD	

### CEILING SYMBOLS LEGEND

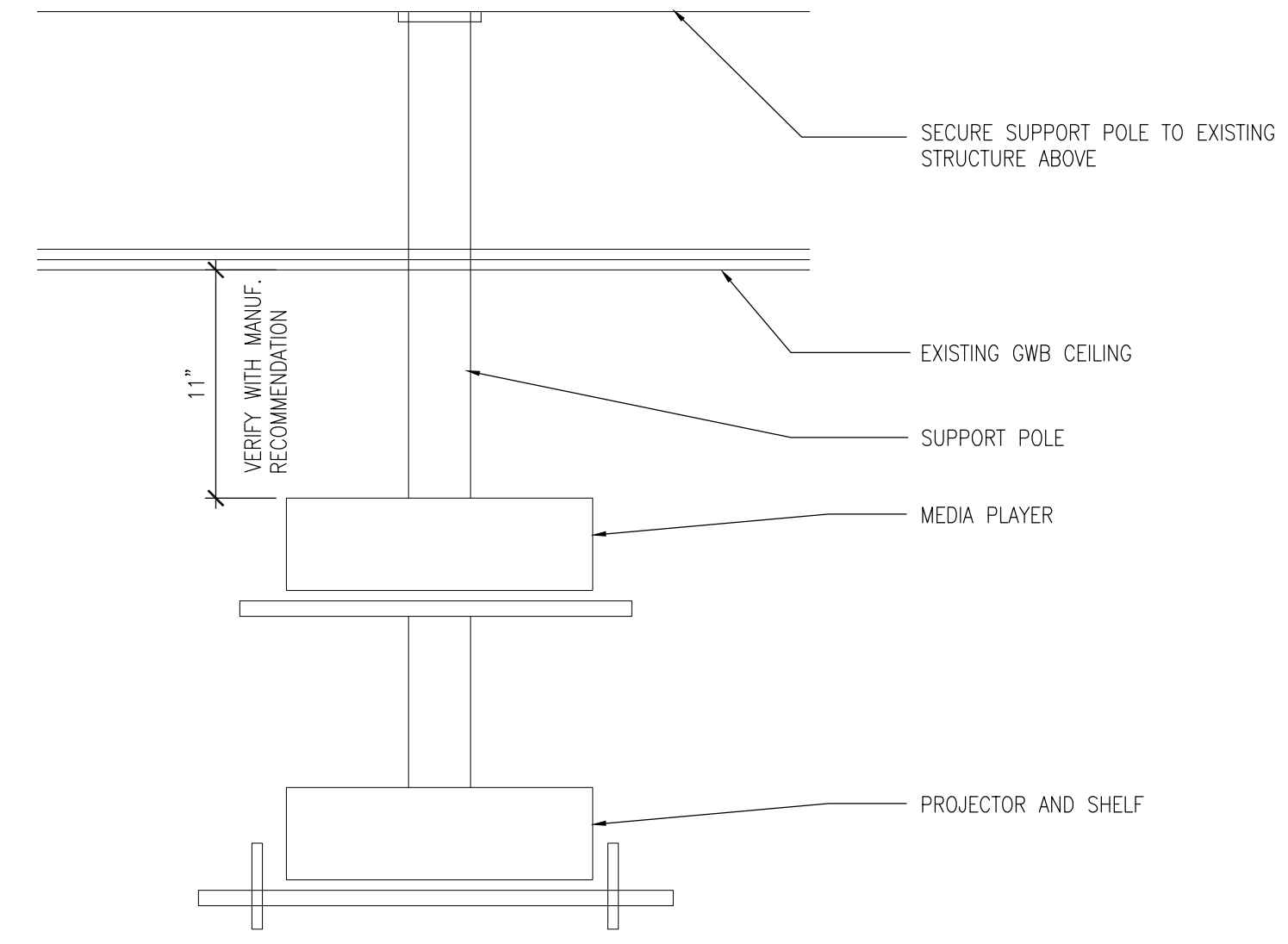
- EXISTING LIGHT FIXTURE TO REMAIN
- EXISTING SUPPLY DIFFUSER TO REMAIN
- EXISTING RETURN TO REMAIN
- EXISTING SPRINKLER HEAD TO REMAIN
- RELOCATED / NEW LIGHT FIXTURE, SEE ELEC.
- CEILING LED LIGHT FIXTURE
- SPRINKLER HEAD
- WALL EXIT SIGN LIGHT FIXTURE
- CEILING EXIT LIGHT
- WALL EMERGENCY BATTERY UNIT EQUIPMENT LIGHT FIXTURE
- EXHAUST FAN
- HVAC DIFFUSER
- HVAC RETURN AIR
- CEILING TILE AND GRID SYSTEM AS SCHEDULED

### GENERAL DEMOLITION NOTES

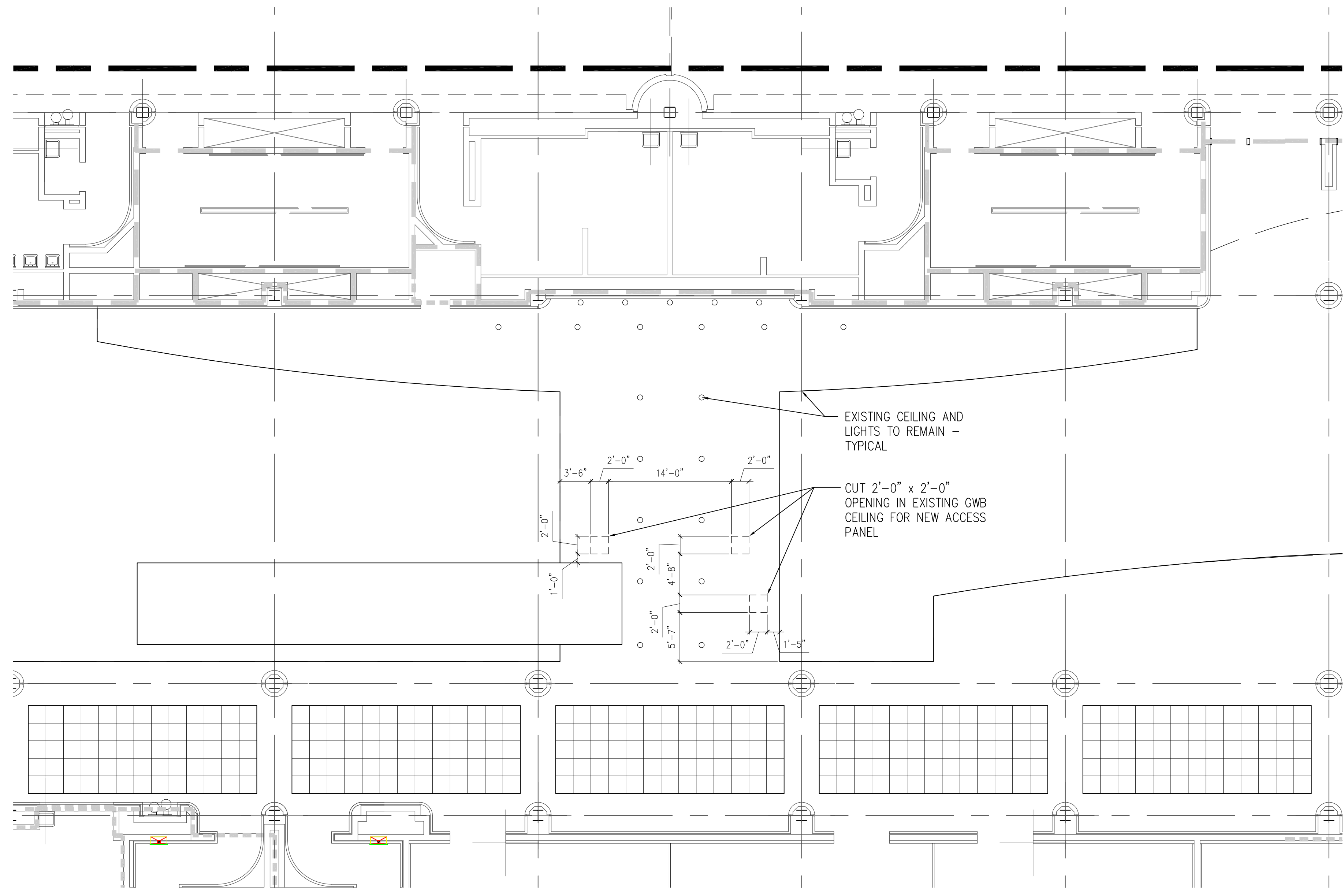
- A. DRAWINGS REPRESENT EXISTING CONDITIONS BASED ON LIMITED EXISTING AS-BUILD DRAWINGS AND SITE OBSERVATIONS. CONTRACTOR IS RESPONSIBLE FOR FIELD VERIFICATION OF ALL ACTUAL CONDITIONS AND DIMENSIONS.
- B. THE CONTRACTOR WILL BE PRESUMED TO HAVE INSPECTED THE SITE AND TO HAVE READ AND BE THOROUGHLY FAMILIAR WITH THE CONSTRUCTION DOCUMENTS AND SPECIFICATIONS. THE FAILURE OR OMISSION OF ANY CONTRACTOR TO EXAMINE ANY FORM, INSTRUMENT OR DOCUMENT SHALL IN NO WAY RELIEVE THE CONTRACTOR FROM ANY OBLIGATION IN RESPECT TO THIS PROJECT.
- C. THIS SHEET INDICATES GENERALLY WHERE DEMOLITION OF EXISTING CONSTRUCTION IS TO OCCUR. THE DEMOLITION SHOWN ON THIS SHEET IS NOT INTENDED TO LIMIT OR FULLY DEFINE THE SCOPE OF ITEMS TO BE REMOVED, NOR IS IT INTENDED TO REPRESENT ALL EXISTING FEATURES. THE CONTRACTOR SHALL BE RESPONSIBLE FOR SURVEYING THE AREA OF DEMOLITION IN ORDER TO BECOME FAMILIAR WITH EXISTING CONSTRUCTION WHERE DEMOLITION IS TO OCCUR. THE CONTRACTOR IS TO NOTIFY THE OWNER IN WRITING OF ANY CONFLICTING CONDITIONS AND DISCREPANCIES PRIOR TO START OF DEMOLITION.
- D. DEMOLITION DRAWINGS MAY NOT INDICATE ALL ITEMS TO BE REMOVED OR TO REMAIN. COORDINATE DEMOLITION OF WALLS, FLOORS, SLABS, EQUIPMENT, UTILITIES, ETC. AND ITEMS TO REMAIN WITH OTHER DISCIPLINES.
- E. CONTRACTOR SHALL VERIFY ALL UTILITIES (SHOWN OR NOT SHOWN ON CONSTRUCTION DOCUMENTS) THAT ARE TO REMAIN PRIOR TO DEMOLITION OR CUTTING INTO ANY WALL. PERMANENT PROCEDURES ARE TO BE MADE TO REROUTE OR BYPASS UTILITIES TO AVOID DISRUPTION OR SEVERING OF UTILITIES. CONTRACTOR SHALL NOT REQUEST ADDITIONAL CHARGES FOR SUCH UTILITIES THAT ARE CLEARLY VISIBLE (WITHOUT DEMOLITION).
- F. PRIOR TO START OF DEMOLITION THE CONTRACTOR SHALL SURVEY THE AREA OF DEMOLITION IN THE PRESENCE OF THE OWNER REPRESENTATIVE(S) TO IDENTIFY EXISTING ITEMS TO REMAIN, TO BE SALVAGED, TO BE REMOVED AND REINSTALLED DURING CONSTRUCTION, DAMAGED OR OTHERWISE NOT IN "LIKE NEW" CONDITION. THOSE ITEMS AND THEIR CONDITION ARE TO BE LISTED IN A "DAMAGE SURVEY" ACCEPTED BY BOTH OWNER AND CONTRACTOR.
- G. WHERE EXISTING WALL MOUNTED DEVICES, FIXTURES, EQUIPMENT, ETC ARE SCHEDULED TO BE REMOVED, STORED AND REINSTALLED DURING CONSTRUCTION, CONTRACTOR SHALL COORDINATE STORAGE WITH OWNER AND SHALL PROTECT THOSE ITEMS FROM DAMAGE DURING CONSTRUCTION.
- H. PARTITIONS TO BE REMOVED SHALL BE REMOVED ENTIRELY, INCLUDING STUD BRACING, ETC. TO THE BOTTOM OF STRUCTURE, UNO.
- I. CONTRACTOR IS TO PROVIDE ALL PERMITS AND COMPLY WITH ALL APPLICABLE ORDINANCES, REGULATIONS AND CODES IN THE REMOVAL AND DISPOSAL OF MATERIAL. DISPOSAL OF ALL RUBBISH AND DEBRIS IS TO BE IN AN ENVIRONMENTALLY SAFE MANNER IN ACCORDANCE WITH ALL APPLICABLE LOCAL CODES AND JURISDICTIONS.



**2 REFLECTED CEILING PLAN**  
SCALE: 1/8"=1'-0"



**3 PROJECTOR DETAIL**  
SCALE: 1 1/2"=1'-0"



**1 DEMO. REFLECTED CEILING PLAN**  
SCALE: 1/8"=1'-0"

CONSULTANT:

CLIENT:



PROJECT NAME:

## Orange County Convention Center West Phone Bank 1 - Signage, Advertising & Branding

9800 International Drive, Orlando FL 32819  
100047844

### RECEPTACLES

- ⊕ SINGLE RECEPTACLE, 2P, 3W, GROUNDING TYPE, 20A, 125V, NEMA-5-20R, MOUNT 18" A.F.F.
- ⊕ DUPLEX RECEPTACLE, 2P, 3W, GROUNDING TYPE, 20A, 125V, NEMA 5-20R, MOUNT 18" A.F.F. U.O.N.
- ⊕ DUPLEX RECEPTACLE - SAME AS ABOVE EXCEPT WITH INTEGRAL GROUND FAULT CIRCUIT INTERRUPTER.
- ⊕ DUPLEX CONVENIENCE RECEPTACLE - SAME AS ABOVE EXCEPT WITH 2-FLAP, SPRING-HINGED, GASKETED AND WEATHERPROOF COVER.
- ⊕ DOUBLE DUPLEX RECEPTACLE IN ONE OUTLET BOX, 2P, 3W, GROUNDING TYPE, 20A, 125V, NEMA 5-20R, MOUNT 18" A.F.F. U.O.N.

### BOXES AND FITTINGS

- ⊕ CEILING OR FLOOR MOUNTED JUNCTION BOX
- ⊕ WALL MOUNTED JUNCTION BOX
- ⊕ FLEXIBLE CONNECTION TO EQUIPMENT
- ⊕ PULLBOX, SIZED AS INDICATED OR AS REQUIRED BY N.E.C.

### SWITCHES

- 3SW 20A, MANUAL MOTOR STARTER TOGGLE SWITCH WITH PILOT LIGHT AND WITHOUT OVERLOADS. 3 = NUMBER OF POLES.
- SW 20A, MOTOR RATED SWITCH.
- 60 NON-FUSED SAFETY SWITCH, 3 = NO. OF POLES, 60 = SWITCH SIZE, 600 V, UNLESS OTHERWISE NOTED.
- 3 60 FUSED SAFETY SWITCH, 3 = NO. OF POLES, 60 = SWITCH SIZE, 50 = FUSES SIZE, 600 V, UNLESS OTHERWISE NOTED.
- ⊕ INTEGRAL DISCONNECT SWITCH.

### POWER DISTRIBUTION MOTORS AND CONTROL

- ⊕ POWER OR LIGHTING CIRCUIT BREAKERS PANEL SURFACE MOUNTED ON WALL, SIZE AS INDICATED. DASHED LINE INDICATES REQUIRED CLEARANCE.
- ⊕ MOTOR. WHEN SHOWN, NUMBER INSIDE INDICATES HORSEPOWER.
- ⊕ GENERATOR-SIZE AS INDICATED
- ⊕ DRY TYPE TRANSFORMER, SIZE AS INDICATED

### WIRING

- A-1 SINGLE CIRCUIT HOMERUN TO PANEL WITH MINIMUM OF 2 #12AWG CIRCUIT WIRES AND 1 #12AWG GROUND WIRE IN A 3/4" CONDUIT, U.O.N.; "A" INDICATES PANEL DESIGNATION, NUMBER INDICATES CIRCUIT DESIGNATION.
- A-1,3,5 MULTIPLE CIRCUITS HOMERUN TO PANEL WITH MINIMUM OF 2 #12AWG WIRES PER CIRCUIT AND 1 #12AWG GROUND WIRE IN A 3/4" CONDUIT, U.O.N.; "A" INDICATES PANEL DESIGNATION, NUMBERS SEPARATED BY COMAS INDICATE INDIVIDUAL CIRCUIT DESIGNATIONS.

### TELEPHONE/DATA/COMMUNICATION

- ⊕ WIDE SCREEN LASER PROJECTOR
- ⊕ NETWORK COMMUNICATIONS RACK

### FIRE ALARM

- ⊕ FIRE ALARM MANUAL PULL STATION, 48" A.F.F.
- ⊕ FIRE ALARM HORN, 84" A.F.F.
- ⊕ FIRE ALARM STROBE LIGHT, 84" A.F.F.
- ⊕ FIRE ALARM STROBE LIGHT, CEILING MOUNTED.
- ⊕ FIRE ALARM COMBINATION HORN WITH STROBE LIGHT, 84" A.F.F.
- ⊕ FIRE ALARM COMBINATION SPEAKER WITH STROBE LIGHT, 84" A.F.F.
- ⊕ FIRE ALARM COMBINATION SPEAKER WITH STROBE LIGHT, CEILING MOUNTED
- ⊕ FIRE ALARM GONG (BELL).
- ⊕ SMOKE DETECTOR, IONIZATION TYPE. "T" DENOTES MOUNTED UNDER RAISED FLOOR.
- ⊕ DUCT MOUNTED, IONIZATION TYPE SMOKE DETECTOR "S" DENOTES SUPPLY, "R" DENOTES RETURN AIR GRILL.
- ⊕ FIRE ALARM CONTROL PANEL
- ⊕ FIRE ALARM VOICE PANEL
- ⊕ FIRE ALARM ANNUNCIATOR PANEL

### ABBREVIATIONS

- A AMPERES
- A.F.F. ABOVE FINISHED FLOOR
- A.H.J. AUTHORITY HAVING JURISDICTION
- A.I.C. AMPERES INTERRUPTING CAPACITY, SYMMETRICAL
- C.B. CIRCUIT BREAKER
- CD CANDELA
- CKT. CIRCUIT
- COND., C. CONDUIT
- DISC. DISCONNECT
- EMERG. EMERGENCY
- GFI GROUND FAULT INTERRUPTER
- GND, G. GROUND
- GRS GALVANIZED RIGID STEEL CONDUIT
- HACR HEATING, AIR CONDITIONING, AND REFRIGERATION
- HP HORSE POWER
- KW KILOWATT
- NEC NATIONAL ELECTRICAL CODE
- PNL PANELBOARD
- PVC POLYVINYL CHLORIDE CONDUIT
- SP SPARE CONDUIT
- SW SWITCH
- U.O.N. UNLESS OTHERWISE NOTED
- XMR TRANSFORMER
- WP INDICATES WEATHERPROOF EQUIPMENT

### GENERAL NOTES

1. THE WORK PRACTICES EMPLOYED ON THIS PROJECT SHALL AT ALL TIMES COMPLY WITH OR EXCEED THE LATEST ADOPTED EDITION OF THE NEC (NATIONAL ELECTRICAL CODE). CONTRACTOR SHALL PROVIDE OR OBTAIN ALL REQUIRED LABOR, MATERIAL, EQUIPMENT, INSURANCE, TOOLS, PERMITS, INSPECTIONS, ETC. TO PERFORM THE PROJECT ELECTRICAL WORK AS PER NEC, LOCAL AGENCIES, AND OWNER REQUIREMENTS.
2. A COPPER EQUIPMENT GROUNDING CONDUCTOR, SIZED AS PER TABLE 250-22 OF THE 2011 OR LATEST ADOPTED NEC, SHALL BE INSTALLED IN EVERY RACEWAY AND EFFECTIVELY TERMINATED AT EACH DEVICE, UNLESS NOTED OTHERWISE. MINIMUM WIRE SIZE FOR PHASE, NEUTRAL AND GROUND SHALL BE #12AWG AND MINIMUM CONDUIT SIZE SHALL BE 3/4".
3. CONDUCTORS #8AWG AND LARGER SHALL BE STRANDED COPPER, #10AWG AND SMALLER SHALL BE SOLID COPPER TYPE THHN/THWN-2 UNLESS NOTED OTHERWISE.
4. PROVIDE JUNCTION BOXES PER NEC REQUIREMENT ACCORDING TO THEIR LOCATION.
5. PROVIDE REQUIRED RACEWAY FOR PROJECTOR, MEDIA PLAYER AND NETWORK CABLING AS REQUIRED, FIELD COORDINATE WITH OTHER TRADES.
6. CONTRACTOR SHALL BE RESPONSIBLE FOR ANY CUTTING AND PATCHING REQUIRED TO PERFORM THE ELECTRICAL WORK. OWNER SHALL BE NOTIFIED BEFORE STARTING ANY CUTTING AND PATCHING, AND WORK SHALL BE DONE IN SUCH A MANNER THAT WILL NOT AFFECT THE BUILDING STRUCTURE. CONTRACTOR SHALL BE RESPONSIBLE FOR ANY DAMAGE AS A RESULT OF THE CUTTING AND PATCHING AND SHALL PROVIDE A CODE COMPLIANT SOLUTION TO RESTORE THE AFFECTED SYSTEMS AT NO EXTRA CHARGE.
7. CONTRACTOR SHALL FOLLOW OWNER, NATIONAL AND LOCAL AGENCIES, ETC. SAFETY REGULATIONS AND PROCEDURES. CONTRACTOR SHALL PROVIDE ADEQUATE EQUIPMENT AND WORKING AREA PROTECTION TO PREVENT INJURIES TO PEOPLE AND DAMAGE TO PROPERTY.
8. FULLY TEST ALL ELECTRICAL SYSTEMS UPON COMPLETION OF WORK.
9. IT IS THE BIDDER'S RESPONSIBILITY TO INSPECT THE PROJECT SITE AND CONSTRUCTION DOCUMENTS PRIOR TO BIDDING. FAILURE TO DO SO SHALL NOT RELIEVE THE CONTRACTOR TO COMPLY AND PERFORM HIS/HER WORK RESPONSIBILITIES UNDER THIS CONTRACT.
10. LABEL EACH JUNCTION BOXES WITH SOURCE PANEL AND CIRCUIT NUMBER.
11. VERIFY PHASE ROTATION ON ALL THREE-PHASE EQUIPMENT (DISCONNECTS, RECEPTACLES, ETC.)
12. COORDINATE FINAL CONDUITS ROUTING AND LOCATION WITH EXISTING DUCTWORK, LIGHTING, FIRE PROTECTION, SMOKE DETECTORS, ETC.
13. CONTRACTOR SHALL EMPLOY THE SERVICES OF AN EPSON CERTIFIED CONTRACTOR FOR PROJECTOR INSTALLATION AS SHOWN ON DRAWINGS. CONTRACTOR SHALL VERIFY FINAL PROJECTOR MOUNTING HEIGHT AND LOCATION WITH EPSON CERTIFIED REPRESENTATIVE.

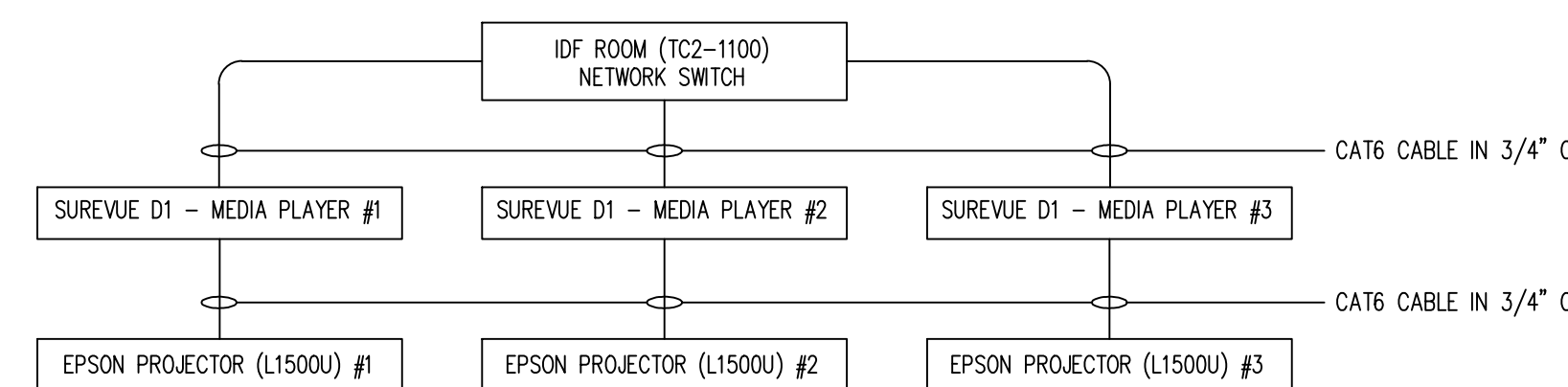
NOTE: NOT ALL SYMBOLS APPLY TO THE PROJECT.

E = EXISTING N = NEW	EQUIVALENT TO: TYPE: MOUNTING: A.I.C.	PANEL: 2AL7 (EXISTING)										VOLTAGE: MAIN BUS: NEUTRAL: MAIN: GROUND BUS:	208/120V 400A 100% 400A MCB YES	E = EXISTING N = NEW
		DESCRIPTION	PHASE A KVA	PHASE B KVA	PHASE C KVA	POLE	TR	CKT NO	TR	POLE	PHASE A KVA			
E	RECEPTACLES	1.00				3	30	1	2	20	1	1.00	RECEPTACLES	E
E	EDF		1.00			-	-	3	4	20	1	1.00	EDF	E
E	RECEPTACLES	1.00				1	20	7	8	20	3	1.00	RECEPTACLES	E
E	EDF		1.00			1	20	9	10	-	-	1.00	EDF	E
E	RECEPTACLES	1.00				3	20	13	14	30	3	1.00	RECEPTACLES	E
E	EDF		1.00			-	-	15	16	-	-	1.00	EDF	E
E	RECEPTACLES	1.00				1	20	17	18	-	-	1.00	RECEPTACLES COLUMN A4	E
E	RECEPTACLES	1.00				1	20	21	22	20	1	1.00	RECEPTACLES	E
E	RECEPTACLES TELE			1.00		1	20	23	24	20	1	1.00	RECEPTACLES	E
E	ROLLING GRILLE	1.00				1	20	25	26	60	3	1.00	RECEPTACLE PLUG	E
E	SIGNAGE LOCATION 6		1.00			1	20	19	20	20	1	1.00	RECEPTACLE PLUG	E
N	PROJECTOR #1			0.98		1	20	29	30	-	-	1.00	PROJECTOR MOUNT ACCESSORY AS MANUFACTURED BY CHIEF MODEL #CMS TYPE 1.5 INCH NPT.	N
E	RECEPTACLES	1.00				3	30	31	32	100	3	1.00	RECEPTACLE PLUG	E
E	EDF		1.00			-	-	33	34	-	-	1.00	EDF	E
E	EDF					-	-	35	36	-	-	1.00	EDF	E
N	PROJECTOR #2 ***	0.98				1	20	37	38	20	1	0.98	PROJECTOR #2 ***	N
E	SIGNAGE LOCATION 6		1.00			1	20	39	40	20	1	1.00	AV EQUIPMENT LOCATION 6,7	E
E	SIGNAGE LOCATION 7		1.00			1	20	41	42	20	1	1.00	SIGNAGE LOCATION 7	E
CONNECTED LOAD		6.98	7.00	6.98								6.98	7.00	CONNECTED LOAD
PHASE A		13.95	KVA									41.93	KVA	
PHASE B		14.00	KVA									116.39	AMPS	
PHASE C		13.98	KVA											
TOTAL CONNECTED LOAD		41.93	KVA											

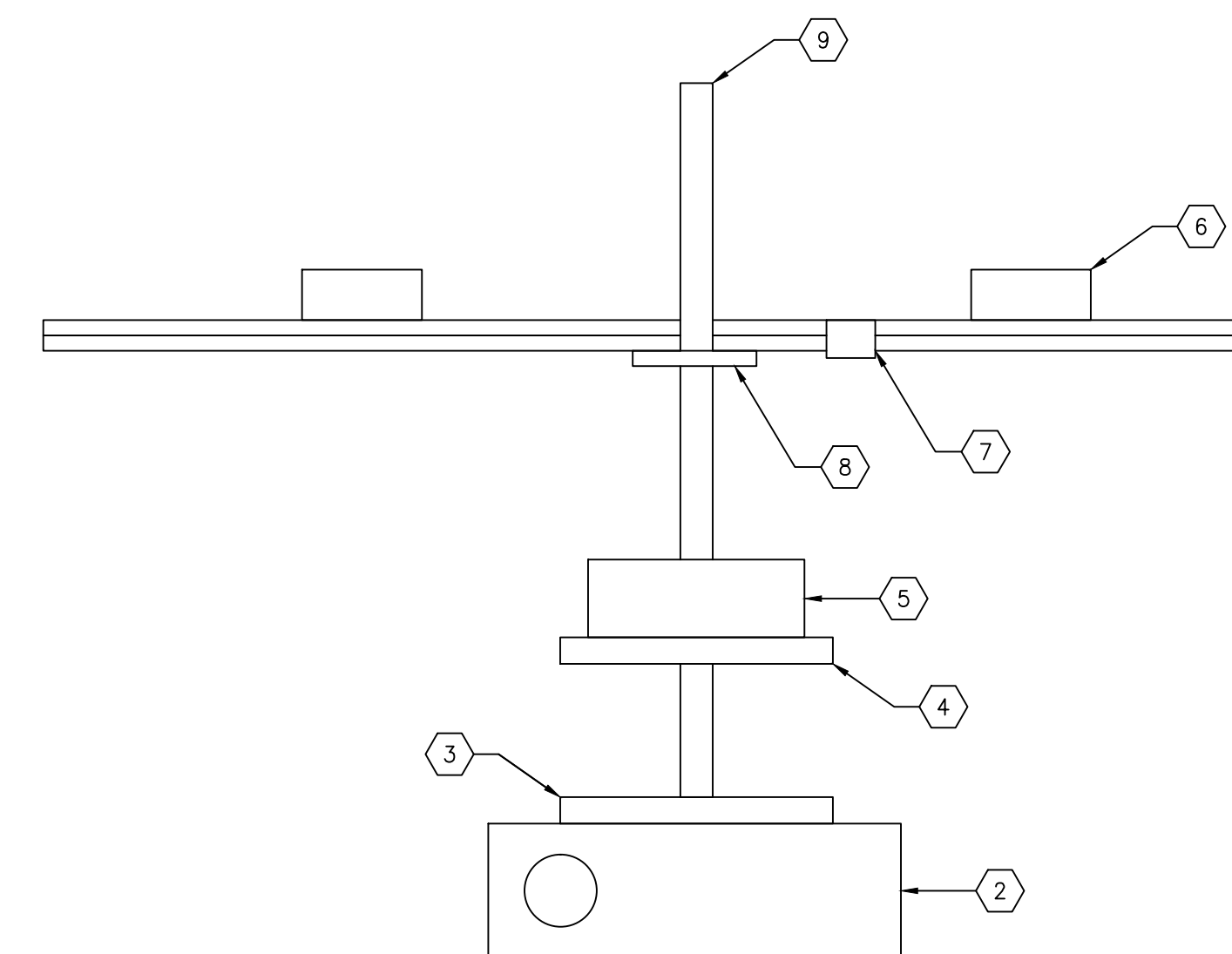
\*\*\* NOTE: RUN INDEPENDENT NEUTRALS FOR THESE CIRCUITS

### KEYED NOTES

1. PROVIDE NEW 1P, 20A CIRCUIT BREAKER IN EXISTING SPACE. MATCH EXISTING PANEL BREAKER TYPE AND AIC RATING.
2. EPSON WIDE SCREEN PROJECTOR MODEL #L1500U (PROVIDED BY OWNER).
3. HEAVY DUTY PROJECTOR MOUNT AS MANUFACTURED BY CHIEF MODEL #VOMUM.
4. MEDIA PLAYER SHELF FOR POLE MOUNT AS MANUFACTURED BY CHIEF MODEL #PAC102B.
5. MEDIA PLAYER SUREVIEW MODEL #D1 (PROVIDED BY OWNER).
6. EXISTING STRUCTURAL FRAMING SYSTEM.
7. FIELD COORDINATE DUPLEX RECEPTACLE INSTALLATION TO ALLOW PROJECTOR AND MEDIA PLAYER POWER CORDS TO REACH OUTLET.
8. CONTRACTOR TO COORDINATE PROJECTOR MOUNT CEILING PLATE INSTALLATION WITH EXISTING STRUCTURAL FRAMING SYSTEM. ADDITIONAL LIGHT GAUGE FRAMING MAY BE REQUIRED. PROJECTOR MOUNT CEILING PLATE AS MANUFACTURED BY CHIEF MODEL #CMA 110.
9. PROJECTOR MOUNT POLE ACCESSORY AS MANUFACTURED BY CHIEF MODEL #CMS TYPE 1.5 INCH NPT.



NETWORK COMMUNICATIONS RISER DIAGRAM



PROJECTOR AND MEDIA PLAYER MOUNT DETAIL

No. Date Description

ISSUE LOG

PROFESSIONAL SEALS:

ANGEL E. LORENZO, P.E.  
FLORIDA REG NO. 31137

SHEET TITLE:

### ELECTRICAL LEGEND

SHEET INFORMATION:

JOB No. **100047844** Date Issued: DECEMBER 15, 2017  
 Designed By: JP Sheet Number:  
 Checked By: JP  
 QC Review: AEL  
 Phase: 100% CD

## E-001

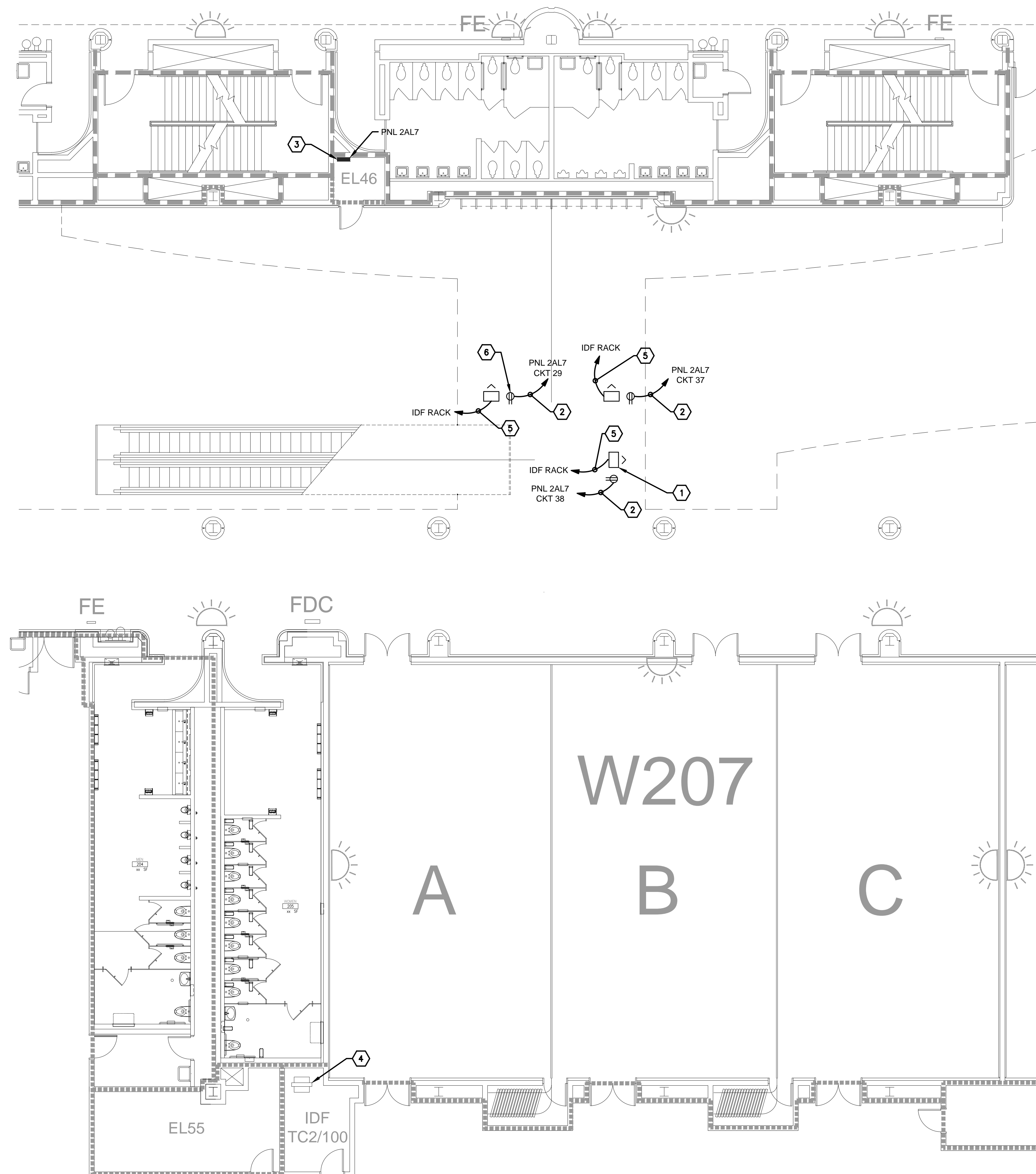
CONSULTANT:

CLIENT:



PROJECT NAME:

**Orange County Convention Center  
West Phone Bank 1 – Signage, Advertising & Branding**  
9800 International Drive, Orlando FL 32819  
100047844



- KEYED NOTES:**
- 1 NEW WIDE SCREEN EPSON LASER PROJECTOR (TYPICAL OF 3).
  - 2 PROVIDE 2 #12 + 1 #12 GND IN 3/4" C.
  - 3 EXISTING 120/208V, 3PH PANEL 2AL7 LOCATED AT ELECTRICAL ROOM EL46.
  - 4 EXISTING NETWORK COMMUNICATION RACK LOCATED AT IDF ROOM TC2/100.
  - 5 PROVIDE A CAT6 CABLE IN A 3/4" C TO IDF ROOM TC2/100 NETWORK RACK.
  - 6 COORDINATE DUPLEX RECEPTACLE LOCATION WITH PROJECTOR AND MEDIA PLAYER MANUFACTURER POWER CORD LENGTH (TYPICAL OF 3).

**A ELECTRICAL NEW PLAN**  
SCALE: 1/8" = 1'-0"

No.	Date	Description

ISSUE LOG  
PROFESSIONAL SEALS:

ANGEL E. LORENZO, P.E.  
FLORIDA REG NO. 31137

SHEET TITLE:

**ELECTRICAL NEW PLAN**

SHEET INFORMATION:

JOB No. <b>100047844</b>	Date Issued: DECEMBER 15, 2017
Designed By: JP	Sheet Number:
Checked By: JP	<b>E-101</b>
QC Review: AEL	
Phase: 100% CD	