

October 28, 2014

**BOARD OF COUNTY COMMISSIONERS
ORANGE COUNTY, FLORIDA
ADDENDUM NO. 2 / IFB NO. Y15-715-PH**

VISTANA WATER TREATMENT PLANT ROOF REPLACEMENT

BID OPENING DATE: November 13, 2014

A. The Bid Opening is changed to November 13, 2014 at 2:00 P.M.

B. Questions and Answer:

a. Photos can be located thru the following link:

C. Technical Specifications

a. Section 01005 Administrative Provisions:

- i. Part 1.01, Item A. – Remove Reference to “and HVAC” in the sentence.
- ii. Part 1.03, Item C – Remove Reference to “Mechanical and” in the sentence.

b. Section 01010 Summary of Work:

- i. Part 1.3, Item A – Remove Reference to “and HVAC” from sentence.
- ii. Part 1.3, Item C – Remove Reference to “Mechanical and” from sentence.

c. Section 01027 Payment Application:

- i. Part 1.03, Item C – Remove Reference to “Mechanical” from sentence.
- ii. Part 1.03, Remove Entire Reference “I” and “J”

d. Section 01040 Administrative Requirements & Project Coordination:

- i. Part 1.2, Item C – Remove Reference to “Mechanical” from sentence.
- ii. Part 1.3, Item E, Remove Entire Sentence.
- iii. Part 3.02, Item C – Remove reference to “mechanical and” from sentence.

e. Section 01045 Cutting and Patching:

- i. Part 1.02, Item A; note 1 – Remove reference to “mechanical and” from sentence.

- ii. Part 1.04, Item C; note 1 – Remove Entire Reference “h”.
 - iii. Part 3.01, Item A; note 1 – Remove reference to “mechanical and” from sentence.
- f. Section 01400 Quality Control Services:
 - i. Part 1.09, Item A – Remove Entire Sentence
 - g. Section 01700 Project Close-out Requirements:
 - i. Part 3.01, Item A – Remove Entire Reference “13”.
 - ii. Part 3.03, Item B; note 1D – Remove Reference “...in preparation to receive new HVAC equipment”.
 - h. Section 02070 Selective Demolition:
 - i. Part 1.2, Item A, note 3 – Remove reference to “mechanical and” from sentence.
 - ii. Part 1.5, Item B – Remove reference to “mechanical and” from sentence.

D. Drawings

- a. Detail 6.02 – Conduit with Sensor Coping Penetration Detail, Shall be included with the Details.

E. Attachments

- a. Detail 6.02

E. ACKNOWLEDGEMENT OF ADDENDA

- a. The Proposer shall acknowledge receipt of this addendum by completing the applicable section in the solicitation or by completion of the acknowledgement information on the addendum. Either form of acknowledgement must be completed and returned not later than the date and time for receipt of proposal.

All other terms, conditions and specifications remain the same.

Receipt acknowledged by:

Authorized Signature

Date Signed

Title

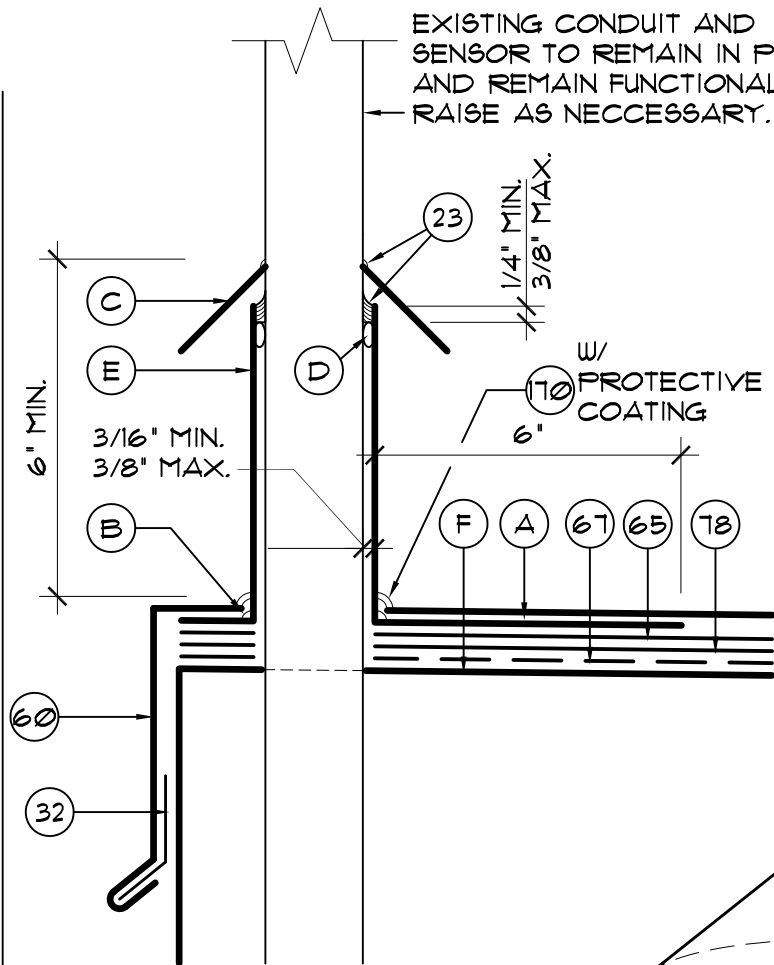
Name of Firm

ACAD FILE # 14021.00-602

DATE: ..

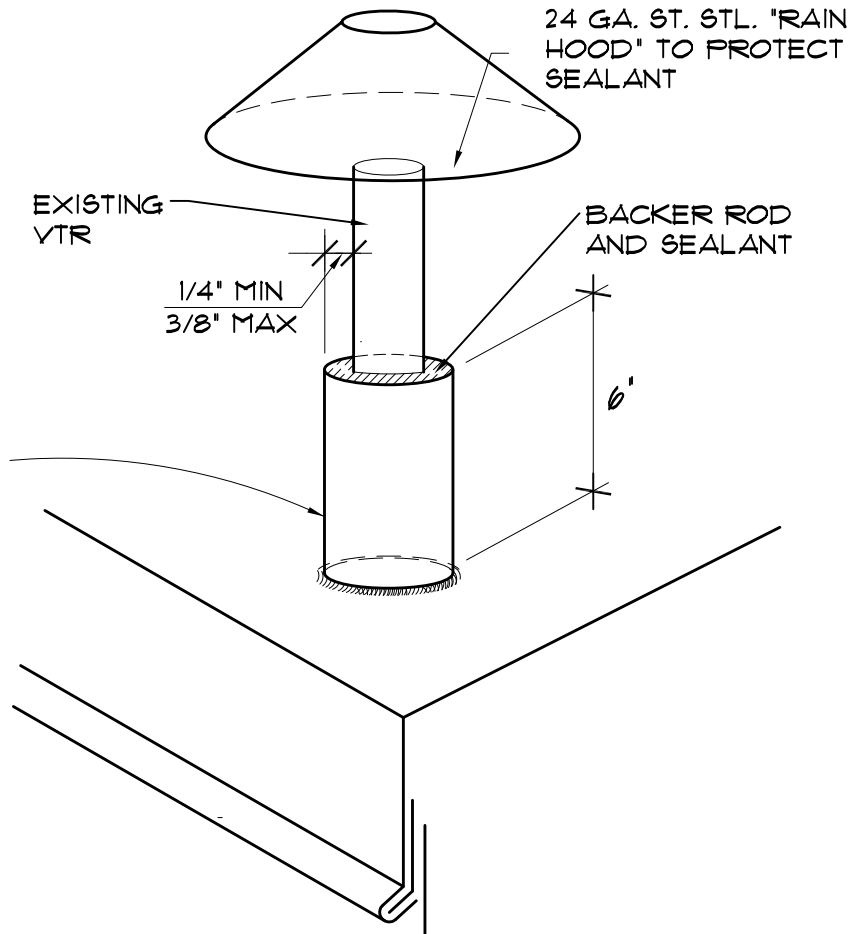
PLOT SCALE : 3" = 1'-0"

PROJECT NUMBER: 14021.00



- 32. CONTINUOUS CLEAT
- 60. PARAPET CAP-SEE DET. (3.01)
- 65. MODIFIED BITUMEN CAP SHEET
- 67. VENTED BASE SHEET
- 78. 2-MOD. BIT. INTERPLY SHEETS
- A. METAL FLANGE
- B. PRESOLDERED SEAM
- C. METAL SEALANT COVER - FRICTION FIT IN FIELD
- D. BACKER ROD
- E. S.B.C. INDUSTRIES, MODEL P/D OR C/D SERIES 24 GA. S/S PIPE FLASHING OR APPROVED EQUAL (TWO-PIECE SPLIT FLASHING SYSTEM-FIELD SOLDER ALL SEAMS)
- F. 16 GA. G90 GALV. METAL BLOCKING - SEE DETAIL (3.01)

24 GA. ST. STL. COLLAR FLASHING - SIM. TO DETAIL (6.01) - SOLDER TO ST. STL. CURB CAP



A/R/C Associates Incorporated

601 NORTH FERN CREEK AVENUE SUITE 100
 ORLANDO, FLORIDA 32803-4899
 TEL. (407)896-7875 FAX (407)898-6043

TITLE CONDUIT WITH SENSOR COPING PENETRATION DETAIL

SCALE 3" = 1'-0"

